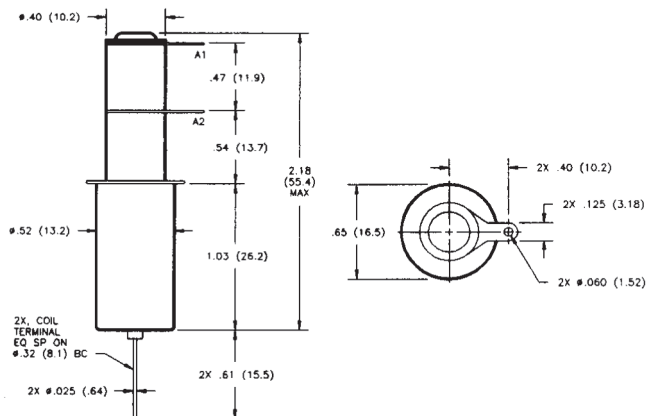


### K43 Series Make & Break Load Switching — 10 kV Relays

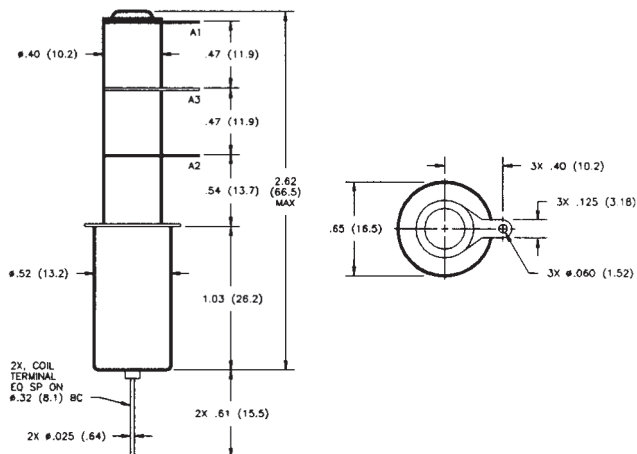
#### K43A and K43B Product Facts for K43A and K43B

- 10 kV, 25 Amps continuous current relay
- RF ratings to 32 MHz
- Vacuum dielectric for power switching low current loads
- 2 million cycle mechanical life
- QPL versions available, M83725/17 & M83725/10



#### K43C Product Facts for K43C

- SPDT version of K43
- Vacuum dielectric for power switching low current loads
- Flange mounting available
- Carries 10 Amps at 32 MHz
- Meets requirements of MIL-R-83725
- QPL version available, M83725/16



For factory-direct application assistance, dial 800-253-4560, ext. 2055, or 805-220-2055.

#### Product Specifications for K43A, K43B and K43C

##### Contact Arrangement —

- K43A — SPST-NO
- K43B — SPST-NC
- K43C — SPDT

##### Contact Form —

- K43A — A
- K43B — B
- K43C — C

**Test Voltage, DC or 60 Hz (Peak)** — 11 kV

**Rated Operating Voltage (Peak)** —  
DC or 60 Hz — 10 kV  
2.5 MHz — 7 kV  
16 MHz — 6 kV  
32 MHz — 4 kV

**Continuous Carry Current, Max.** —  
DC or 60 Hz — 25 A  
2.5 MHz — 20 A  
16 MHz — 13 A  
32 MHz — 10 A  
Coil Hi-Pot (Vrms, 60 Hz) — 500 A

**Contact Capacitance** —  
Between Open Contacts — 1.2 pF  
Open Contacts to Ground — 1.2 pF

**Contact Resistance, Max.** — 0.02 ohm

**Operate Time, Max.** — 10 ms

**Release Time, Max.** — 10 ms

**Shock, 11ms, 1/2 Sine (Peak)** — 50 g

**Vibration** —  
Peak — 10 g (55 to 2000 Hz)

**Operating Ambient Temperature Range** — -55°C to +125°C

**Mechanical Life** — 2 million cycles

**Weight, Nominal** — 28.35 g (1 oz.)

**\*See page 7-87 for turret terminal dimensions and mounting methods.**

#### Coil Data

Volts, Nominal DC	12 V	26.5 V	115 V
Pickup, Max.	8 Vdc	16 Vdc	80 Vdc
Dropout	.5-5 Vdc	1-10 Vdc	5-50 Vdc
Coil Resistance ( $\pm 10\%$ )	70 $\Omega$	290 $\Omega$	4700 $\Omega$

Ratings listed are for 25°C, sea level conditions

#### Ordering Information

**Sample Part Number** ▶

**K43 A 3 3 4**

**Series:** \_\_\_\_\_

**Contact Form:** \_\_\_\_\_

A = SPST-NO      B = SPST-NC      C = SPDT

**Coil Voltage:** \_\_\_\_\_

2 = 12 Vdc, Bus Wire      3 = 26.5 Vdc, Bus Wire  
5 = 115 Vdc, Bus Wire      7 = 12 Vdc, Turret Terminal\*  
8 = 26.5 Vdc, Turret Terminal\*  
9 = 115 Vdc, Turret Terminal\*

**High Voltage Connections:** \_\_\_\_\_

3 = Solder Connection

**Mounting\*:** \_\_\_\_\_

2 = Flanged

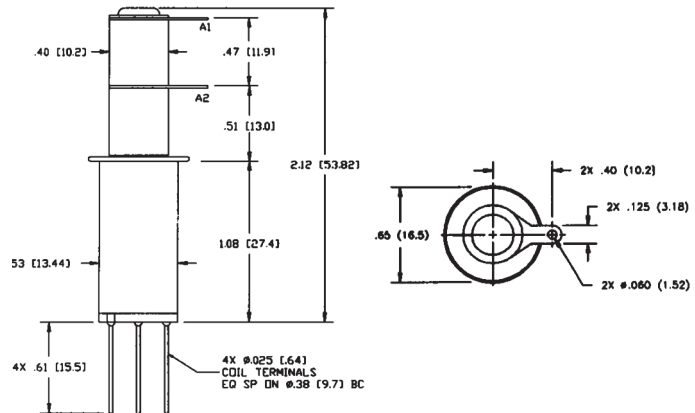
4 = Standard

**K43 Series Make & Break Load Switching — 10 kV Relays** (Continued)

**KILOVAC K43P  
Make & Break Load  
Switching**

**Product Facts for K43P**

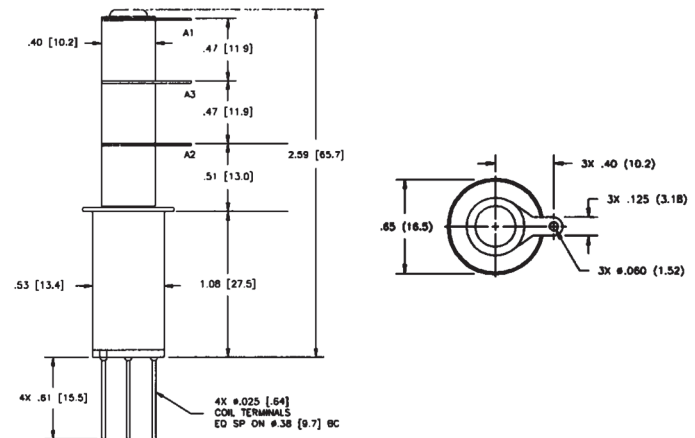
- High power rating; 24 Amps DC continuous current carry
- Vacuum dielectric for power switching low current loads
- Low power consumption
- Fast operating: 5 millisecond operate time
- Meets requirements of MIL-R-83725



**KILOVAC K43R  
Make & Break Load  
Switching**

**Product Facts for K43R**

- Single pole, double throw contacts with latching actuator
- Vacuum dielectric for power switching low current loads
- Carries 6 Amps at 32 MHz
- Meets requirements of MIL-R-83725



**Product Specifications for K43P and K43R**

**Contact Arrangement** —  
K43P — SPST-Latching  
K43R — SPDT-Latching

**Contact Form** —  
K43P — P  
K43R — R

**Test Voltage, DC or 60 Hz (Peak)** —  
11 kV

**Rated Operating Voltage (Peak)** —  
DC or 60 Hz — 10 kV  
2.5 MHz — 7 kV  
16 MHz — 6 kV  
32 MHz — 4 kV

**Continuous Carry Current, Max.** —  
DC or 60 Hz — 24 A  
2.5 MHz — 16 A  
16 MHz — 9 A  
32 MHz — 6 A  
Coil Hi-Pot (Vrms, 60 Hz) — 500 A

**Contact Capacitance** —  
Between Open Contacts — 1.2 pF  
Open Contacts to Ground — 1.2 pF

For factory-direct application assistance, dial 800-253-4560, ext. 2055, or 805-220-2055.

**Contact Resistance, Max.** —  
0.02 ohm

**Operate Time, Max.** —  
K43P — 5 ms  
K43R — 6 ms

**Release Time, Max.** — N/A

**Shock, 11ms, 1/2 Sine (Peak)** —  
30 g

**Vibration** —  
Peak — 7 g (55 to 2000 Hz)

**Operating Ambient Temperature Range** — -55°C to +125°C

**Mechanical Life** — 1 million cycles

**Weight, Nominal** —  
28.35 g (1 oz.)

**\*See page 7-87 for mounting methods.**

**Coil Data**

Volts, Nominal	26.5 Vdc
Latch & Reset, Max.	16 Vdc
Dropout	N/A
Coil Resistance (±10%)	80 Ω

Ratings listed are for 25°C, sea level conditions

**Ordering Information**

