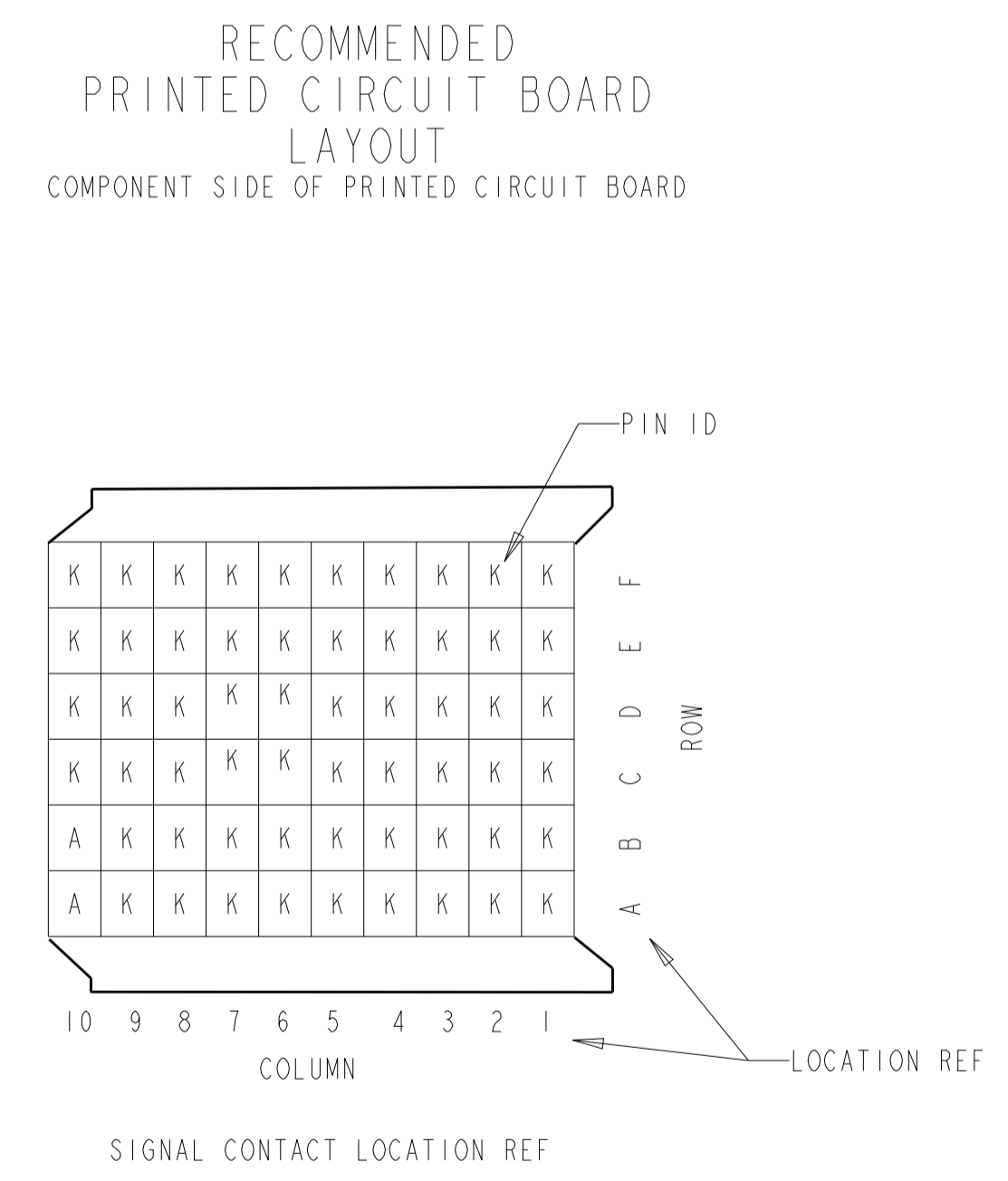
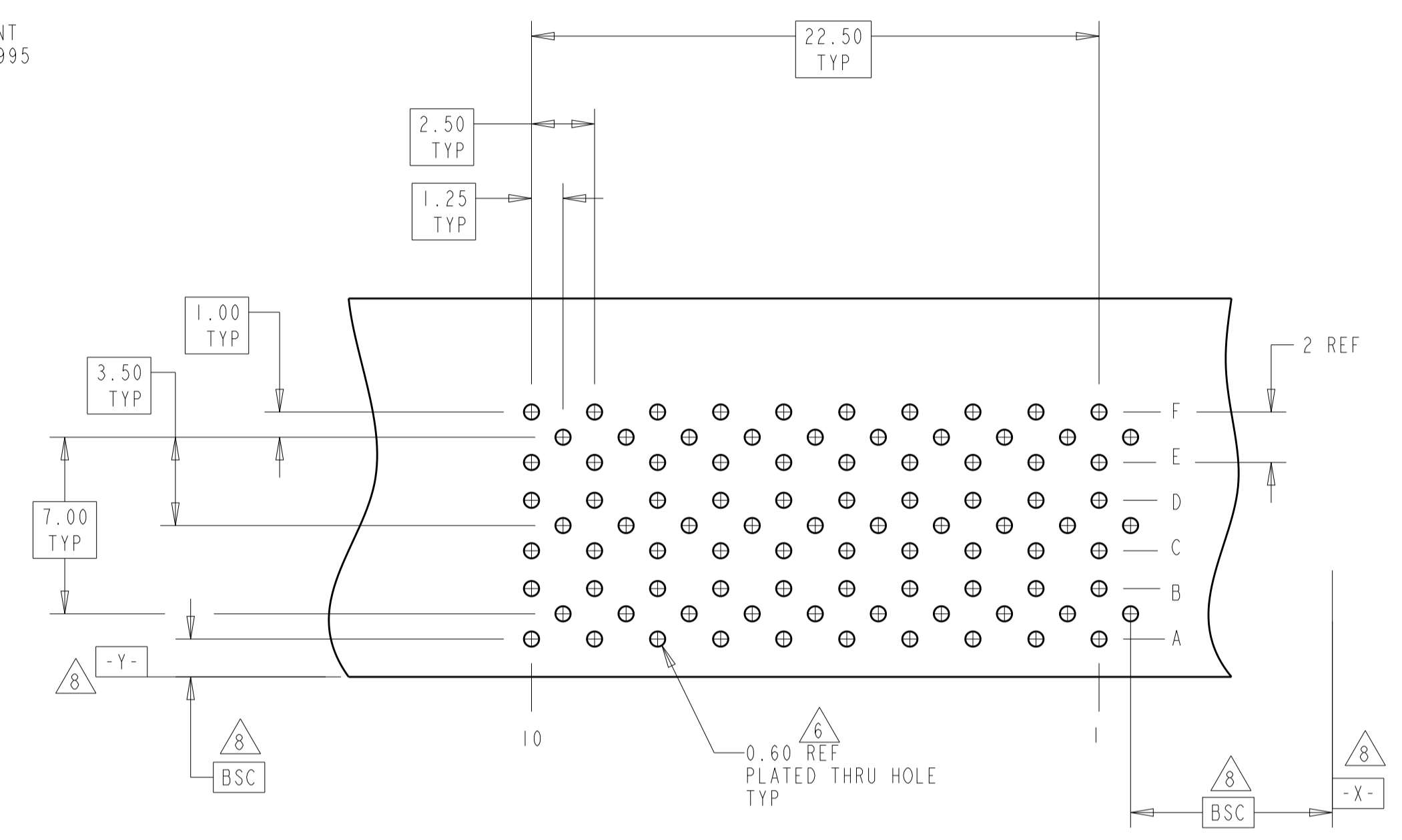
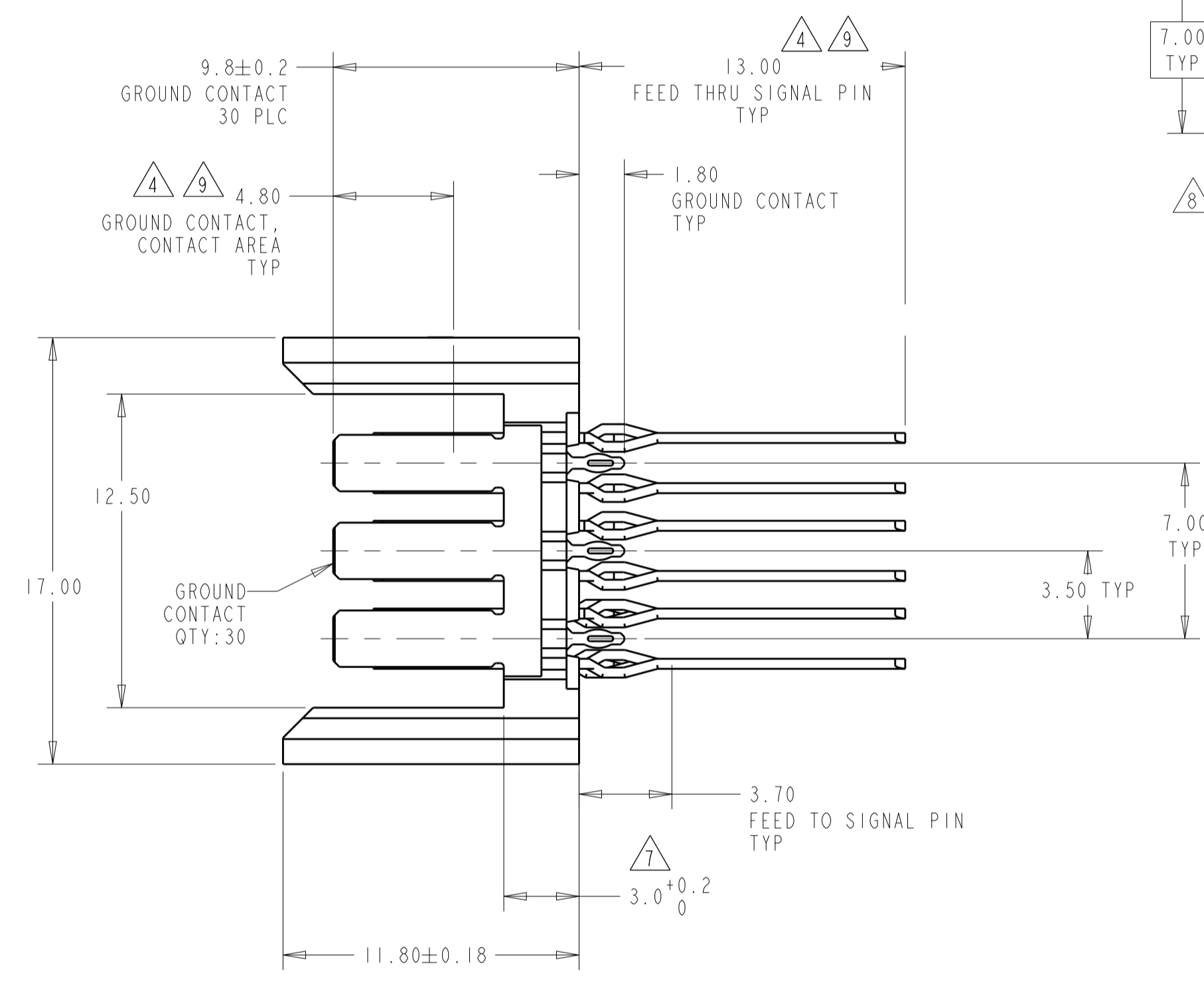
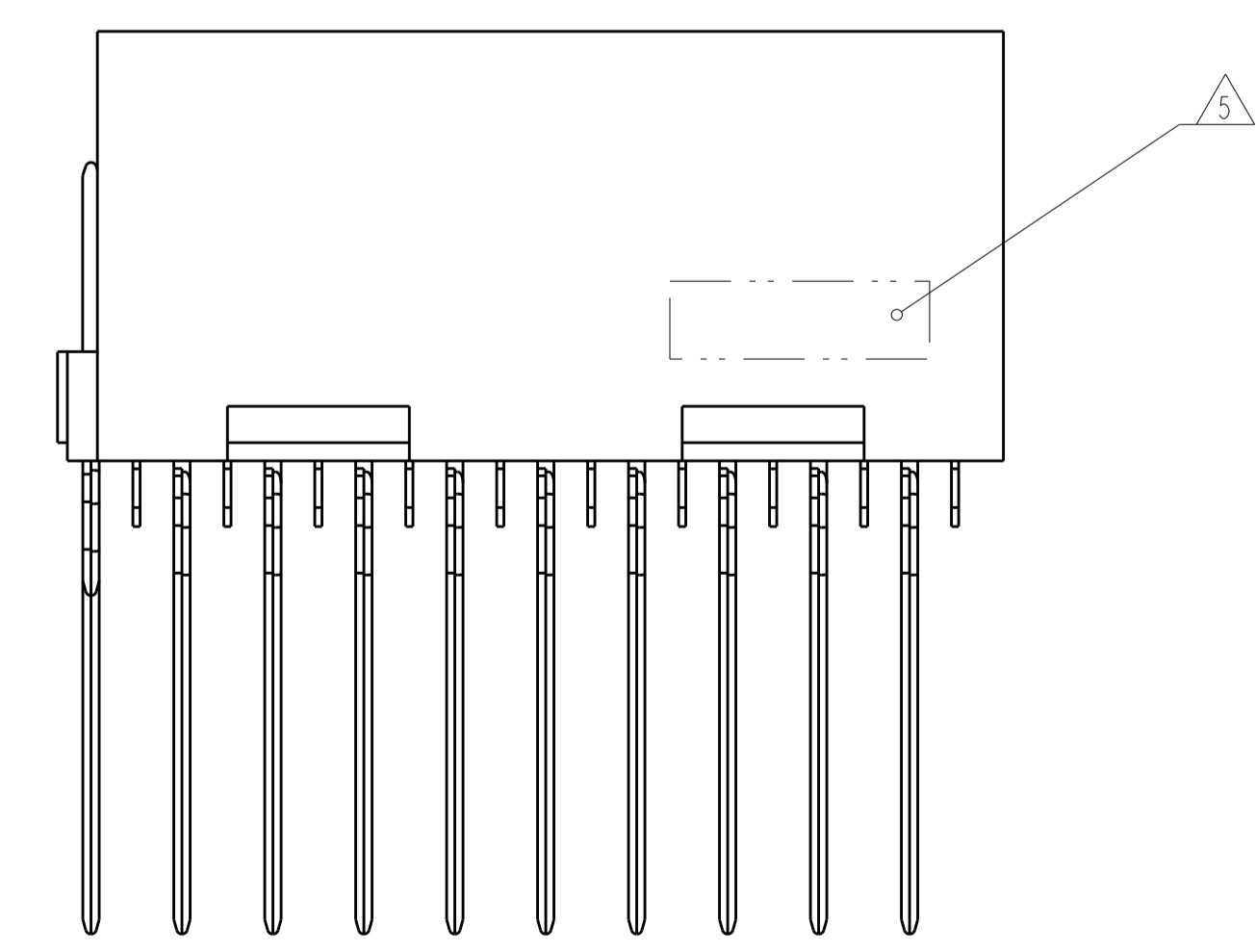
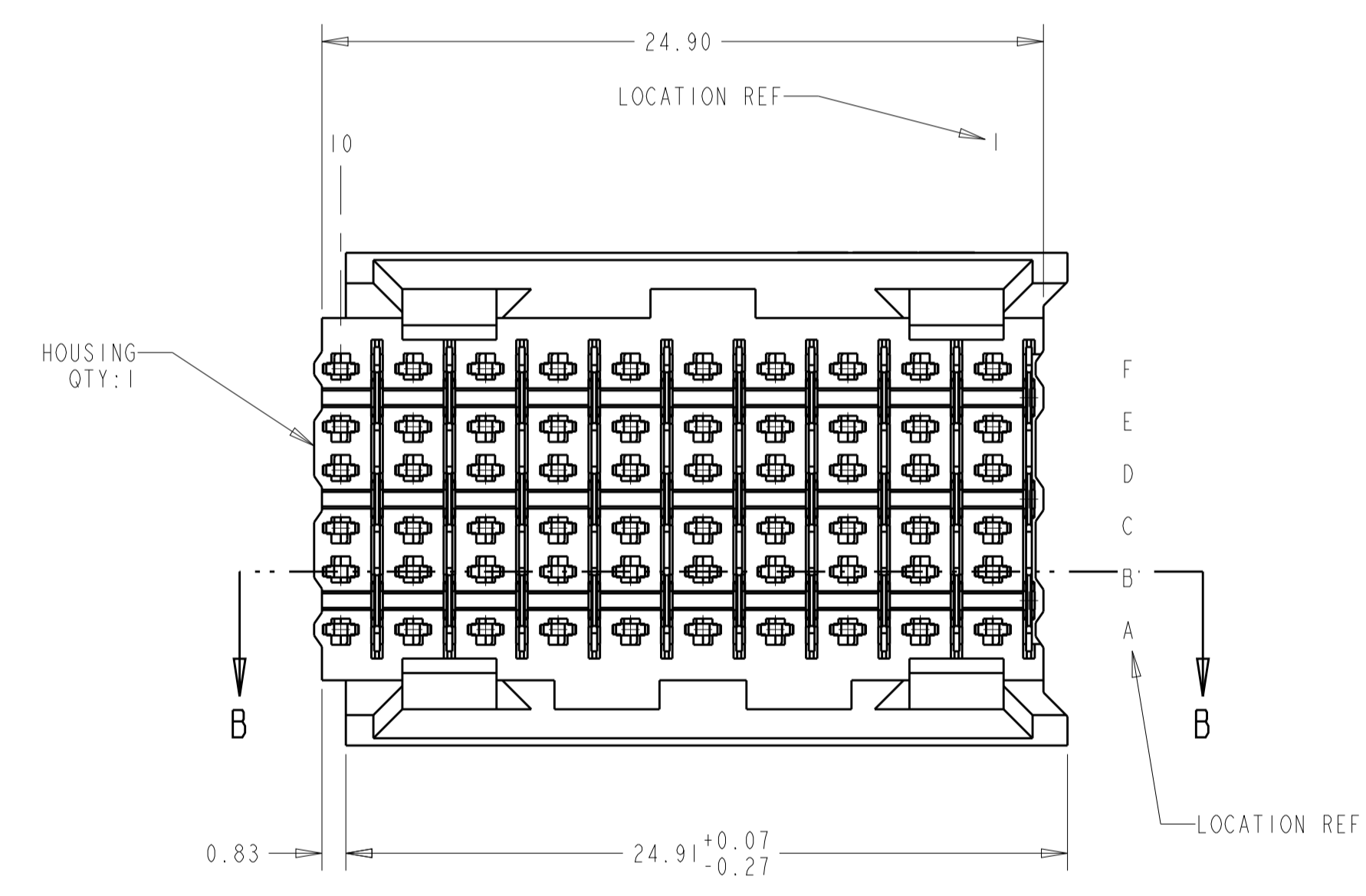
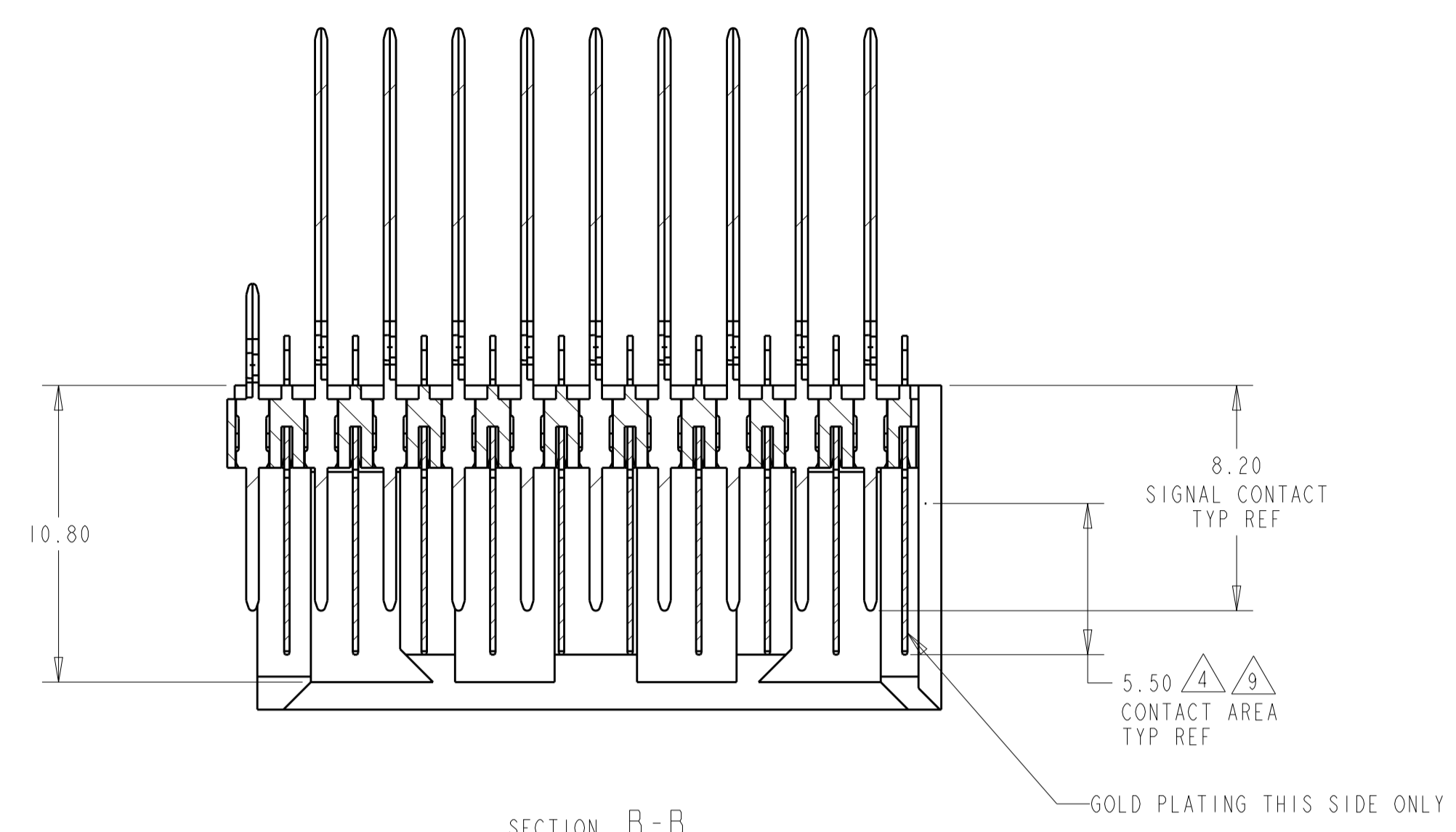


LOC	DIST	REV	DATE	BY	APPV
AD	00	A	24SEP2012	-	JE

- 2 PHOSPHOR BRONZE
- 3 LCP, UL94V-0
- 4 FINISH:
CONTACT MATING AREA MEETS THE PERFORMANCE REQUIREMENTS OF
TE CONNECTIVITY PRODUCT SPECIFICATION 108-1957; BASED ON
TELCORDIA GR-1217-CORE; APPLICATIONS IN UNCONTROLLED ENVIRONMENTS.
COMPLIANT PIN AREA: 0.5µm MIN MATTE TIN OVER BASE PLATING.
- 5 CONNECTOR MARKED WITH PART NUMBER AND DATE CODE
- 6 REFERENCE APPLICATION SPEC 114-13020 FOR RECOMMENDED
PLATED THRU HOLE DIAMETER AND PLATING THICKNESS.
- 7 APPLICATION SEATING HEIGHT TO PRINTED CIRCUIT BOARD
- 8 DATUMS AND BASIC DIMENSIONS ESTABLISHED BY CUSTOMER
- 9 CONTACT AREA LUBRICATED WITH BELLCORE APPROVED LUBRICANT
TECHNICAL REFERENCE: GR-1217-CORE, ISSUE 1, NOVEMBER 1995



THIS DRAWING IS A CONTROLLED DOCUMENT.		OWN: R. IREA 19FEB2007		TE Connectivity		
DIMENSIONS: mm		CHK: R. PATTERSON 19FEB2007		NAME: HEADER ASSEMBLY, 60 POSITION, 6 ROW, FEED THROUGH, BACKPLANE CONNECTOR, Z-PACK HS3		
TOLERANCES UNLESS OTHERWISE SPECIFIED:		APPV: R. PATTERSON 19FEB2007		SIZE: A1 CAGE CODE: 00779 DRAWING NO: 5120996		
0 PLC ± 1 PLC ±0.13 2 PLC ±0.05 3 PLC ±0.05 4 PLC ± ANGLES ± FINISH ±		PRODUCT SPEC: -		RESTRICTED TO: -		
MATERIAL: HOUSING: 3		APPLICATION SPEC: -	WEIGHT: -			
CONTACTS: 2		SIGNAL CONTACT: 4	CUSTOMER DRAWING			
SCALE: 5:1		SHEET: 1 OF 1		REV: A		