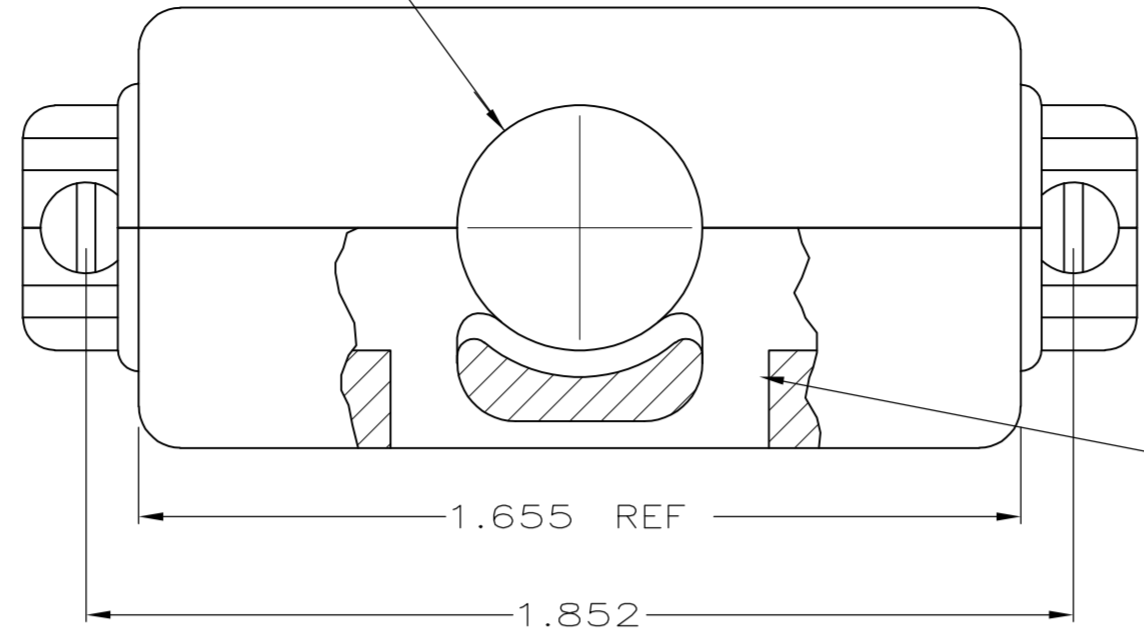


THIS DRAWING IS UNPUBLISHED. RELEASED FOR PUBLICATION
 © COPYRIGHT 2006 By - ALL RIGHTS RESERVED.

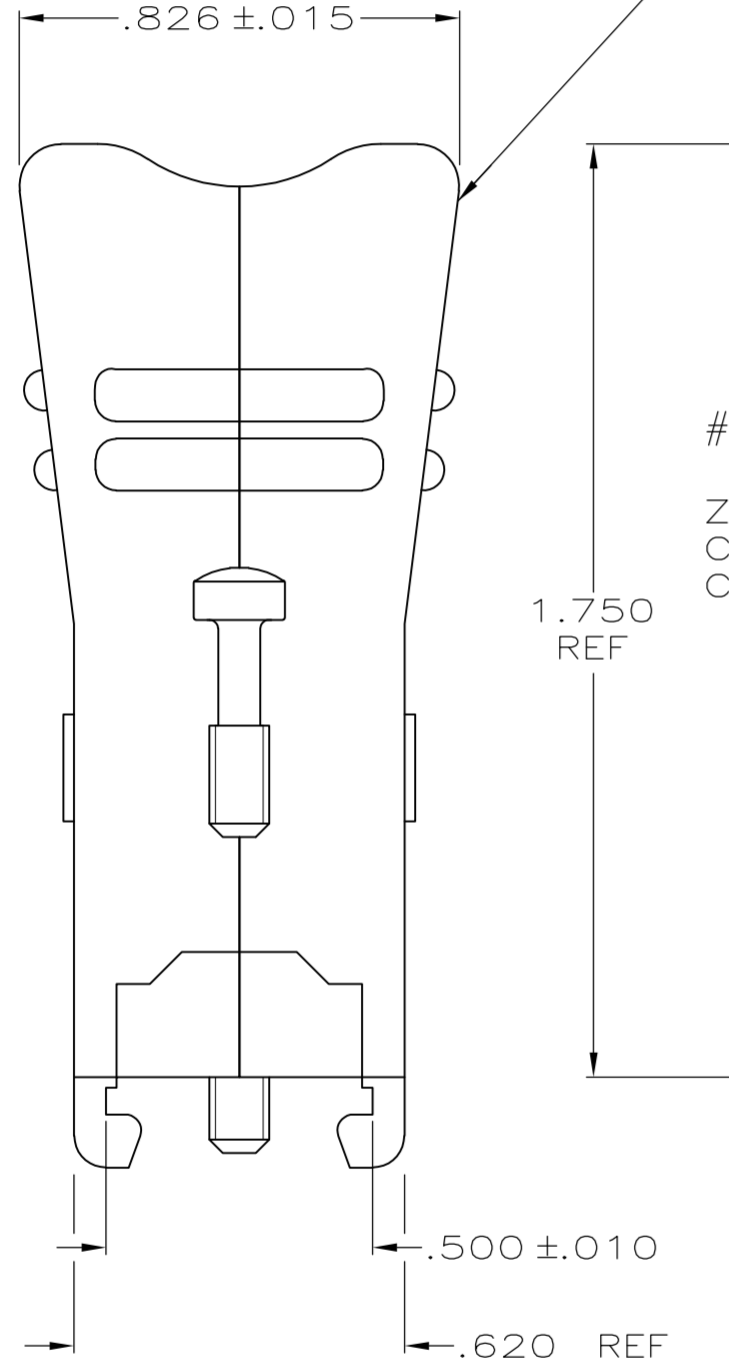
| LOC | DIST | REVISIONS | | | |
|-----|------|---------------------------|---------|-----|------|
| P | LTR | DESCRIPTION | DATE | DWN | APVD |
| GP | 00 | | | | |
| P | | REVISED PER ECO-11-004835 | 11MAR11 | RK | HMR |

.335 MAX DIA
CABLE OPENING

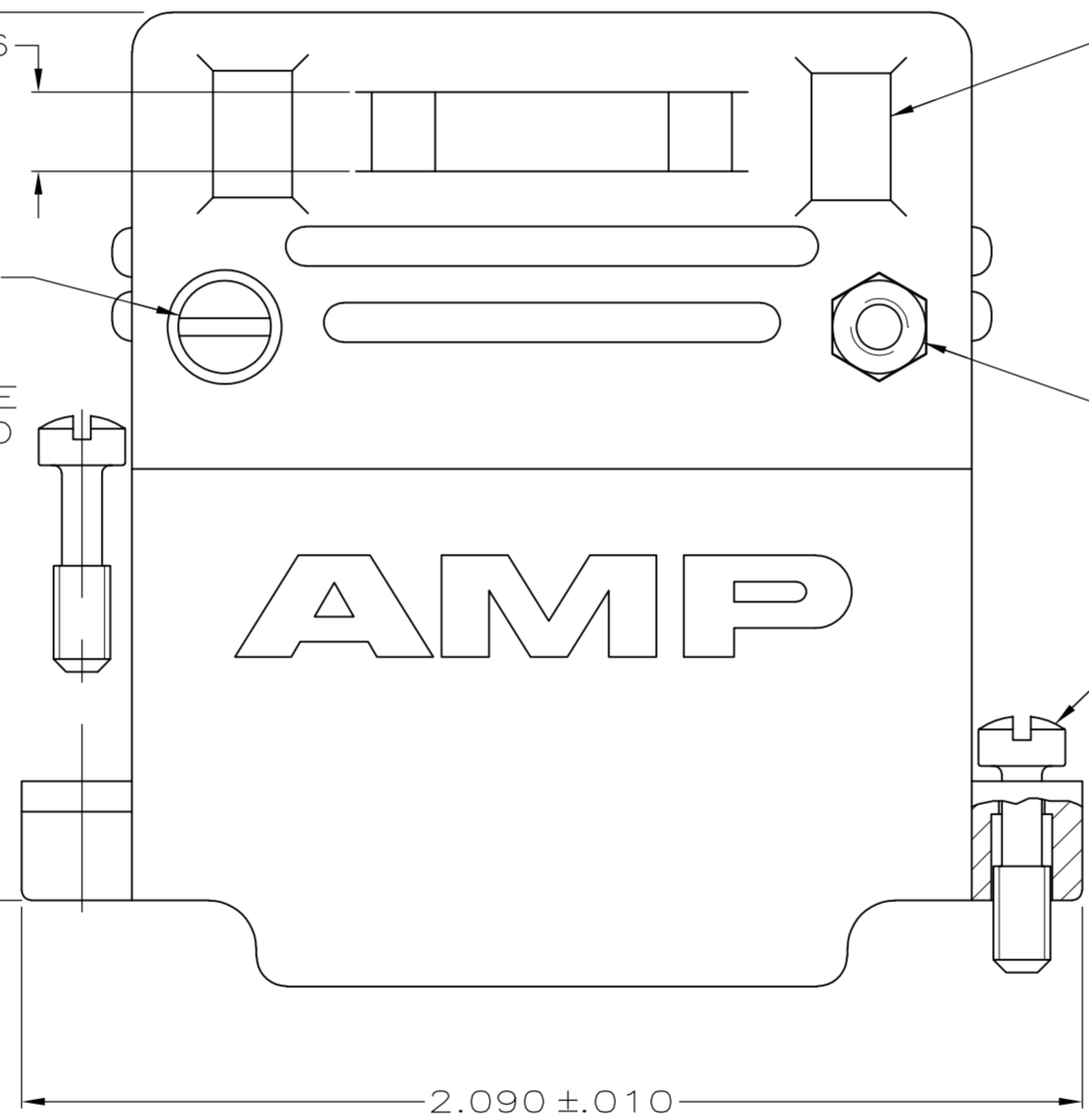


INTERNAL CABLE
TIE OPENINGS

TWO PIECE CABLE
SUPPORT HOUSING.
MATERIAL: THERMOPLASTIC, GRAY



#4-40 STEEL,
SCREW,
ZINC PLATED,
CLEAR CHROMATE
COATED, 2-REQD



EXTERNAL CABLE
TIE OPENINGS

#4-40 HEX NUT, STEEL,
ZINC PLATED CLEAR CHROMATE COATED

#4-40 CRS SCREW,
ZINC PLATED, 2 REQD
YELLOW CHROMATE COATED

AMP

1. THIS PART WILL FIT ANY STANDARD SIZE 3 PLUG OR RECEPTACLE IN THE AMPLIMITE SERIES.
2. ALL PARTS ARE PACKAGED UNASSEMBLED.

| | |
|--------------------|-------------|
| 1 KIT PER POLY BAG | 5206472-1 |
| PACKAGING | PART NUMBER |

| | | | | | | | | | | | | | | | | | | | | | | | | | | |
|---|---|------------------|--------------|---------|--------|--|--------|-------|-------|---|---|-------|---|------|-------|---|---|--------|---|---|--------------|---|--|------|-----------|------------|
| THIS DRAWING IS A CONTROLLED DOCUMENT. | | DWN | R.RICHARDSON | 31AUG05 | | TE Connectivity | | | | | | | | | | | | | | | | | | | | |
| DIMENSIONS: INCHES | | CHK | C.ROHDE | 31AUG05 | | NAME | | | | | | | | | | | | | | | | | | | | |
| TOLERANCES UNLESS OTHERWISE SPECIFIED: | | APVD | M. WALMSLEY | 31AUG05 | | CABLE CLAMP ASSEMBLY, 180 DEG , SIZE 3, 25 POSITION, AMPLIMITE HD-20 | | | | | | | | | | | | | | | | | | | | |
| <table border="1"> <tr><td>0 PLC</td><td>±</td><td>-</td></tr> <tr><td>1 PLC</td><td>±</td><td>-</td></tr> <tr><td>2 PLC</td><td>±</td><td>-</td></tr> <tr><td>3 PLC</td><td>±</td><td>.005</td></tr> <tr><td>4 PLC</td><td>±</td><td>-</td></tr> <tr><td>ANGLES</td><td>±</td><td>-</td></tr> </table> | | 0 PLC | ± | - | | 1 PLC | ± | - | 2 PLC | ± | - | 3 PLC | ± | .005 | 4 PLC | ± | - | ANGLES | ± | - | PRODUCT SPEC | - | | SIZE | CAGE CODE | DRAWING NO |
| 0 PLC | ± | - | | | | | | | | | | | | | | | | | | | | | | | | |
| 1 PLC | ± | - | | | | | | | | | | | | | | | | | | | | | | | | |
| 2 PLC | ± | - | | | | | | | | | | | | | | | | | | | | | | | | |
| 3 PLC | ± | .005 | | | | | | | | | | | | | | | | | | | | | | | | |
| 4 PLC | ± | - | | | | | | | | | | | | | | | | | | | | | | | | |
| ANGLES | ± | - | | | | | | | | | | | | | | | | | | | | | | | | |
| MATERIAL SEE CALLOUTS | | FINISH | SEE CALLOUTS | | WEIGHT | - | | SCALE | | | | | | | | | | | | | | | | | | |
| | | CUSTOMER DRAWING | | SCALE | 3:1 | SHEET | 1 of 1 | REV | | | | | | | | | | | | | | | | | | |
| | | | | | | A2 00779 C-5206472 | | P | | | | | | | | | | | | | | | | | | |