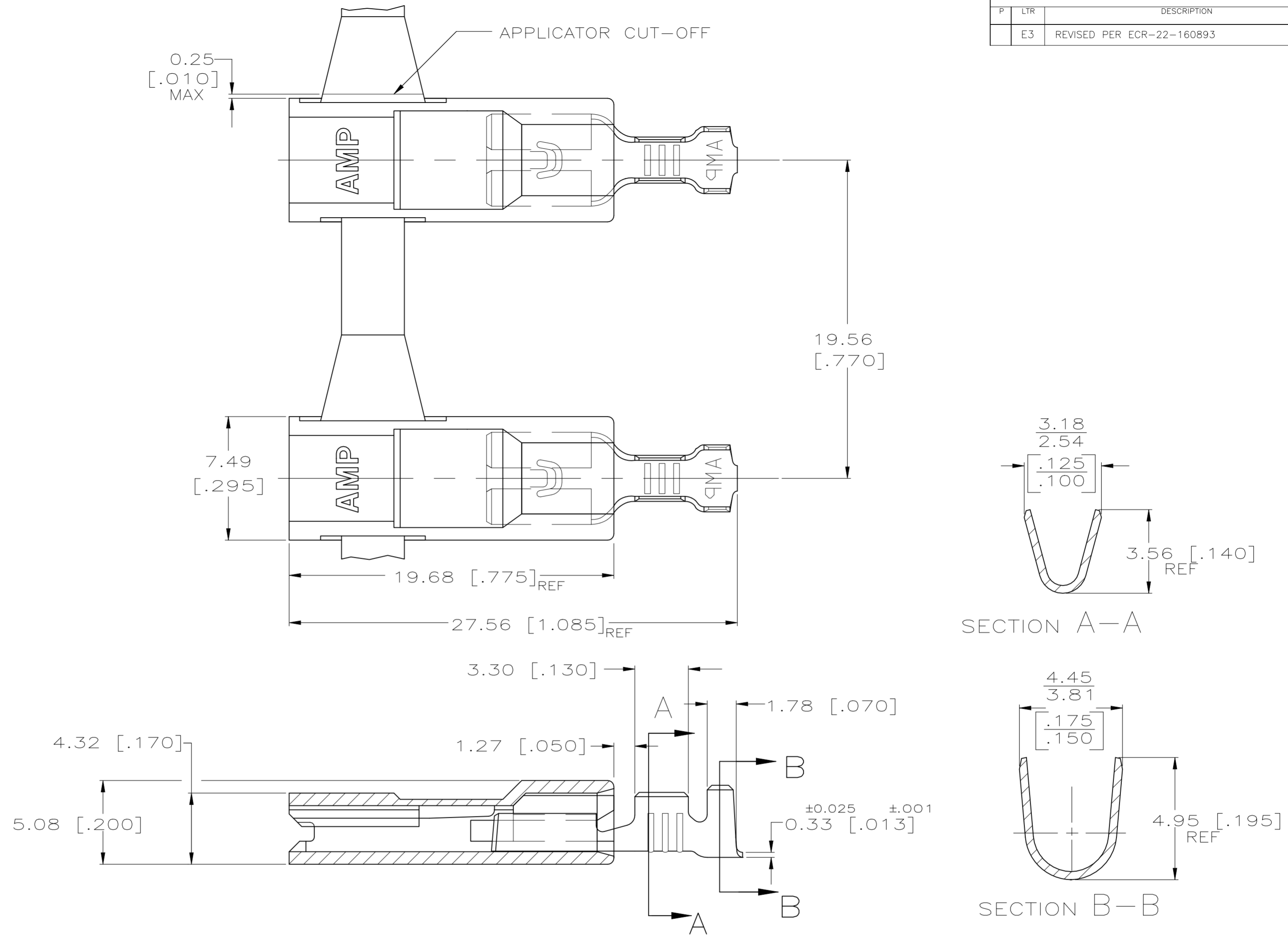


REVISIONS					
P	LTR	DESCRIPTION	DATE	DWN	APVD
E3		REVISED PER ECR-22-160893	14DEC2022	DB	BW



1 FASTON TERMINALS, BASE
P/N 63653, ARE USED IN THIS PRODUCT.

2 TIN PLATE PER MIL-T-10727

3 6/6 VO NYLON

SUPERSEDED	STANDARD	TIN	2.29-3.30	[#20-#16] AWG	0.508 [.020]	521225-2			
	-STANDARD		[.090-.130] DIA			521225-1			
	PACKAGING	FINISH	INSULATION RANGE	WIRE SIZE	MATING TAB THK ±0.025 [±.001]	PART NO			
THIS DRAWING IS A CONTROLLED DOCUMENT.			DWN	JR RUTH	14SEP99	TE Connectivity			
DIMENSIONS: mm [INCHES]			CHK	MS FEHER	14SEP99		NAME ASSEMBLY, RECEPTACLE, ULTRA-POD, 4.8 [.187] SERIES		
TOLERANCES UNLESS OTHERWISE SPECIFIED: 0 PLC ± - 1 PLC ± - 2 PLC ± - 3 PLC ± 0.25 [.010] 4 PLC ± - ANGLES ± -			APVD	J HUMMEL	14SEP99				
MATERIAL TERMINAL - BRASS HOUSING -			FINISH TERMINAL - SEE TABLE HOUSING - NATURAL	PRODUCT SPEC	114-2124	SIZE	CAGE CODE	DRAWING NO	RESTRICTED TO
				WEIGHT	0.000000	A2	00779	C=521225	-
				CUSTOMER DRAWING		SCALE	5:1	SHEET	1 OF 1
								REV	E3