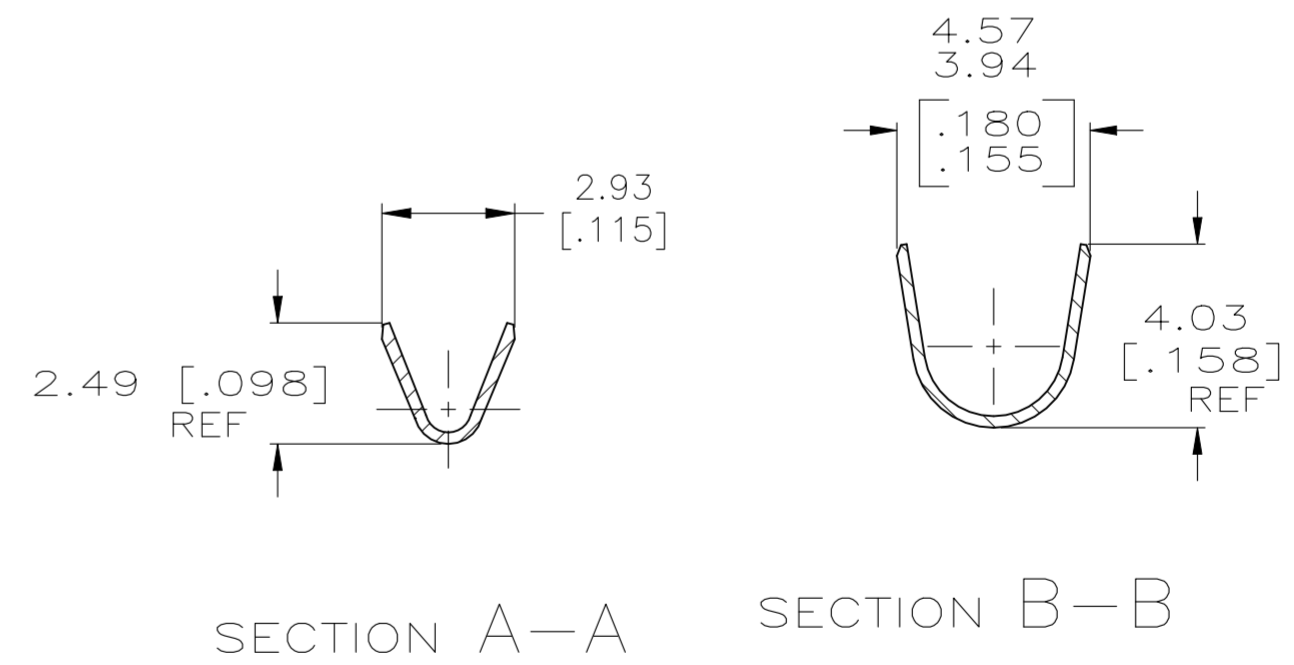
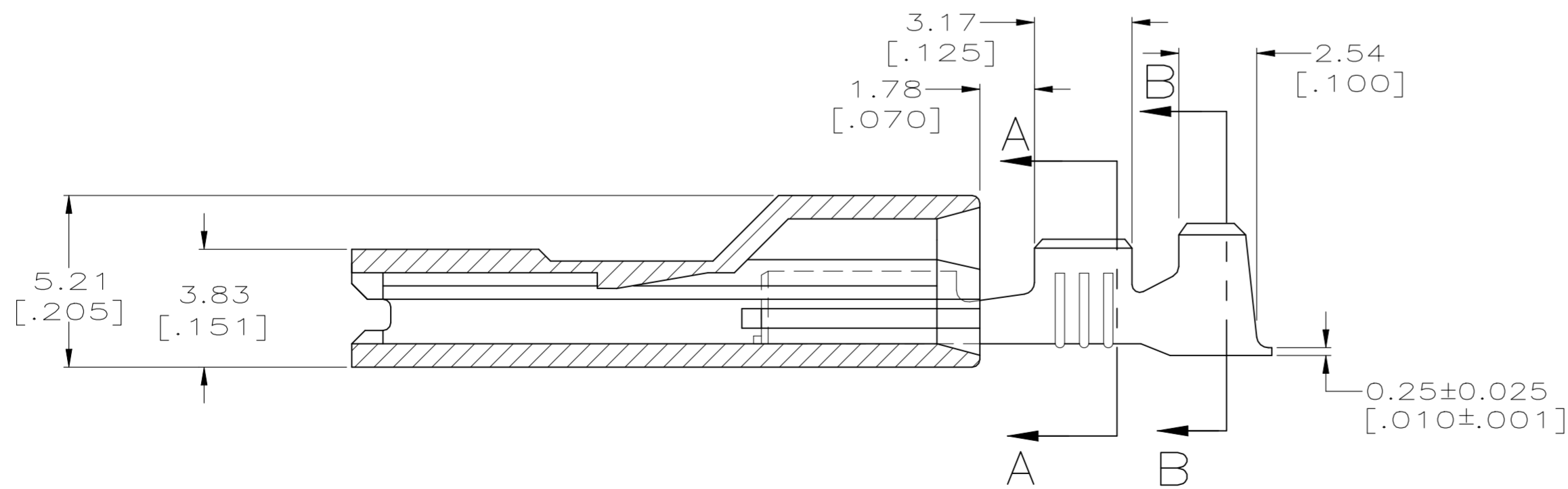
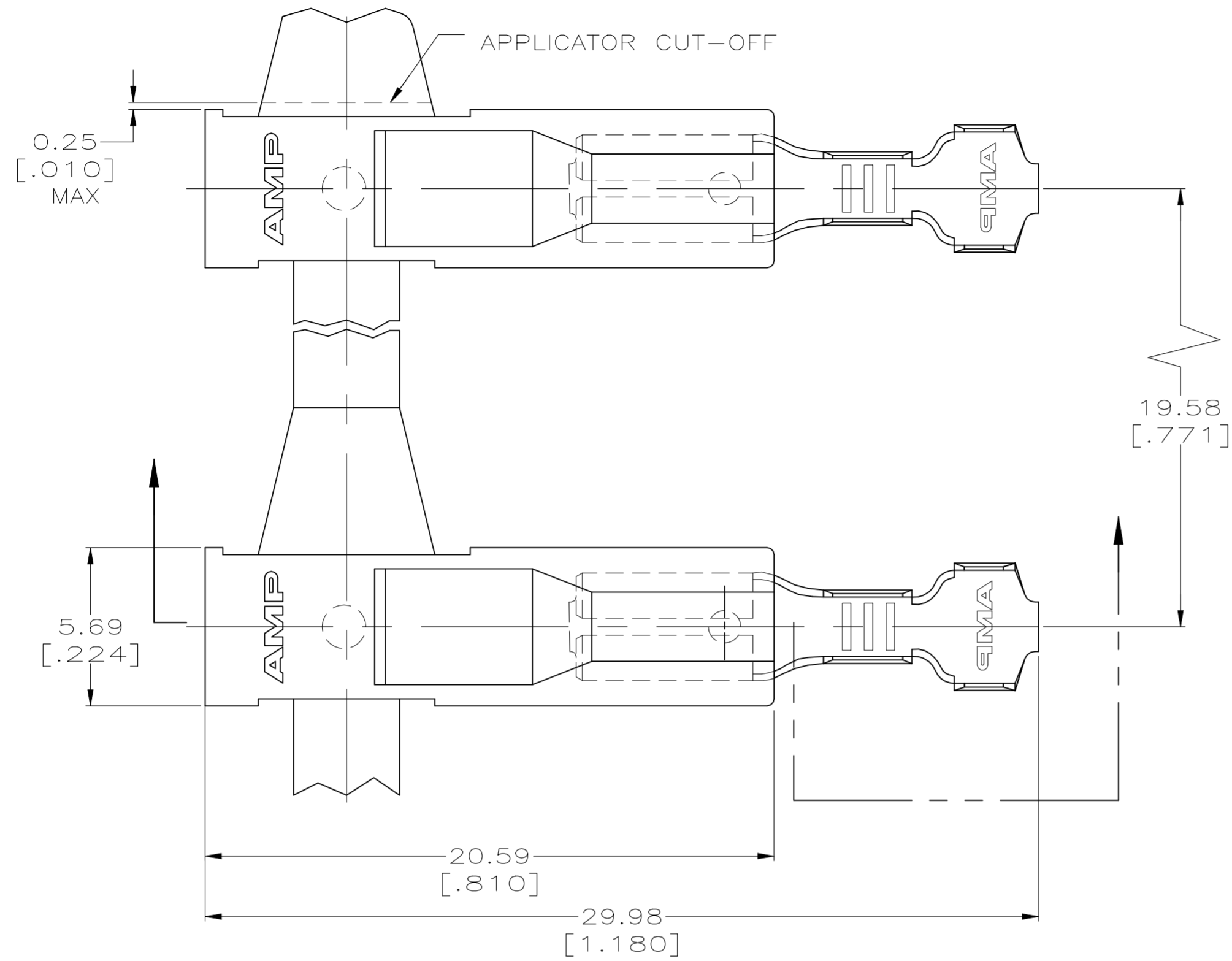


REVISIONS					
P	LTR	DESCRIPTION	DATE	DWN	APVD
G1		REVISED PER ECR-22-160893	15DEC2022	DB	BW



- 1 MATING TAB THK IS 0.51±0.025[.020±.001]
- 2 WIRE SIZE IS [#22-#18] AWG.
- 3 INSULATION RANGE IS 2.03-3.05[.080-.120] DIA.
- △4 MATERIAL - TERMINAL - BRASS  
HOUSING - 6/6 NYLON
- △5 FINISH - TERMINAL - SEE TABLE  
HOUSING - WHITE
- △6 PREPRODUCTION - FASR REQ

TIN PLATE		△6 521408-2	
TERMINAL FINISH		△5 PART NO.	
DWN JR RUTH 16MAY01		<b>TE</b> TE Connectivity	
CHK MS FEHER 16MAY01			
APVD J HUMMEL 16MAY01		NAME	
PRODUCT SPEC		ASSEMBLY, RECEPTACLE, ULTRA-POD, 2.79 [.110] SERIES	
APPLICATION SPEC		SIZE	RESTRICTED TO
114-2124		A2	-
WEIGHT 0.000000		CAGE CODE 00779	DRAWING NO
CUSTOMER DRAWING		C=521408	SCALE 5:1 SHEET 1 OF 1 REV G1

THIS DRAWING IS A CONTROLLED DOCUMENT.	
DIMENSIONS:	TOLERANCES UNLESS OTHERWISE SPECIFIED:
mm [INCHES]	
0 PLC ± -	
1 PLC ± -	
2 PLC ± 0.25 [.010]	
3 PLC ± -	
4 PLC ± -	
ANGLES ± -	
MATERIAL △4	FINISH △5