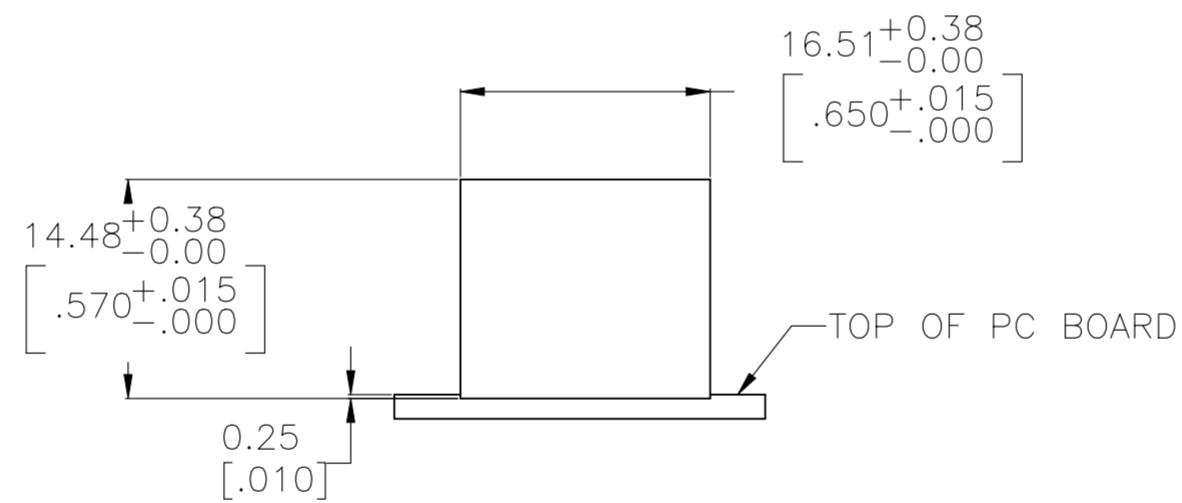
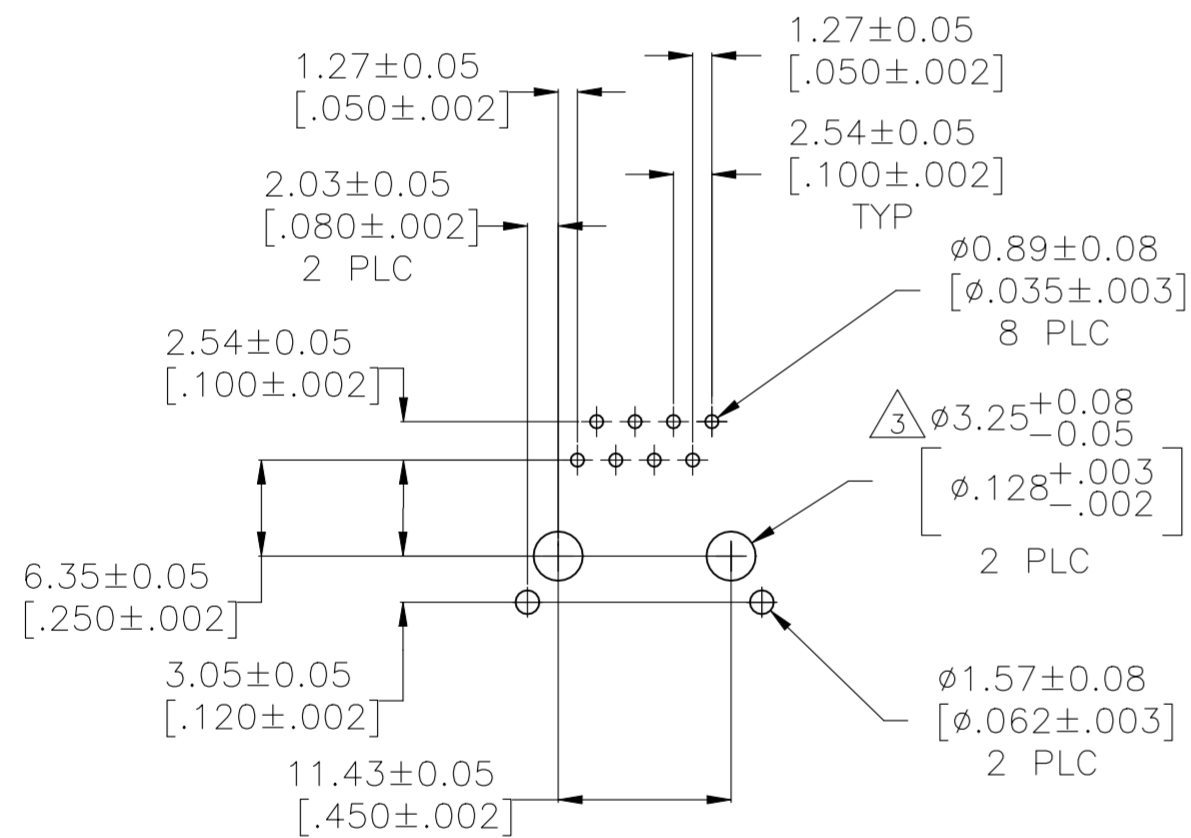
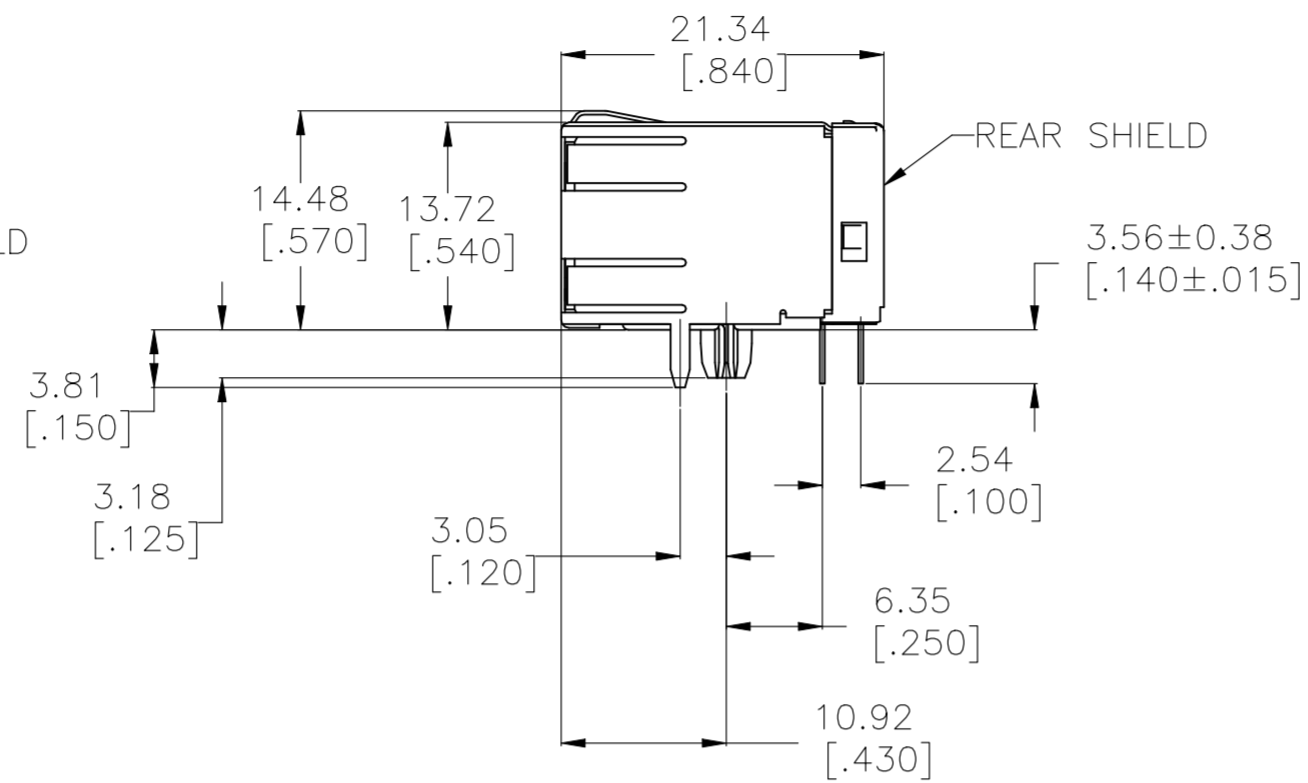
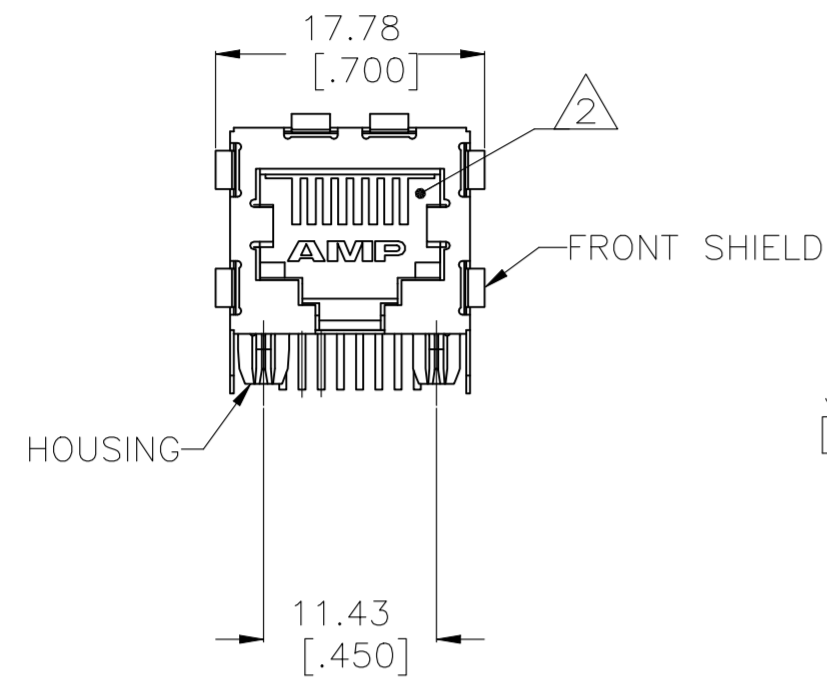


P	LTR	DESCRIPTION	DATE	DWN	APVD
D1	ECR-19-014657		13DEC2020	RR	SZ



SUGGESTED PANEL CUTOUT

SUGGESTED PANEL CUTOUT

- MATERIAL: HOUSING - NYLON, COLOR: BLACK, UL 94V-0. OVERMOLDED TERMINAL ARRAY - PBT, BROWN. TERMINALS - 0.33[.013] THICK PHOS BRONZE PLATED WITH 1.27µm[.000050] MINIMUM HARD GOLD IN LOCALIZED AREA AND 3.81µm[.000150] MINIMUM MATTE TIN IN SOLDER AREA OVER 1.27µm[.000050] MINIMUM NICKEL UNDERPLATE. SHIELD - 0.254[.010] THICK COPPER ALLOY PLATED WITH 1.27µm[.000050] MINIMUM NICKEL AND 2.03µm[.000080] MINIMUM HOT TIN DIP ON PCB GROUND TABS.

△2 JACK CAVITY CONFORMS TO FCC RULES AND REGULATIONS, PART 68 SUBPART F.

△3 USE #30 DRILL BIT OR 3.25mm DRILL BIT WHEN PRODUCING THESE PCB HOLES.

4. DIELECTRIC WITHSTANDING VOLTAGE BETWEEN SHIELD AND TERMINAL IS 1500 VAC

5406296

B

A

5406296-1
PART NUMBER

THIS DRAWING IS A CONTROLLED DOCUMENT.		DWN L.A.MAYER 18JAN2005			NAME	
DIMENSIONS: mm		CHK J.WESTMAN 18JAN2005			PRODUCT SPEC	
TOLERANCES UNLESS OTHERWISE SPECIFIED:		APVD S.FLICKINGER 18JAN2005	APPLICATION SPEC		8 POSN, SHIELDED, REVERSE PANEL GROUND TABS, CAT 5e	
0 PLC ± -		108-1163-2		SIZE A2	CAGE CODE 00779	DRAWING NO C=5406296
1 PLC ± -		114-2048		WEIGHT 0.000000	SCALE 2:1	SHEET 1 of 1
2 PLC ± 0.25[.01]		CUSTOMER DRAWING		RESTRICTED TO	REV D1	
3 PLC ± 0.13[.005]						
4 PLC ± -						
ANGLES ± -						
MATERIAL SEE NOTE 1		FINISH SEE NOTE 1				