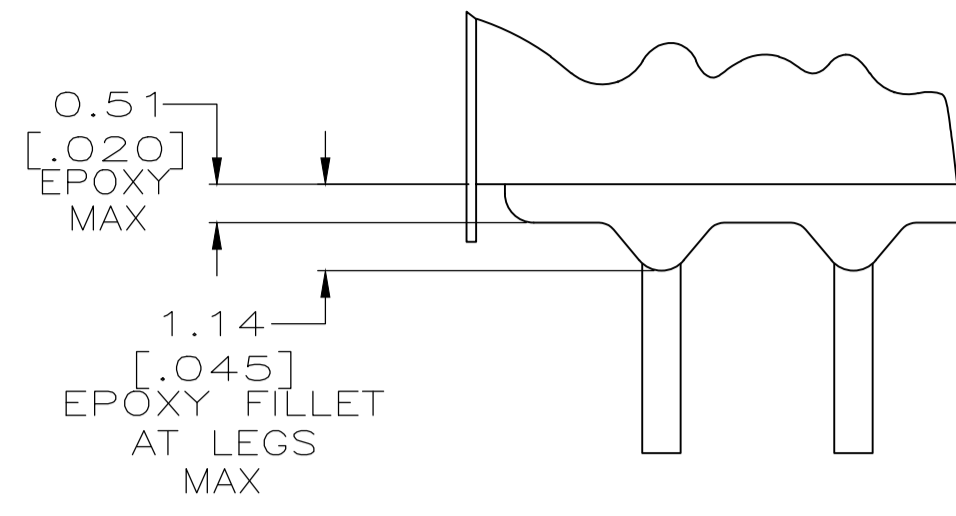
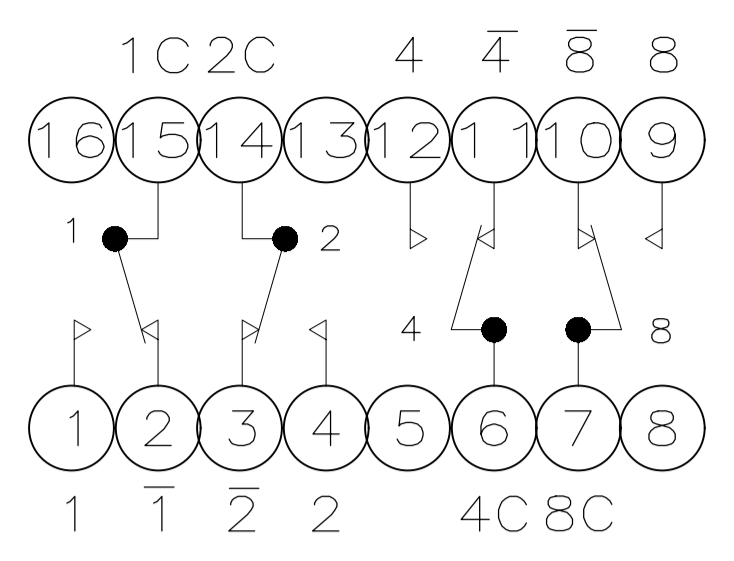


REVISIONS				
P	LTR	DESCRIPTION	DATE	OWN
M		ECO-20-011948	24AUG2020	SB JB

- 1 SLOT FOR SCREWDRIVER ACTUATION, AFTER REMOVAL OF TAPE.
- 2 FOR ADDITIONAL SPECIFICATIONS SEE AMP PRODUCT SPEC 108-7066 AND INSTRUCTION SHEET 6811.  
SWITCH BOTTOM IS SEALED.
- 4 CONTACT FINISH TO BE 0.00076 [.000030] GOLD OVER NICKEL.
- 5 MATERIAL:  
HOUSING : BLACK POLYESTER  
CONTACTS : BERYLLIUM COPPER.
- 6 REMOVABLE TAPE TO SEAL ACTUATOR END.
- 7 MARKS WILL BE ADDED BY LASER MARK PROCESS.



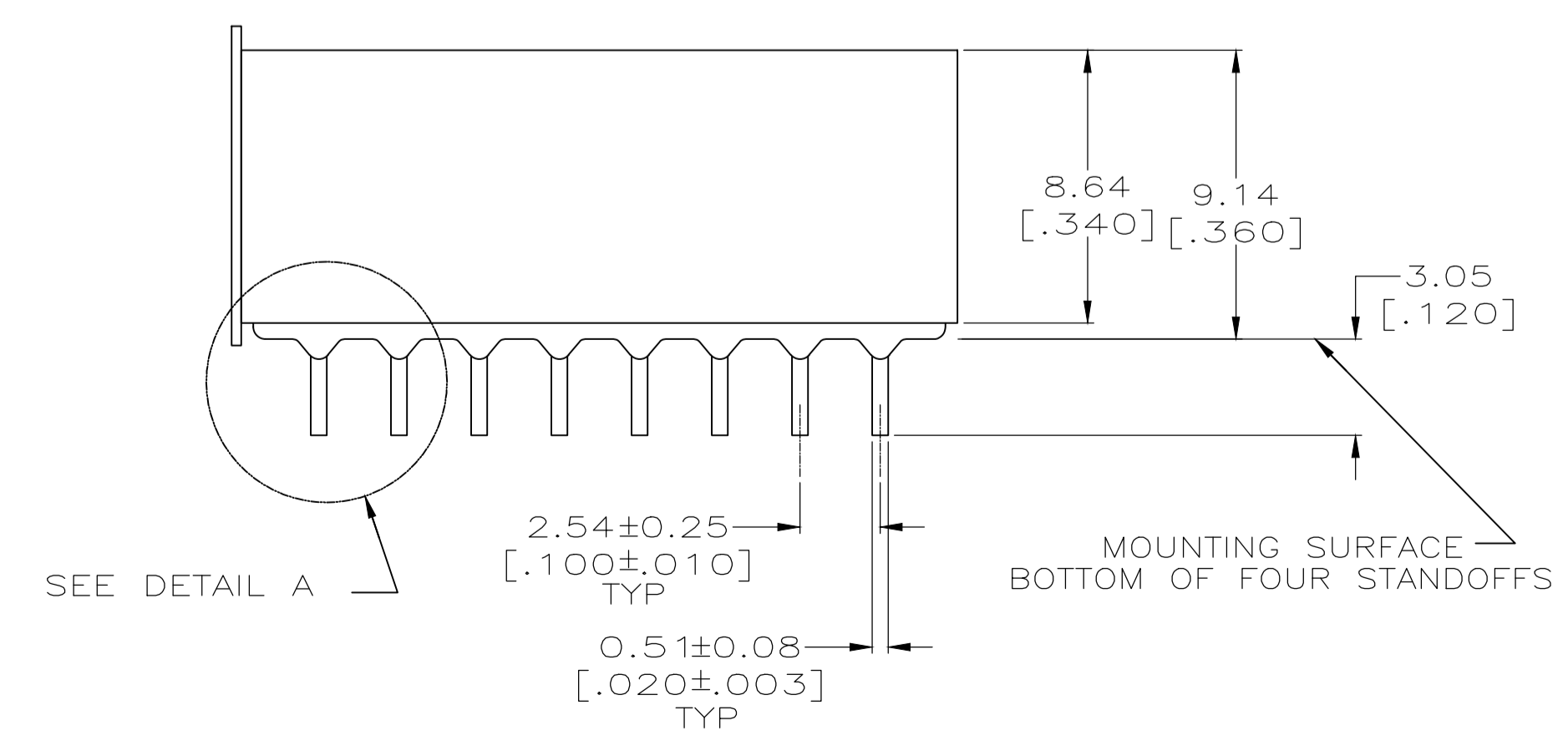
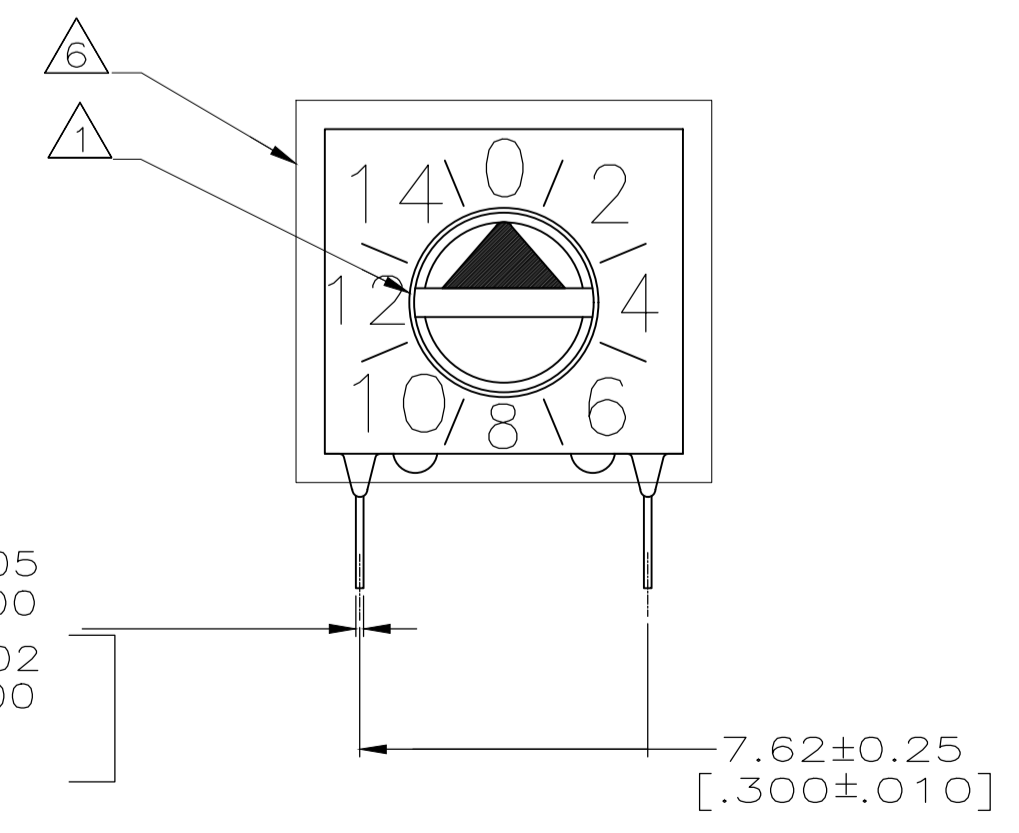
DETAIL A  
SCALE 10:1



SCHEMATIC  
(POSITION 0)

		POSITION															
		0	1	2	3	4	5	6	7	8	9	10	11	12	13	14	15
COMMON TO	1		●		●		●		●		●		●		●		●
	2			●	●			●	●			●	●			●	●
	4					●	●	●	●				●	●	●	●	●
	8									●	●	●	●	●	●	●	●
	1	●		●		●		●		●		●		●		●	
	2	●	●			●	●			●	●			●	●		
	4	●	●	●	●					●	●	●	●				
	8	●	●	●	●	●	●	●									

HEXADECIMAL: WITH COMPLEMENT



54792-2  
PART NUMBER

THIS DRAWING IS A CONTROLLED DOCUMENT.		DIN W. SORAH 1-8-97	TE Connectivity
DIMENSIONS: INCHES		CHK: R. TALLEY 1-8-97	
TOLERANCES UNLESS OTHERWISE SPECIFIED:		APVD: J. ROBB 1-8-97	NAME: SWITCH ASSY, PREPROGRAMMED DIP, 16 POSITION, SCREWDRIVER SLOT
0 PLC ± -	1 PLC ± -	PRODUCT SPEC	SIZE: A1
2 PLC ± 0.30 [.012]	3 PLC ± -	APPLICATION SPEC	CAGE CODE: 54792-2
4 PLC ± -	ANGLES ± -	WEIGHT: -	DRAWING NO: 54792-2
MATERIAL:	FINISH:	CUSTOMER DRAWING	RESTRICTED TO: -
		SCALE: 5:1	SHEET: 1 OF 1
		REV: M	