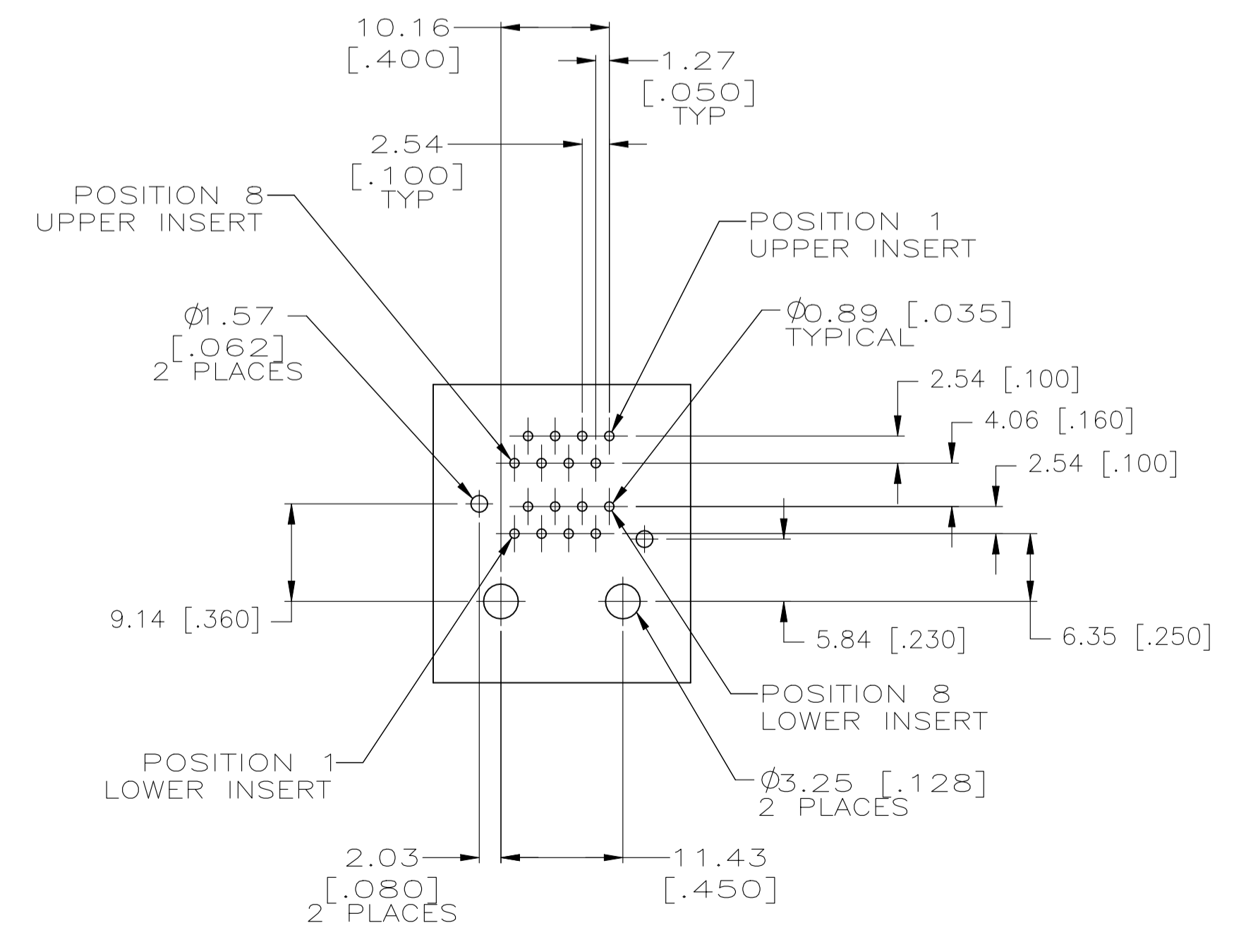
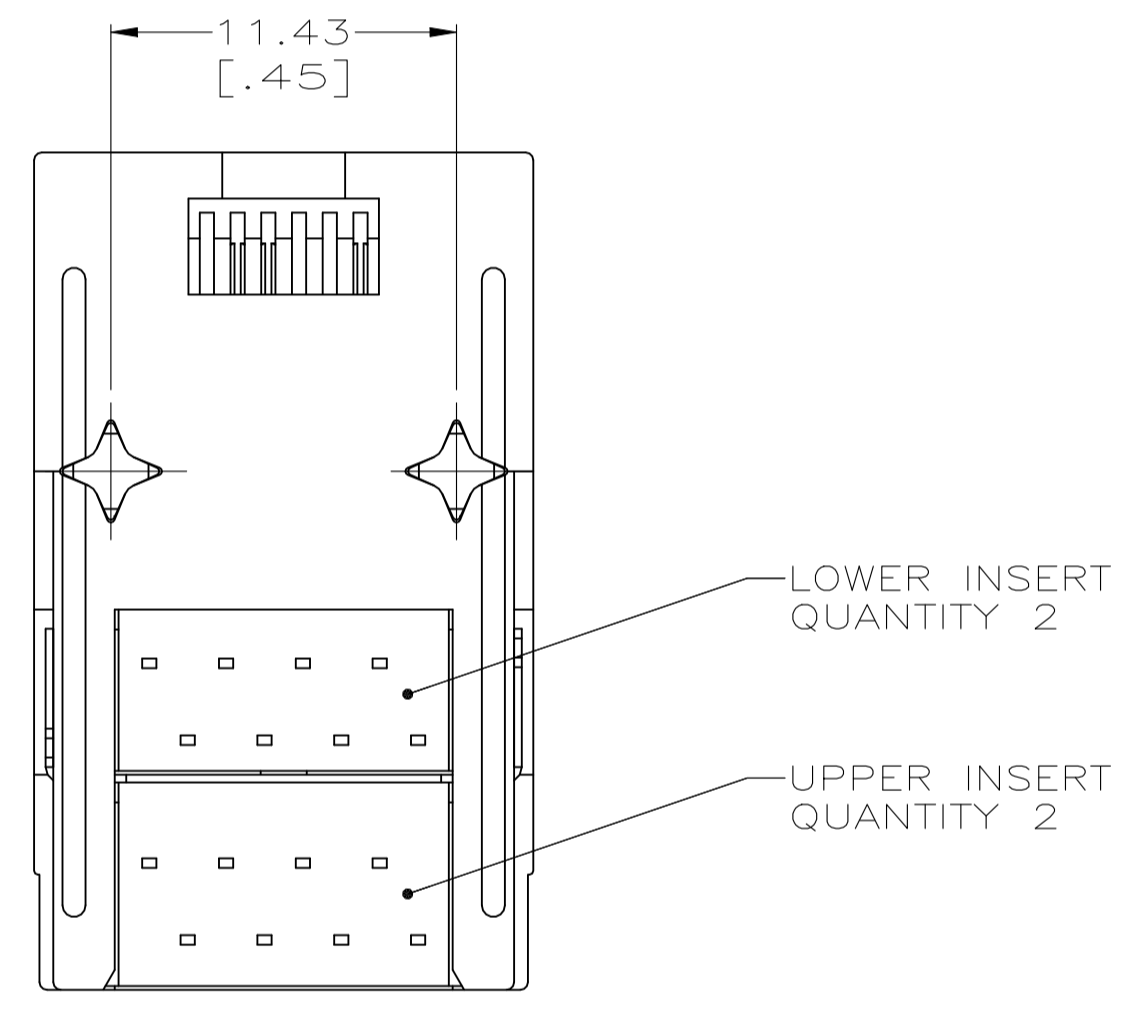
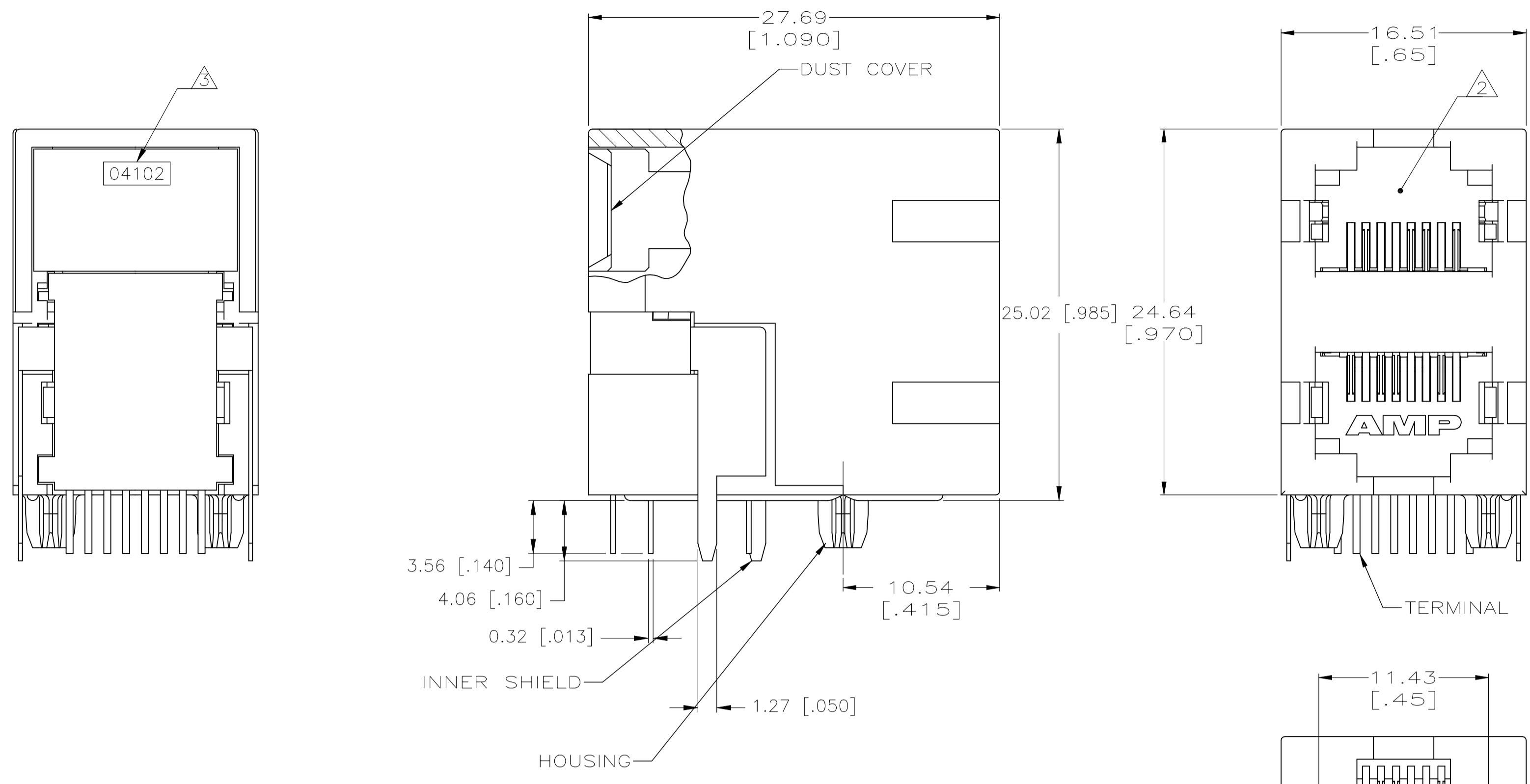
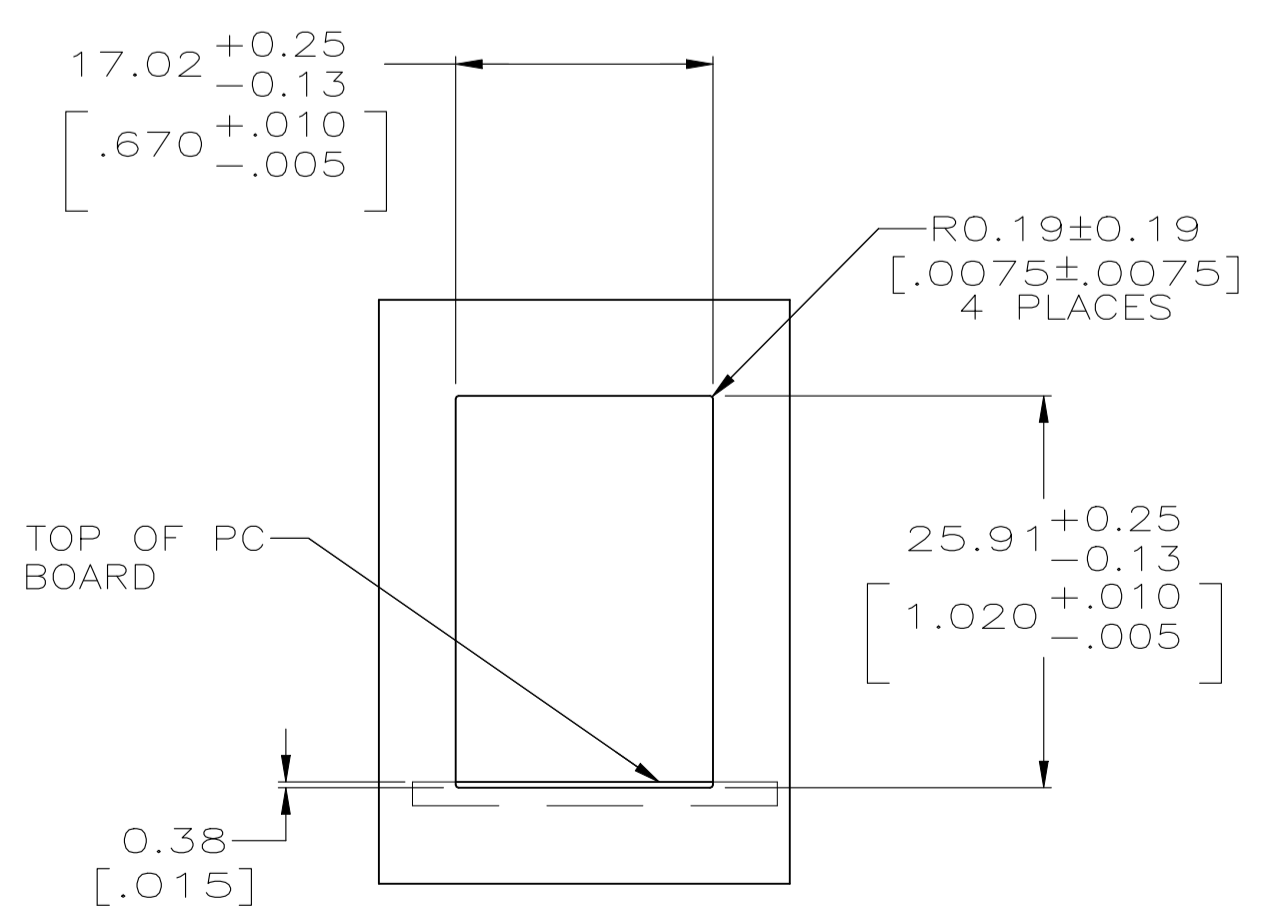


REVISIONS					
REV	DESCRIPTION	DATE	BY	CHK	APP'D
C1	RESIVED AS PER THE ECR-23-169440	19APR2023	JK	WH	

- MATERIAL:
 HOUSING - PCT POLYESTER, BLACK, UL94V-0.
 OVERMOLDED TERMINAL ARRAY - PBT, BROWN.
 TERMINALS - 0.33 [.013] THICK PHOS BRONZE PLATED WITH 1.27µm [.000050] MIN THICK HARD GOLD IN LOCALIZED AREA AND 3.81µm [.000150] MIN THICK MATTE TIN IN SOLDER AREA OVER 1.27µm [.000050] MIN THICK NICKEL UNDERPLATE.
 OUTER SHIELD AND INNER SHIELD - 0.25 [.010] THICK COPPER ALLOY PLATED WITH 2.03µm [.000080] MIN BRIGHT TIN OVER 1.27 [.000050] MIN NICKEL.
 JACK CAVITY CONFORMS TO FCC RULES AND REGULATIONS, PART 68 SUBPART F.
 DATE CODE LOCATED ON REAR OF PART APPROXIMATELY AS SHOWN:
 FIRST 2 DIGITS ARE LAST 2 DIGITS OF YEAR, SECOND 2 DIGITS ARE MANUFACTURING WORK WEEK, LAST DIGIT IS DAY OF WEEK, WITH SUNDAY = 1.



PC BOARD LAYOUT VIEWED FROM COMPONENT SIDE SCALE 2:1



SUGGESTED PANEL CUTOUT DIMENSIONS SCALE 2:1

5569450-1
 PART NUMBER

THIS DRAWING IS A CONTROLLED DOCUMENT.		DIN T. SPRINKLE / J.A. MAYER 08JUNE2005		TE Connectivity	
DIMENSIONS: mm [INCHES]		TOLERANCES UNLESS OTHERWISE SPECIFIED:		APPROVED: J. WESTMAN 08JUNE2005	
0. PLC ± -		1. PLC ± -		NAME: STACKED MODULAR JACK ASSEMBLY, 2 X 1 PORT, 8 POSITION, UNSHIELDED, CATEGORY 5	
2. PLC ± 0.25(.01)		3. PLC ± 0.13(.005)		PRODUCT SPEC: 108-1163-2	
4. PLC ANGLES ± -		APPLICATION SPEC: 114-2048		SIZE: A1	
MATERIAL: SEE NOTE 1		FINISH: SEE NOTE 1		WEIGHT: 0.000000	
		CUSTOMER DRAWING		SCALE: 4:1 SHEET: 1 of 1 REV: C1	