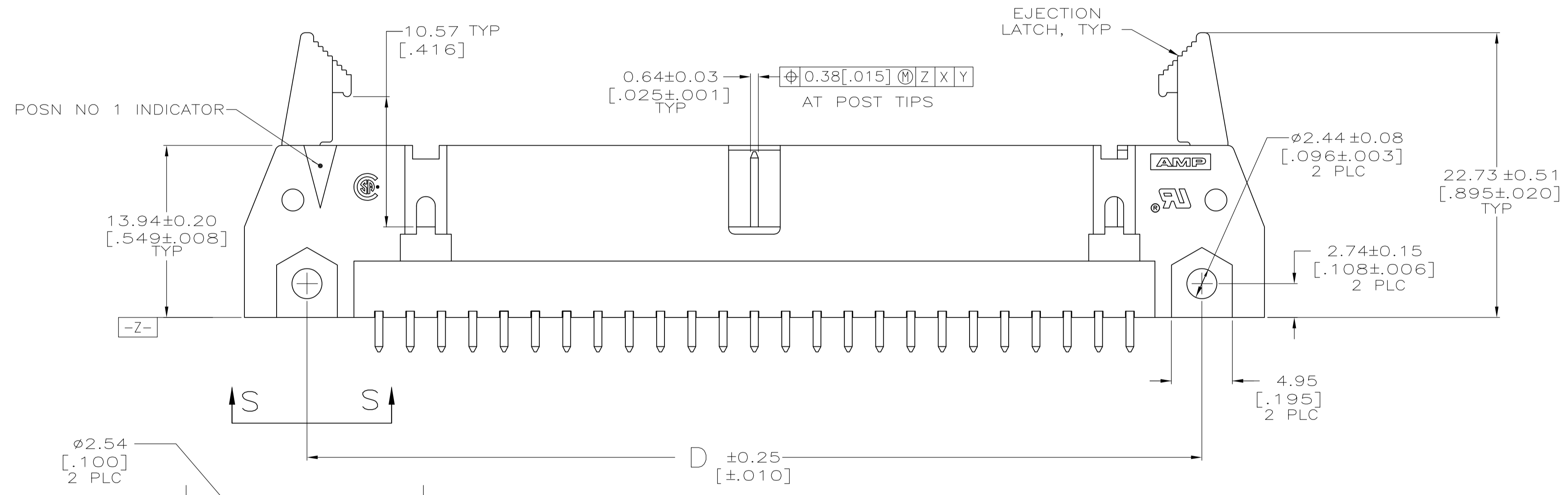
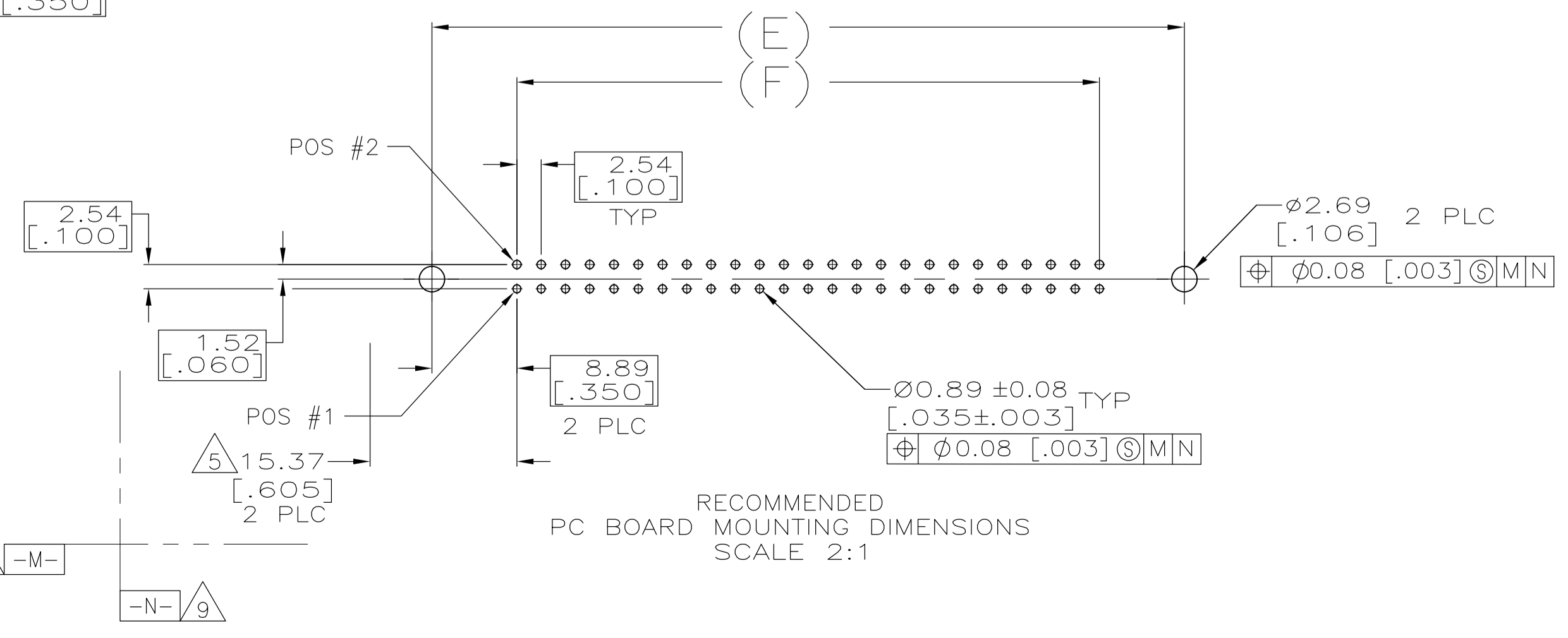


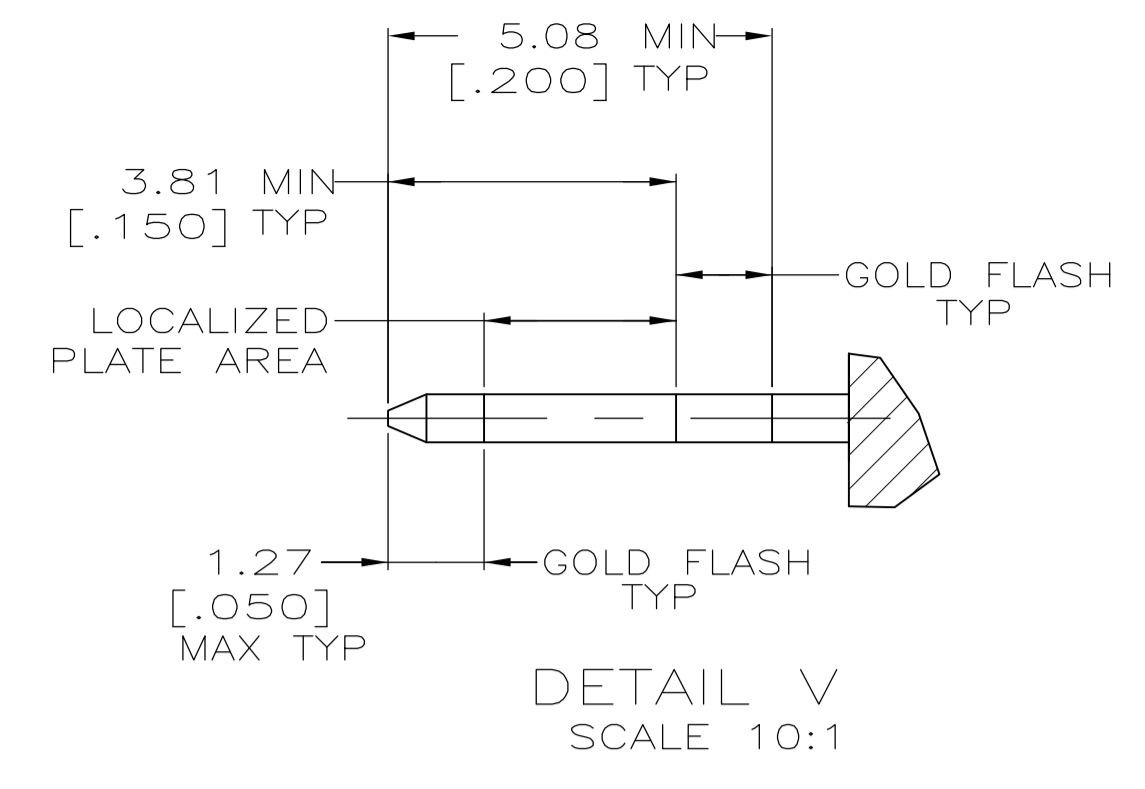
EJECTION LATCHES OMITTED IN THIS VIEW FOR CLARITY



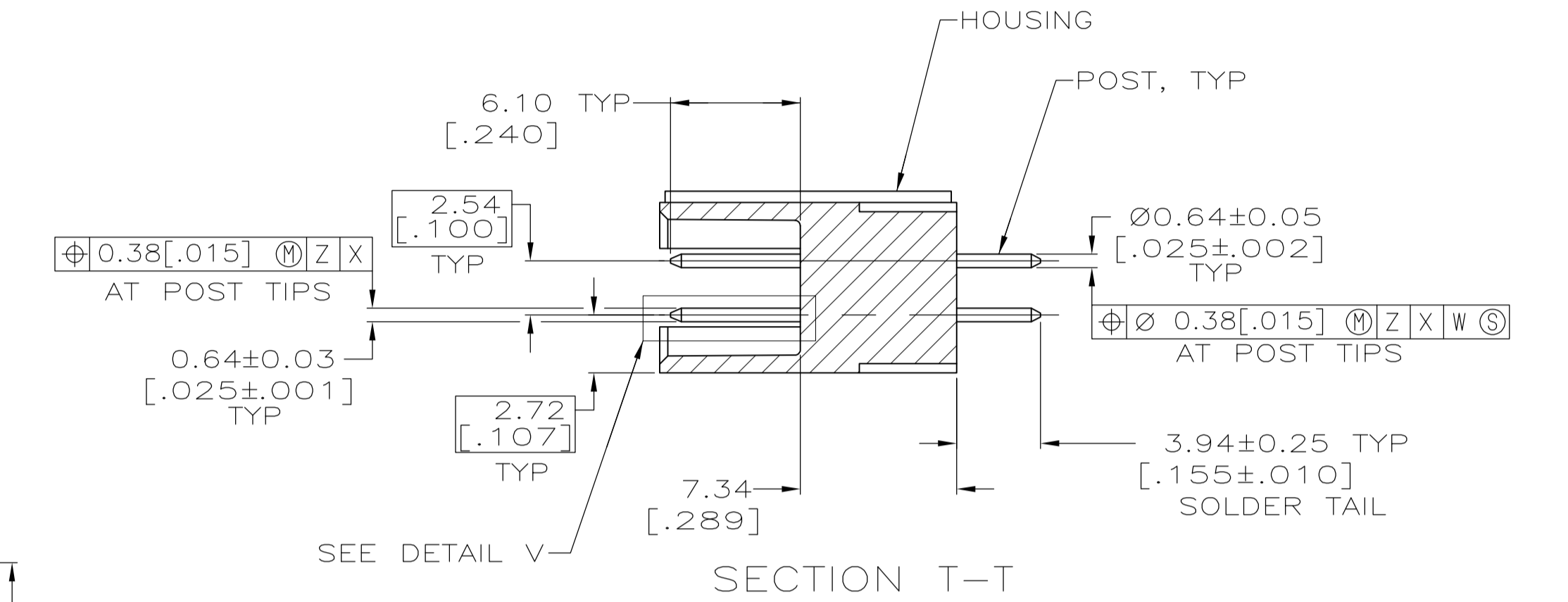
VIEW S-S



RECOMMENDED PC BOARD MOUNTING DIMENSIONS SCALE 2:1



DETAIL V SCALE 10:1



SECTION T-T

- 1 COORDINATE DIMENSION APPLIES FROM BASIC LOCATION.
- 2 10 POSITION SIZE CONTAINS ONLY ONE SLOT FOR SNAP-IN POLARIZER (MILITARY POLARIZATION) LOCATED AS SHOWN.
- 3 10 POSITION SIZE CONTAINS ONLY ONE SLOT FOR DUAL POLARIZATION, LOCATED AS SHOWN.
- 4 RECOMMENDED PRINTED CIRCUIT BOARD THICKNESS IS 3.18 [.125].
- 5 DISTANCE REQUIRED BY EJECTION LATCHES IN THE OPEN POSITION.
- 6 MOLDED PARTS: GLASS FILLED NYLON OR POLYESTER, 94V-0 RATED; BLACK. POSTS: PHOSPHOR BRONZE OR BRASS.
- 7 POSTS: GOLD FLASH OVER PALLADIUM-NICKEL PLATE, 0.38µm [.000015] MIN TOTAL ON THE LOCALIZED PLATE AREA, 2.54µm [.000100] MIN TIN PLATE ON THE SOLDER-TAILS, 1.27µm [.000050] MIN NICKEL UNDERPLATE ON THE ENTIRE POST. -OR- 0.38µm [.000015] MIN GOLD PLATE ON THE LOCALIZED PLATE AREA, 2.54µm [.000100] MIN TIN PLATE ON THE SOLDER-TAILS, 1.27µm [.000050] MIN NICKEL UNDERPLATE ON THE ENTIRE POST.
- 8 DATUMS -M- & -N- TO BE ESTABLISHED BY CUSTOMER.

| | | | | | | | | |
|----------------|------------------|------------------|------------------|------------------|------------------|------------------|------------|-------------|
| 20 | 27.94 [1.100] | 45.72 [1.800] | 39.62 [1.560] | 49.78 [1.960] | 45.72 [1.800] | 35.56 [1.400] | 24 | 5678009-8 |
| 2 | 10.16 [.400] | 27.94 [1.100] | 21.84 [.860] | 32.00 [1.260] | 27.94 [1.100] | 17.78 [.700] | 10 | 5678009-7 |
| 5 | 40.64 [1.600] | 58.42 [2.300] | 52.32 [2.060] | 62.48 [2.460] | 58.42 [2.300] | 48.26 [1.900] | 34 | 5678009-6 |
| 25 | 60.96 [2.400] | 78.74 [3.100] | 72.64 [2.860] | 82.80 [3.260] | 78.74 [3.100] | 68.58 [2.700] | 50 | 5678009-5 |
| 8 | 48.26 [1.900] | 66.04 [2.600] | 59.94 [2.360] | 70.10 [2.760] | 66.04 [2.600] | 55.88 [2.200] | 40 | 5678009-4 |
| 19 | 22.86 [.900] | 40.64 [1.600] | 34.54 [1.360] | 44.70 [1.760] | 40.64 [1.600] | 30.48 [1.200] | 20 | 5678009-3 |
| 16 | 22.86 [.900] | 40.64 [1.600] | 34.54 [1.360] | 44.70 [1.760] | 40.64 [1.600] | 30.48 [1.200] | 20 | 5678009-2 |
| 10 | 10.16 [.400] | 27.94 [1.100] | 21.84 [.860] | 32.00 [1.260] | 27.94 [1.100] | 17.78 [.700] | 10 | 5678009-1 |
| PIN NO OMITTED | F | E | D | C | B | A | NO OF POSN | PART NUMBER |

THIS DRAWING IS A CONTROLLED DOCUMENT.

| | | | | |
|-------------------------|--|-----------------------|---------------------|-------------------|
| DIMENSIONS: mm (INCHES) | TOLERANCES UNLESS OTHERWISE SPECIFIED: | APPROVED: M. WALMSLEY | DATE: 01-12-05 | NAME: M. WALMSLEY |
| 0 PLC ± - | 1 PLC ± - | 2 PLC ± - | 3 PLC ± 0.13 (.005) | 4 PLC ± - |
| ANGLES ± - | | | | |
| MATERIAL | FINISH | WEIGHT | SIZE | CAGE CODE |
| | | | A1 | 00779 |
| CUSTOMER DRAWING | | SCALE: 4:1 | SHEET: 1 of 1 | REV: B |

THIS DRAWING IS A CONTROLLED DOCUMENT. BIN: L. VARELA - DOCKS 01-12-05. CHK: S. BOLASH 01-12-05. APVD: M. WALMSLEY 01-12-05. NAME: M. WALMSLEY. Tyco Electronics Corporation, Harrisburg, Pa 17105-3608. PRODUCT SPEC: 108-40018. APPLICATION SPEC: -. SIZE: A1. CAGE CODE: 00779. DRAWING NO: 5678009. RESTRICTED TO: -. CUSTOMER DRAWING. SCALE: 4:1. SHEET: 1 of 1. REV: B.