

THIS DRAWING IS UNPUBLISHED.

RELEASED FOR PUBLICATION

ALL RIGHTS RESERVED.

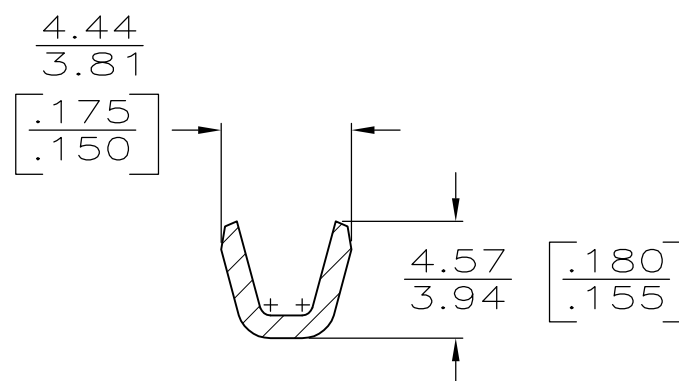
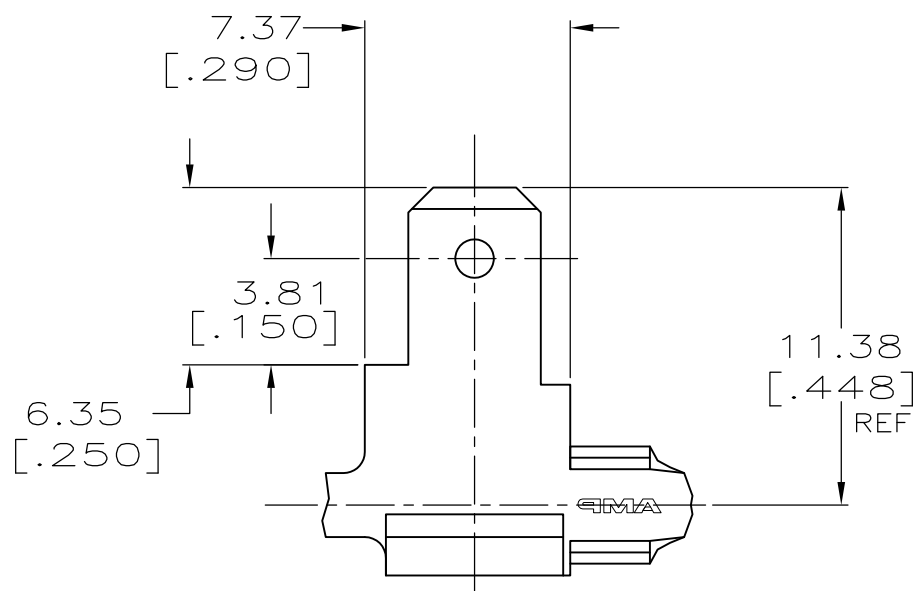
© COPYRIGHT - By -

LOC AF DIST 50

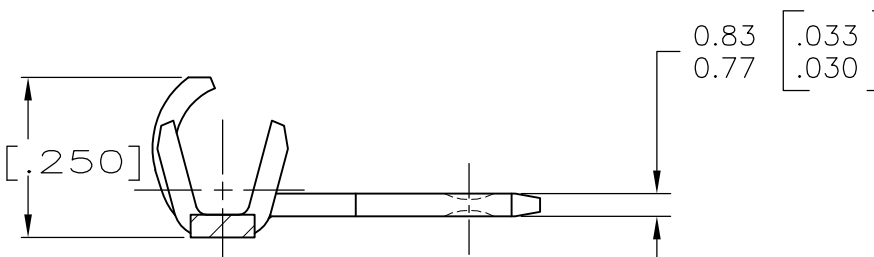
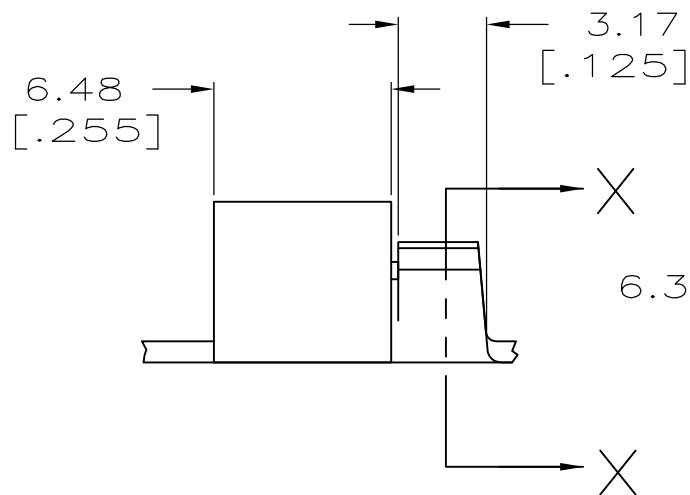
REVISIONS

P	LTR	DESCRIPTION	DATE	DWN	APVD
E		REVISED PER ECR-13-011489	30NOV2013	KH	PD

- 1 CONTINUOUS STRIP ON REELS.
- 2 WIRE SIZE 0.8-2.0mm2 [18-14] AWG.
- 3 INSULATION RANGE 2.03-3.05 [.080-.120] DIA.
- △ 4 PRELIMINARY - NOT FOR PRODUCTION.



SECTION X-X



-----	△ 4 63652-2
TIN	63652-1
FINISH	PART NO.

THIS DRAWING IS A CONTROLLED DOCUMENT.		DWN JR RUTH 6/8/92	<b>STE</b> TE Connectivity		
DIMENSIONS: mm [INCHES]		CHK MS FEHER 6/8/92			
TOLERANCES UNLESS OTHERWISE SPECIFIED:		APVD C MEYERS 6/8/92	NAME		
0 PLC ± -		PRODUCT SPEC	TAB, FASTON, FLAG, 4.75 [.187] SERIES		
1 PLC ± -		APPLICATION SPEC	SIZE	CAGE CODE	DRAWING NO
2 PLC ± -		WEIGHT	A3 00779		C-63652
3 PLC ± 0.25 [.010]		CUSTOMER DRAWING	SCALE	SHEET	REV
4 PLC ± -			6:1	1 OF 1	E
ANGLES ± -					
MATERIAL BRASS	FINISH SEE TABLE				