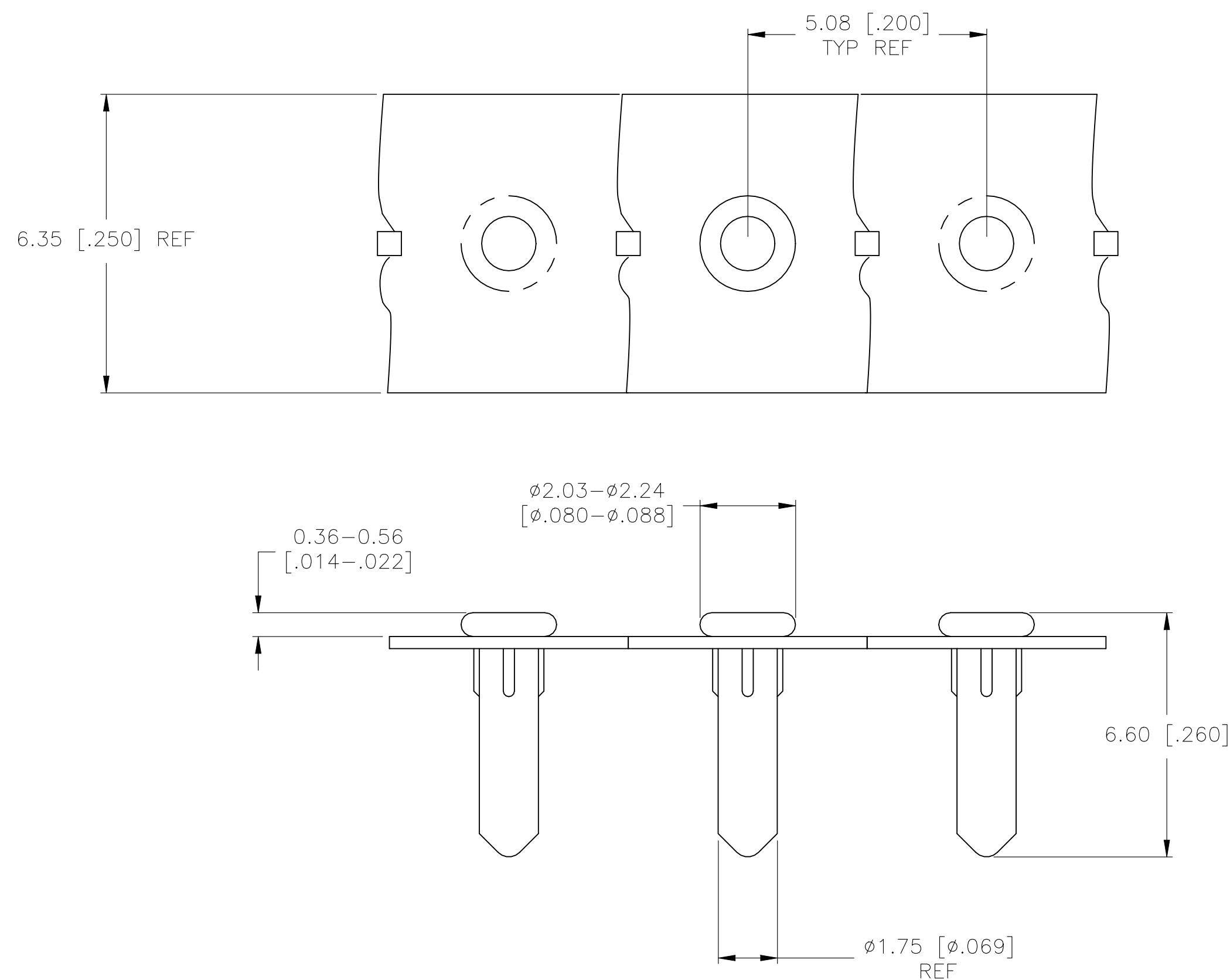
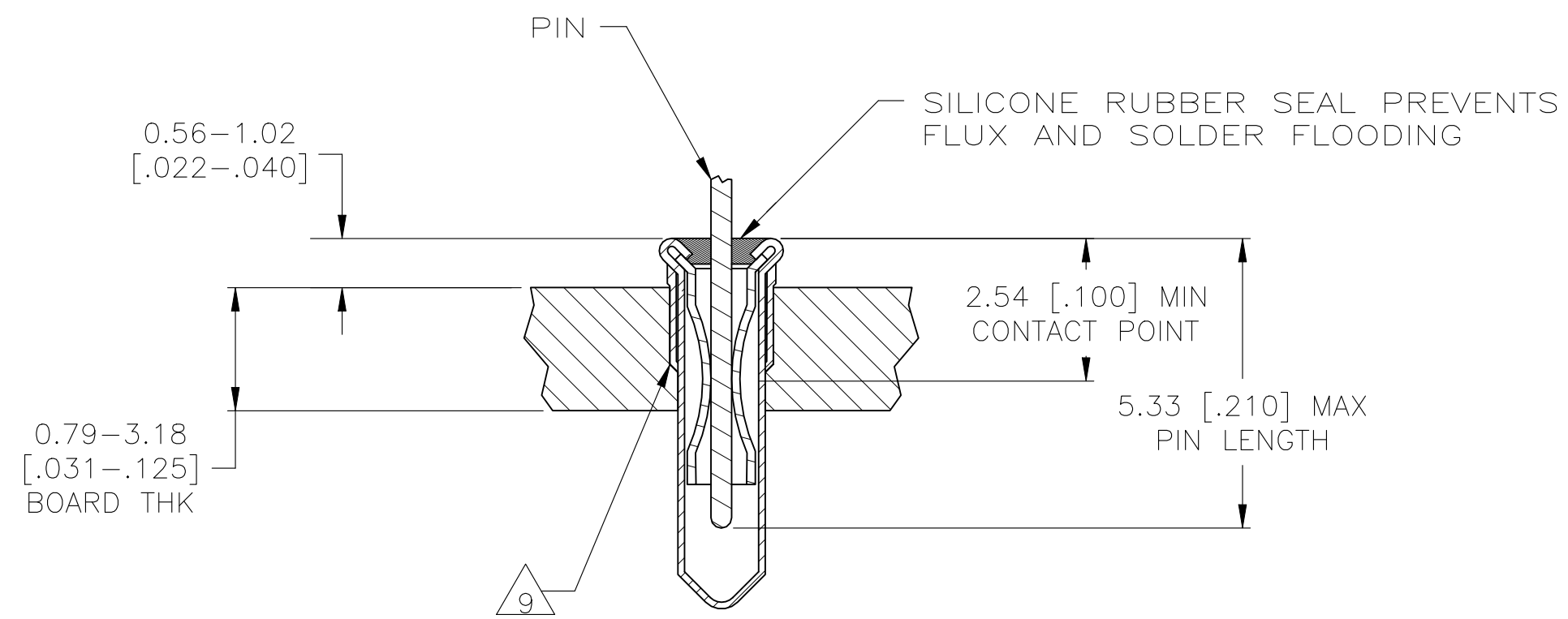


REVISIONS					
P	LTR	DESCRIPTION	DATE	DWN	APVD
	H2	REVISED AS PER ECR-24-199424	05FEB2024	NR	JK



- 1 MATERIAL:
EYELET- COPPER(QQ-C-576)
SPRING- BERYLLIUM-COPPER (QQ-C-533)
SEALANT- SILICONE RUBBER
- 2 TIN PLATE (MIL-T-10727) 0.00381 [.000150]
MINIMUM THICKNESS.
- 3 TIN PLATE (MIL-T-10727) 0.00254 [.000100]
MINIMUM THICKNESS.
- 4 NICKEL UNDERPLATE ALL OVER, MATING SURFACE PLATED TO MEET
PERFORMANCE REQUIREMENTS OF TYCO PRODUCT SPECIFICATION
108-14008.
- 5 PACKAGED 10,000 PER REEL.
- 6 TO ENSURE 1/2 OZ MIN RETENTION, DO NOT
EXCEED 0.50 [.002] DIFFERENCE IN PIN DIA
WHEN CHANGING TO A SMALLER DIA PIN.
- 7. APPLICATION TOOLING: MACHINE NO.- 817917-4.
- 8 TIN-LEAD PLATE 0.00381 [.000150]
MINIMUM THICKNESS.
- 9 SHOULDER ON SOCKET PROVIDES RETENTION IN THE
P.C. BOARD. THE RECOMMENDED HOLE DIAMETER IS
ø1.75 [ø.069] MINIMUM, + 0.08 [.003] MAXIMUM
PRIOR TO SOLDERING.
- 10 PACKAGED 50,000 PER REEL.
- 11 PACKAGED 100,000 PER REEL.
- 12 PRELIMINARY - NOT RELEASED FOR PRODUCTION.



REMARKS	PIN DIA	FINISH	SPRING	EYELET	PART NO.
11, 12	ø0.94-ø1.04 [ø.037-ø.041]	TIN	3	TIN	1-645501-5
10	ø0.94-ø1.04 [ø.037-ø.041]	TIN	3	TIN	1-645501-4
5	ø0.94-ø1.04 [ø.037-ø.041]	GOLD	4	TIN	1-645501-3
5	ø0.94-ø1.04 [ø.037-ø.041]	TIN	3	TIN	1-645501-2
5	ø0.94-ø1.04 [ø.037-ø.041]	GOLD	4	TIN	1-645501-1

THIS DRAWING IS A CONTROLLED DOCUMENT.		DWN K.SALMON 3-9-90	TE Connectivity		
DIMENSIONS: mm [INCHES]		CHK R.MILLER 3-13-90	MINIATURE SPRING SOCKET ASSY SERIES 4		
TOLERANCES UNLESS OTHERWISE SPECIFIED:		APVD -	NAME		
0 PLC ± -		PRODUCT SPEC 108-14008	DRAWING NO		
1 PLC ± -		APPLICATION SPEC 114-26004	SIZE A2	CAGE CODE 00779	DRAWING NO C-645501
2 PLC ± -		MATERIAL 1	WEIGHT 0.000000	SHEET 1 of 1	RESTRICTED TO -
3 PLC ± 0.20[.008]		FINISH SEE TABLE	CUSTOMER DRAWING	SCALE 10:1	REV H2
4 PLC ± -					
ANGLES ± -					