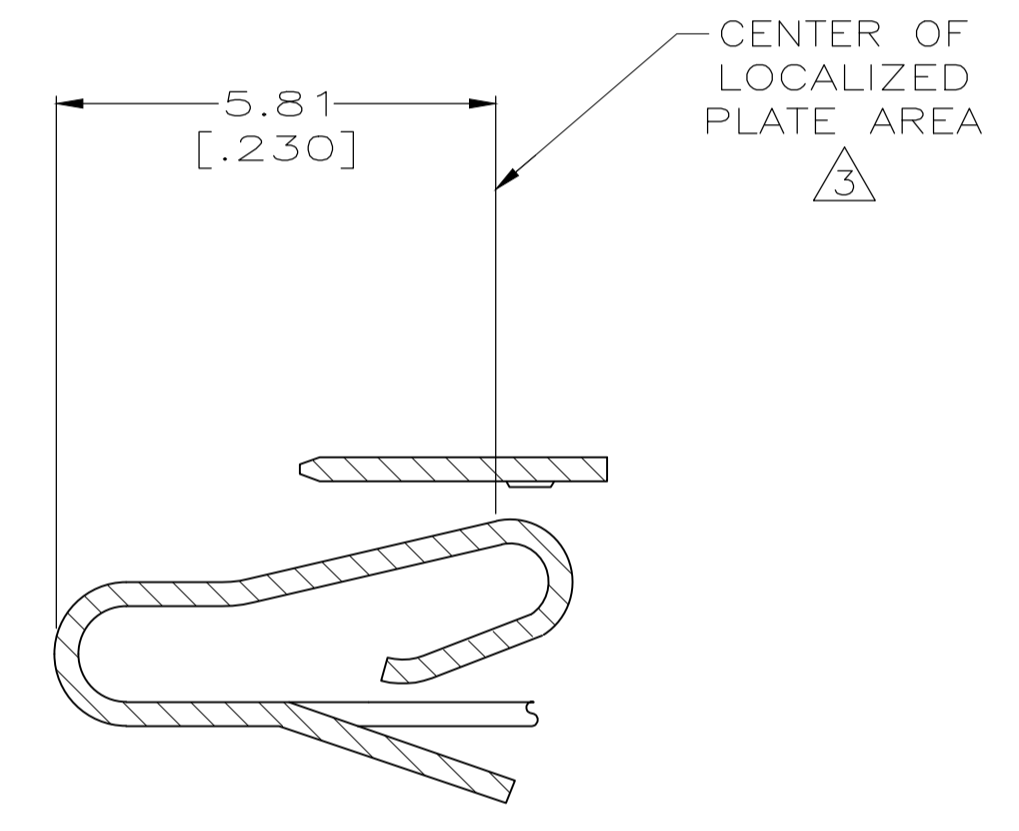
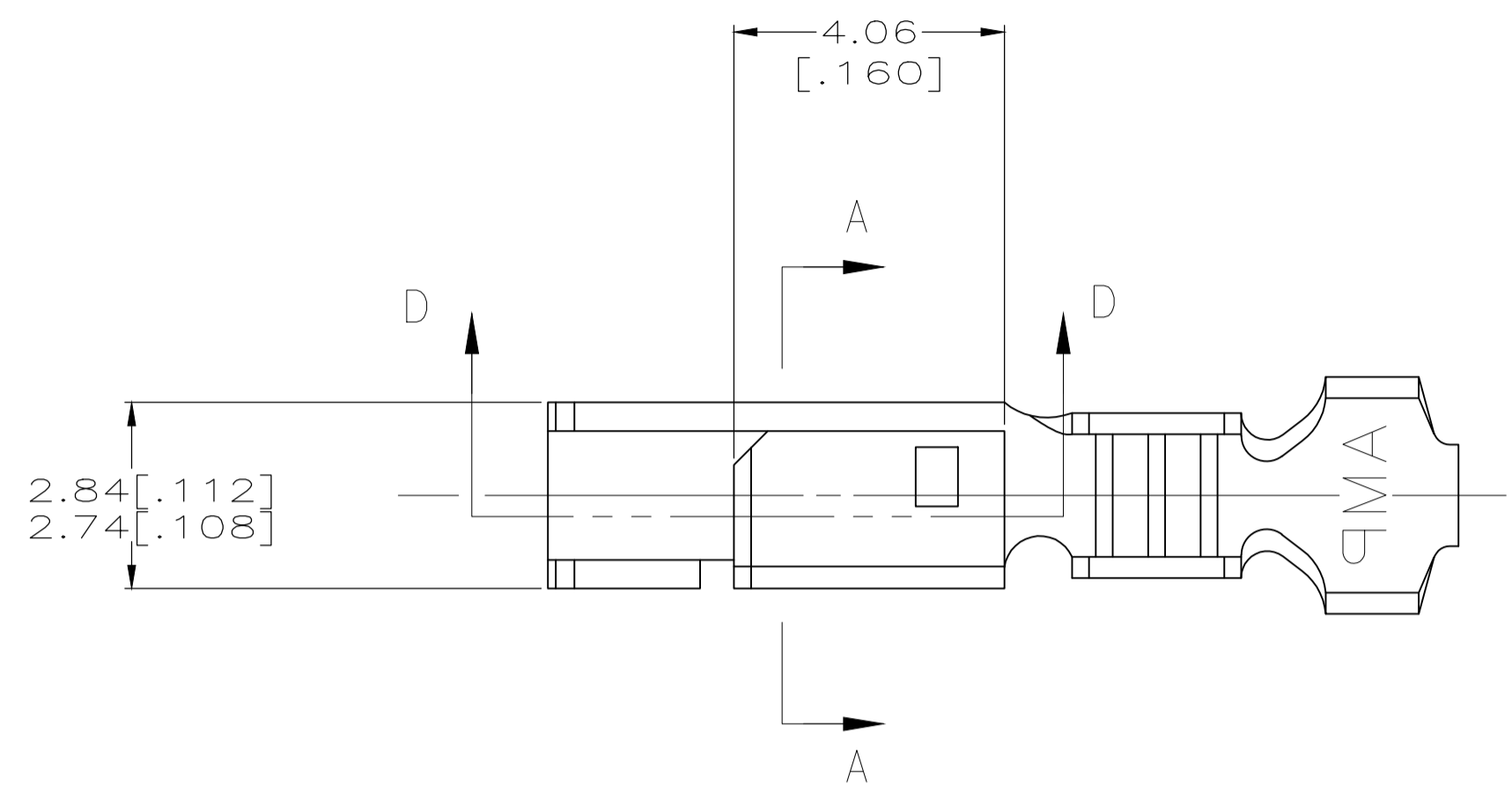
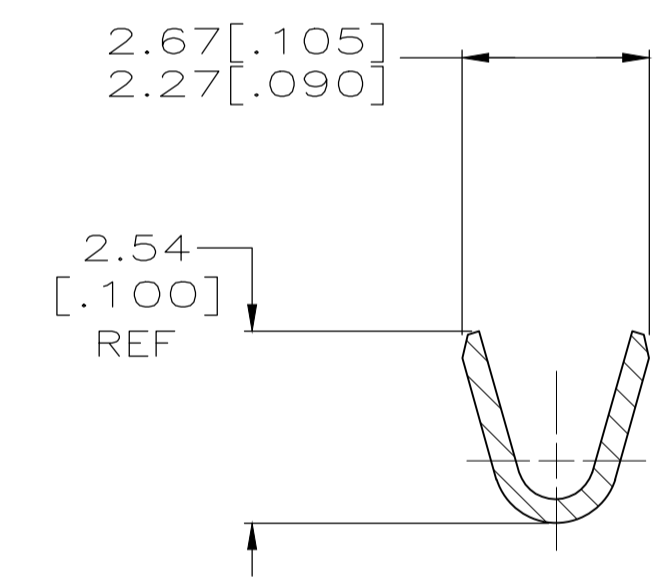
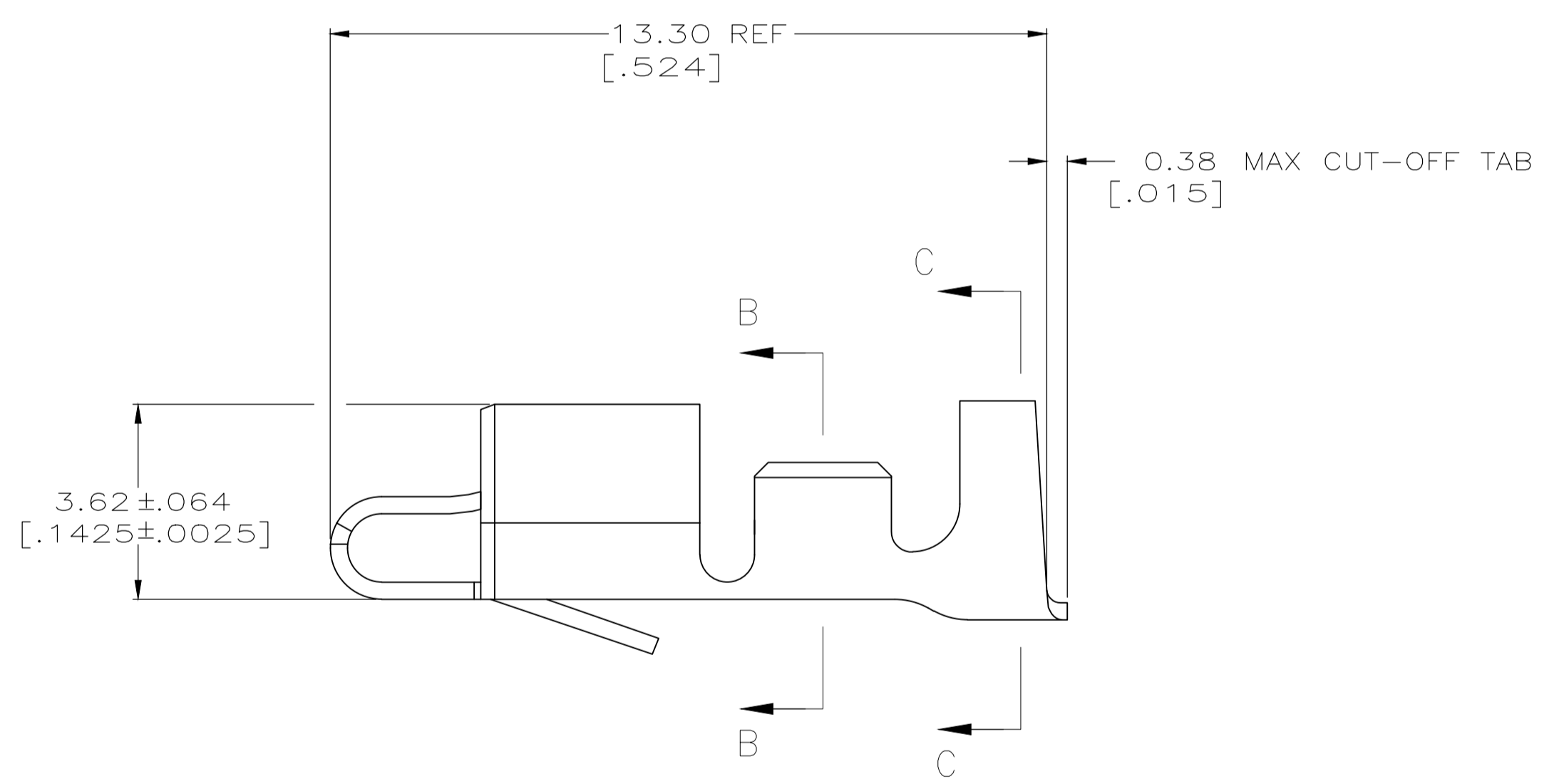


REVISIONS					
P	LTR	DESCRIPTION	DATE	DMN	APVD
C		REVISED PER ECR-18-019874	19MAR2019	BDA	SG

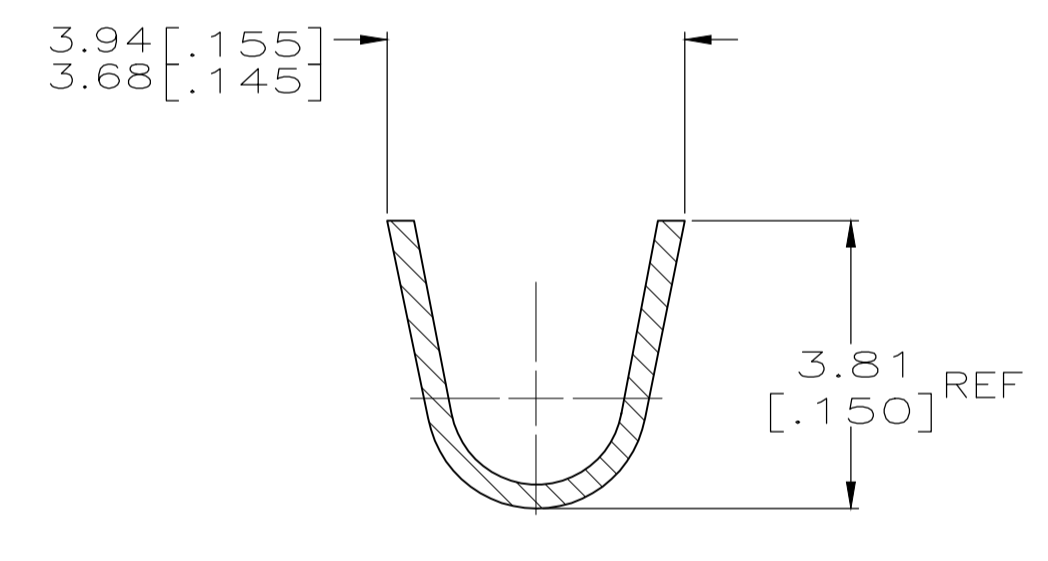
- INSULATION RANGE: 1.78-2.84 [.070-.112]  
 WIRE RANGE: 0.2-0.9 mm<sup>2</sup> (24-18) AWG.
- 0.00203 [.000080] MIN MATTE TIN-LEAD OVER  
 0.00127 [.000050] MIN NICKEL.
- 0.00076 [.000030] MIN THICK GOLD STRIPES IN  
 LOCALIZED PLATE AREA ON BEAM AND DIMPLE OVER  
 0.00127 [.000050] MIN THICK NICKEL OVER ENTIRE  
 CONTACT.
- DIMENSIONS IN BRACKETS ARE IN INCHES.
- FOR USE ONLY WITH LID STYLE HOUSING.
- 0.00203 [.000080] MIN MATTE TIN OVER  
 0.00127 [.000050] MIN NICKEL.
- OBSOLETE PARTS



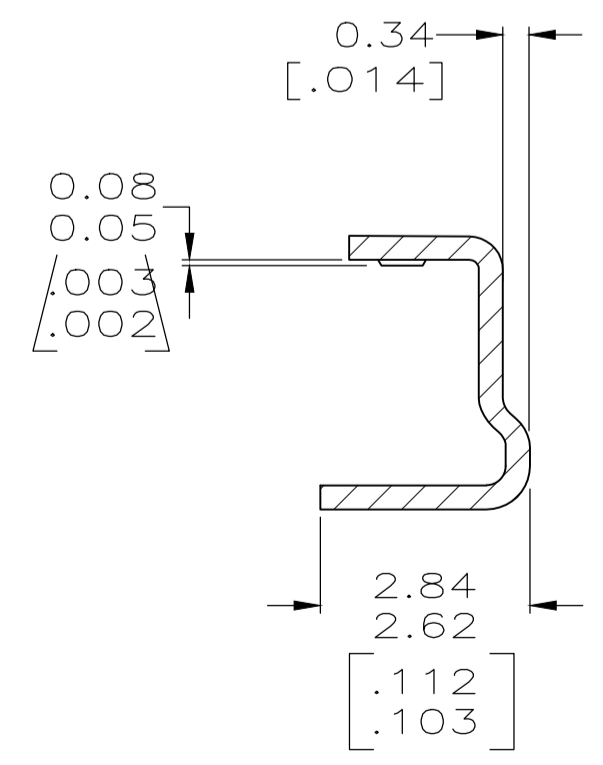
SECTION D-D



SECTION B-B



SECTION C-C



SECTION A-A  
 ROTATED 90° CCW

FINISH	MATERIAL	PART NO.	REVISIONS	
			DESCRIPTION	DATE
△6	PHOS BRONZE	3-647409-1		
△3	PHOS BRONZE	647409-2		
△7 SUPERSEDED	PHOS BRONZE	647409-1		
POST PLATE	PRE-PLATE			

THIS DRAWING IS A CONTROLLED DOCUMENT.

DMN: K. WHITAKER 15-JAN-2001	APVD: J. ELLIS 15-JAN-2001	TE Connectivity Ltd. SL-156 HOODED RECEPTACLE, LARGE DIA. INSULATION TYPE, LOOSE PIECE
CHK: J. ELLIS 15-JAN-2001	NAME: J. ELLIS 15-JAN-2001	
DIMENSIONS: mm [INCHES]	TOLERANCES UNLESS OTHERWISE SPECIFIED:	SIZE: 108-1049
0. PLC ± -	1. PLC ± -	APPLICATION SPEC: 114-1021
2. PLC ± -	3. PLC ± .005	WEIGHT: A1 00779 C=647409
4. PLC ± -	ANGLES ± -	CUSTOMER DRAWING
MATERIAL: SEE TABLE	FINISH: -	SCALE: 10:1 SHEET: 1 OF 1 REV: C