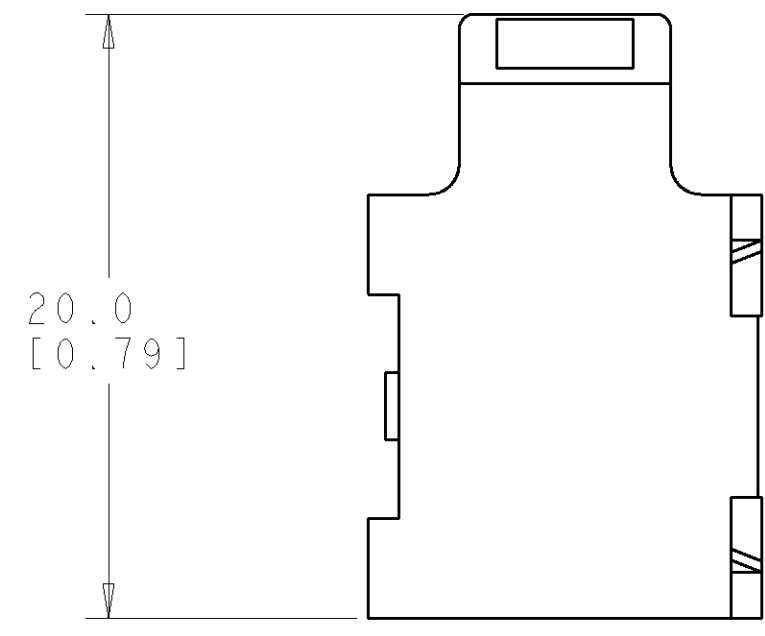


THIS DRAWING IS UNPUBLISHED. RELEASED FOR PUBLICATION 20  
 © COPYRIGHT 20 BY TYCO ELECTRONICS CORPORATION. ALL RIGHTS RESERVED.

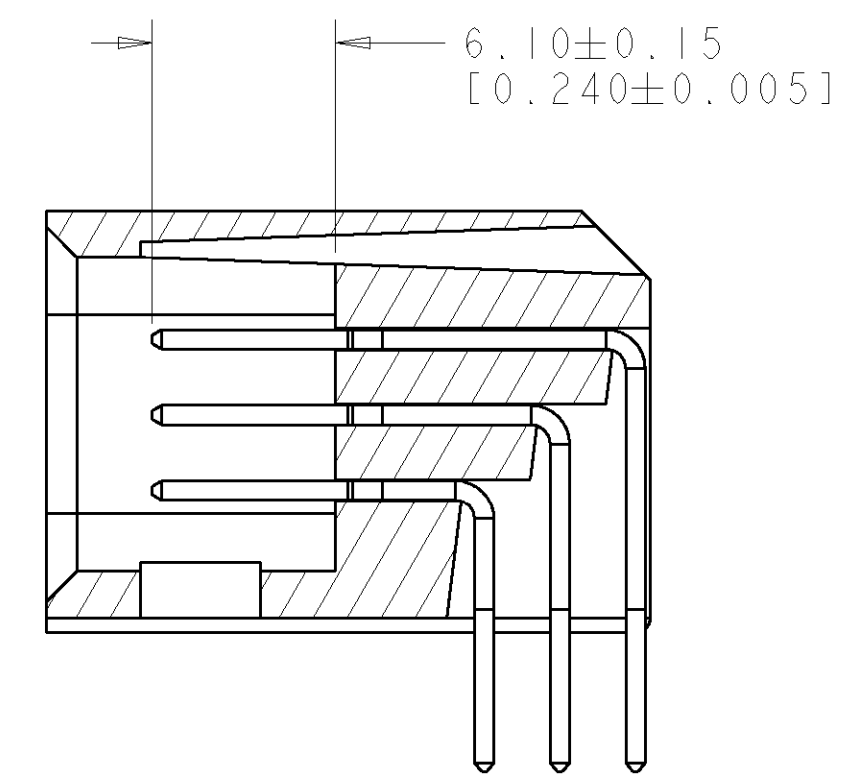
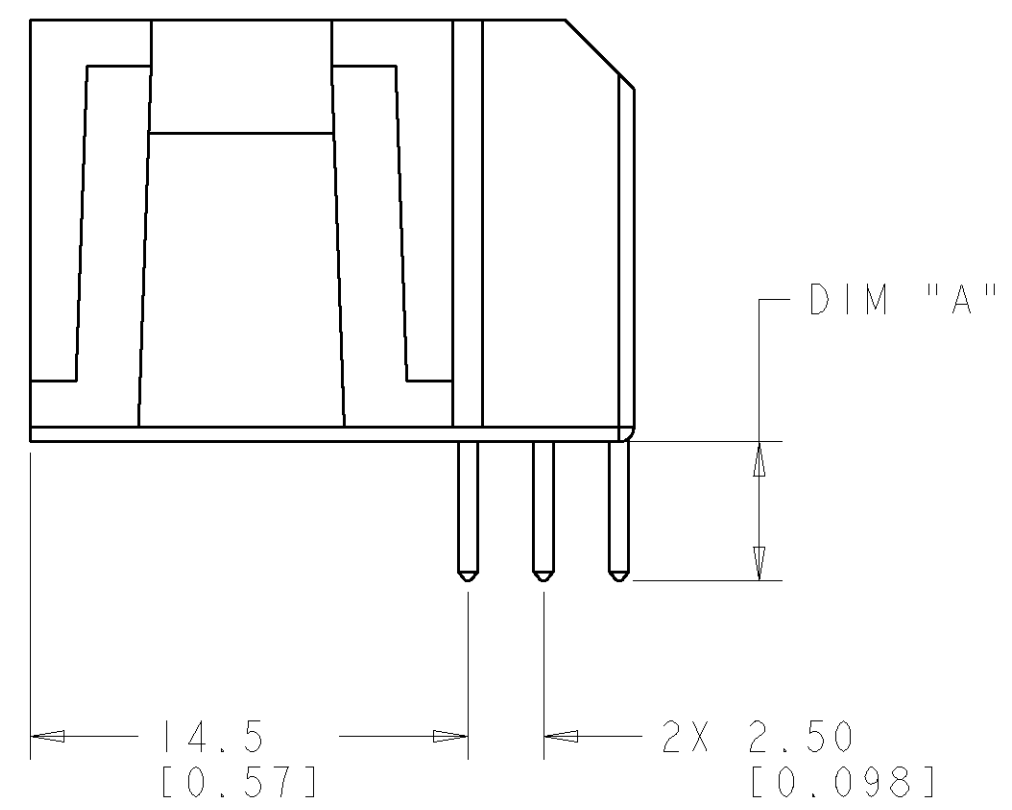
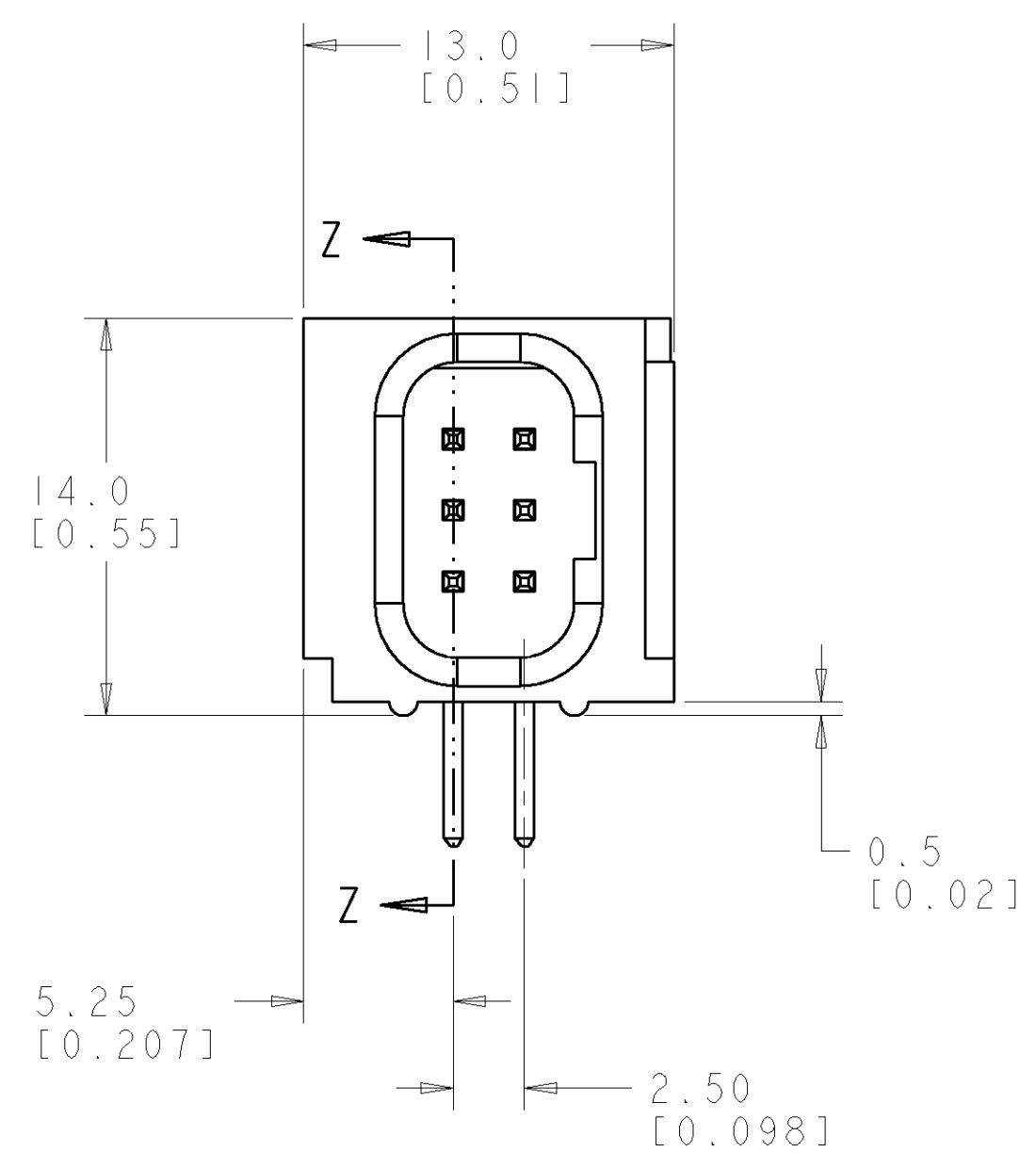
LOC	DIST	REVISIONS					
GP	00	P	LTR	DESCRIPTION	DATE	DWN	APVD
			A	NEW RELEASE	09MAR2007	RG	PD



- PART NUMBER CHANGES AND OR DESIGN CHANGES AFFECTING ITEM INTERCHANGEABILITY REQUIRE PRIOR TYCO APPROVAL AND AUTHORIZATION BY REVISION TO THIS DRAWING.
- MATERIAL:
  - INSULATORS - THERMOPLASTIC, GLASS REINFORCED, COLOR: BLACK UL94V-0 FLAMMABILITY RATED.
  - SIGNAL CONTACTS - BRASS ALLOY,
- FINISH:
  - CONTACTS - GOLD PLATE 0.76 MICROMETERS MIN. THK., OVER NICKEL 1.27 MICROMETERS MIN. THK
  - SOLDER TAILS, TIN 3.05 MICROMETERS MIN. THK. OVER NICKEL 1.27 MICROMETERS MIN. THK
- ITEMS PROVIDED TO THIS SPECIFICATION TO BE PERMANENTLY IDENTIFIED ON THE CONTAINER PER THE FOLLOWING IDENTIFIER LABEL

YEAR WEEK

TYCO PART NO. DATE CODE (e.g. 0106)  
 XXXXXXXX-X XXXX



SECTION Z-Z

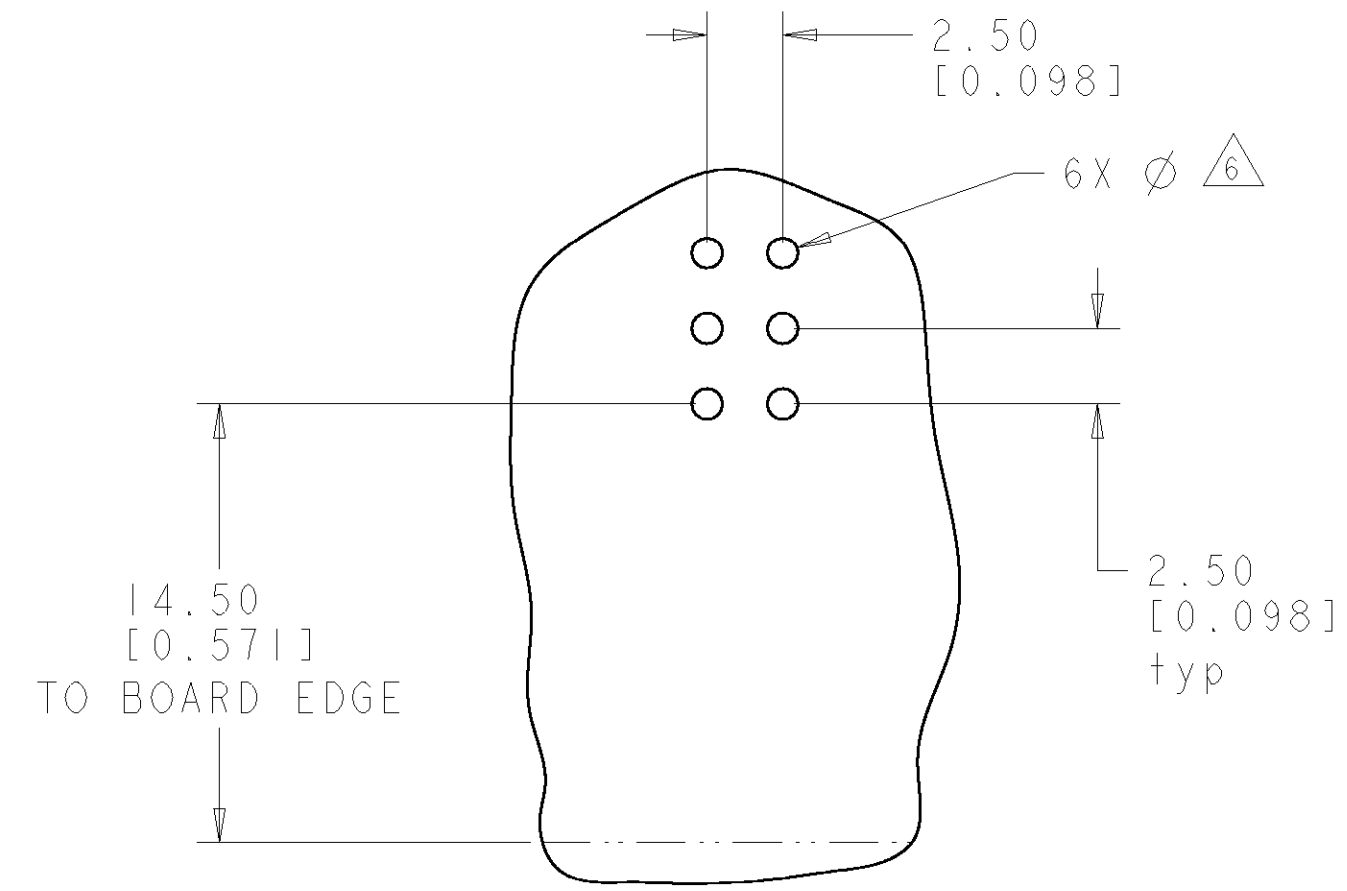
3.56-2.54 [.140-.100]	6648610-2
5.08-4.06 [.200-.160]	6648610-1
DIM "A"	PART NUMBER

ELCON FLATPAQ

DIMENSIONS:		TOLERANCES UNLESS OTHERWISE SPECIFIED:		APPROVALS		TYCO ELECTRONICS	
mm [INCHES]		0 PLC ±	±3	DWN	09MAR2007	Tyco Electronics Harrisburg, PA 17105-3608	
		1 PLC ±	±.3	CHK	09MAR2007	NAME PIN CONNECTOR, RIGHT ANGLE SOLDER, FP314 FLATPAQ	
		2 PLC ±	±.15	P. DAMATO	09MAR2007		
		3 PLC ±	±.15	APVD	09MAR2007	SIZE	CAGE CODE
		4 PLC ±	±	S. FLICKINGER		A2	00779
		ANGLES	±5			DRAWING NO	6648610
		FINISH				RESTRICTED TO	-
MATERIAL						SCALE	4:1
						SHEET	1 OF 3
						REV	A

THIS DRAWING IS UNPUBLISHED. RELEASED FOR PUBLICATION 20  
 © COPYRIGHT 20 BY TYCO ELECTRONICS CORPORATION. ALL RIGHTS RESERVED.

LOC	DIST	REVISIONS					
GP	00	P	LTR	DESCRIPTION	DATE	DWN	APVD
		-		SEE SHEET 1	-	-	-



PRINTED CIRCUIT BOARD LAYOUT  
 COMPONENT SIDE

CONNECTOR	CATALOG MODULE #	QTY	SIZE NO.	CONTACT QTY	MATING PIN	MAX. CURRENT (PER CONTACT)	CONTACT SPACING	VOLTAGE RATING
PIN	FP314	1	22	6	.64 [.025] SQ.	3 amps	2.50 [.0984]	125

ELCON FLATPAQ

THIS DRAWING IS A CONTROLLED DOCUMENT FOR TYCO ELECTRONICS CORPORATION. IT IS SUBJECT TO CHANGE AND THE CONTROLLING ENGINEERING ORGANIZATION SHOULD BE CONTACTED FOR THE LATEST REVISION.

DWN	R. GRZYBOWSKI	09MAR2007
CHK	P. DAMATO	09MAR2007
APVD	S. FLICKINGER	09MAR2007

**tyco** Tyco Electronics  
 Harrisburg, PA 17105-3608

NAME: PIN CONNECTOR, RIGHT ANGLE  
 SOLDER, FP314  
 FLATPAQ

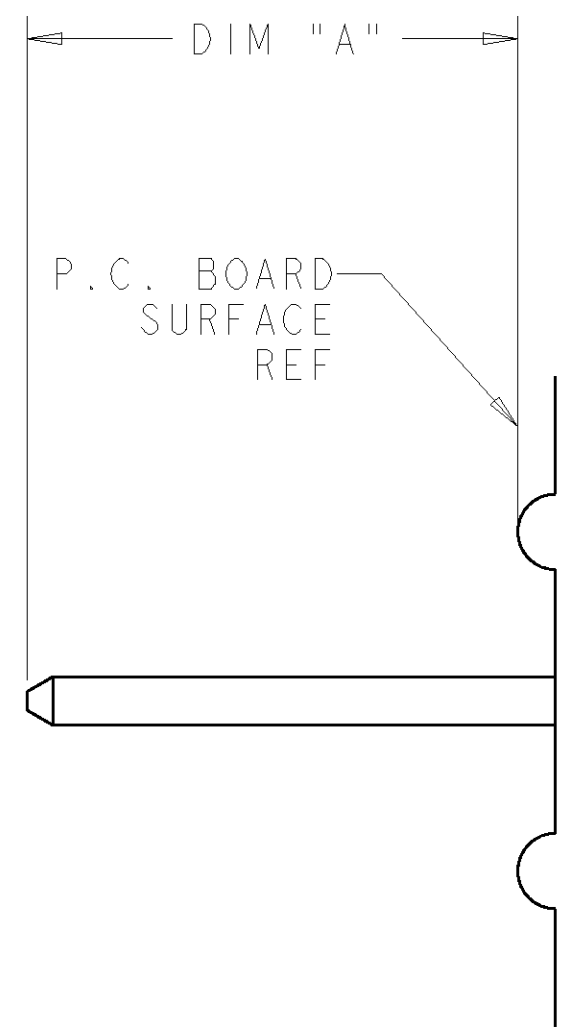
SIZE	CAGE CODE	DRAWING NO.	RESTRICTED TO
A2	00779	6648610	-

MATERIAL: - FINISH: - WEIGHT: -

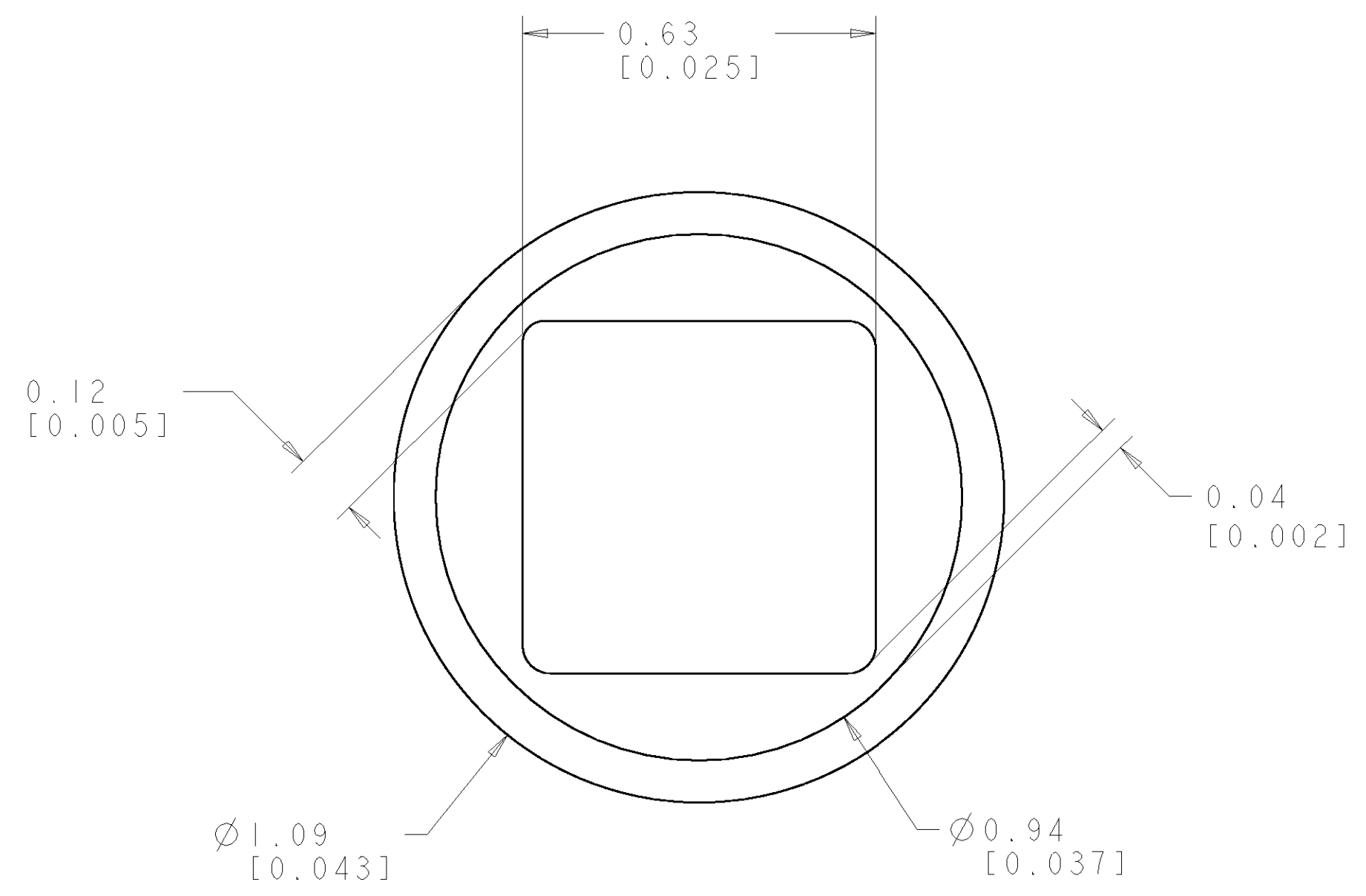
CUSTOMER DRAWING SCALE: 4:1 SHEET 2 OF 3 REV A

THIS DRAWING IS UNPUBLISHED. RELEASED FOR PUBLICATION 20  
 © COPYRIGHT 20 BY TYCO ELECTRONICS CORPORATION. ALL RIGHTS RESERVED.

LOC	DIST	REVISIONS			
P	LTR	DESCRIPTION	DATE	DWN	APVD
GP	00	-	SEE SHEET 1	-	-



5. SOLDER PIN DETAIL  
SCALE 10:1



6. SOLDER TERMINATION AREA  
SCALE 40:1  
 RECOMMENDED PRINTED CIRCUIT SOLDER HOLE  
 FINISHED HOLE:  $\phi 1.02$  [0.040]  $\pm 0.08$  [0.003]  
 DRILLED HOLE:  $\phi 1.15$  [0.0453]  $\pm 0.13$  [0.0005]  
 COPPER PLATE: .025 [0.0010] MIN  
 TIN PLATE: .008 [0.0003] MIN. (PER SURFACE)

**ELCON** **FLATPAQ**

<small>THIS DRAWING IS A CONTROLLED DOCUMENT FOR TYCO ELECTRONICS CORPORATION          IT IS SUBJECT TO CHANGE AND THE CONTROLLING ENGINEERING ORGANIZATION          SHOULD BE CONTACTED FOR THE LATEST REVISION.</small>		DWN R. GRZYBOWSKI CHK P. DAMATO APVD S. FLICKINGER	09MAR2007 09MAR2007 09MAR2007	<b>tyco</b> <b>Electronics</b>	Tyco Electronics Harrisburg, PA 17105-3608
DIMENSIONS: mm [INCHES]	TOLERANCES UNLESS OTHERWISE SPECIFIED: 0 PLC $\pm$ .3 1 PLC $\pm$ .3 2 PLC $\pm$ .15 3 PLC $\pm$ .15 4 PLC $\pm$ .15 ANGLES $\pm$ S FINISH	NAME PIN CONNECTOR, RIGHT ANGLE SOLDER, FP314 FLATPAQ	SIZE A2	CAGE CODE 200779	DRAWING NO 6648610
MATERIAL -	FINISH -	PRODUCT SPEC - APPLICATION SPEC - WEIGHT -	RESTRICTED TO -	SCALE 4:1	SHEET 3 OF 3
CUSTOMER DRAWING			REV A		