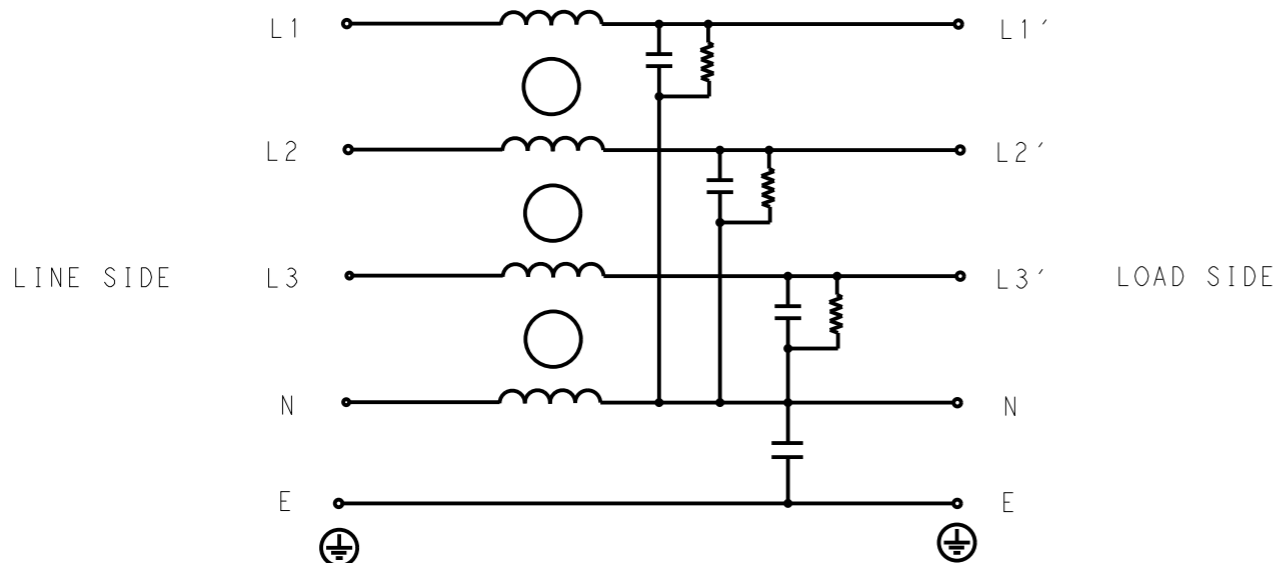


REVISIONS

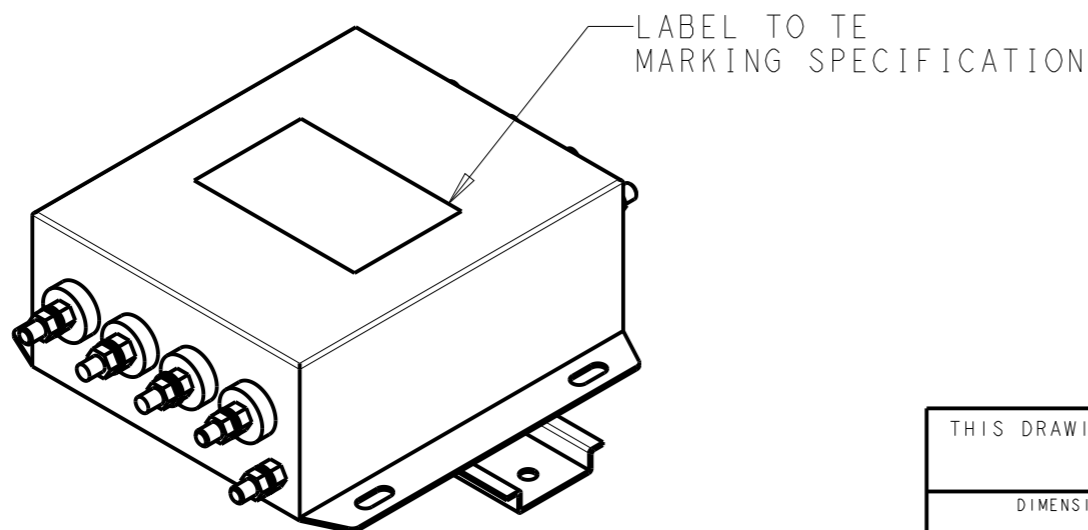
P	LTR	DESCRIPTION	DATE	DWN	APVD
	A	INITIAL RELEASE	14APR2021	SR	CB



SCHEMATIC

TYPICAL INSERTION LOSS
COMMON MODE 50/50Ω; DIFFERENTIAL MODE 50/50Ω

MHz	0.01	0.05	0.15	0.5	1	3	5	10	30
CM	4	4	11	24	32	42	48	34	20
DM	14	20	28	42	50	30	26	20	22



SAFETY ORGANIZATIONS

THIS FILTER WILL BE FORMALLY RECOGNIZED, CERTIFIED OR APPROVED BY THE LISTED AGENCY. THEREFORE, ALL TEST/REQUIREMENTS SPECIFIED IN THE LATEST REVISION OF THE FOLLOWING AGENCY STANDARDS WILL BE MET:

UL APPROVED	50A 520V 50Hz/60Hz 40°C
CSA PENDING	50A 520V 50Hz/60Hz 40°C

OPERATING SPECIFICATION

LINE CURRENT/VOLTAGE: 50A, 520VAC
LINE FREQUENCY: 50/60Hz

MAXIMUM LEAKAGE CURRENT: 5mA @ 230VAC, 50Hz

OPERATING AMBIENT TEMPERATURE RANGE @ RATED CURRENT: -25°C TO +40°C

IN AN AMBIENT, T_a, HIGHER THAN 40°C, THE MAXIMUM OPERATING CURRENT, I_o, IS AS FOLLOWS:

$$I_o = I_r \sqrt{\frac{85 - T_a}{45}}$$

RELIABILITY SPECIFICATIONS

STORAGE TEMPERATURE: -40°C TO +85°C
HUMIDITY: 21 DAYS @ 40°C AND 95% RH

TEST SPECIFICATIONS

INDUCTANCE, NOMINAL: 0.25mH

CAPACITANCE @ 1kHz

LINE TO GROUND, NOMINAL: 22nF
LINE TO NEUTRAL, NOMINAL: 470nF

DISCHARGE RESISTOR

L/G I.R.	2MΩ	1W
L/L I.R.	2MΩ	1W
L/N I.R.	1MΩ	1W
N/G I.R.	680KΩ	1W

IR (NO DISCHARGE RESISTOR) 20°C, 50% RH AND 100VDC, MIN: 6MΩ

RECOMMENDED RECEIVING INSPECITON HIPOT

LINE TO GROUND FOR 1 MINUTE: 2856VDC
LINE TO LINE FOR 1 MINUTE: 2236VDC
LINE TO NEUTRAL FOR 1 MINUTE: 1290VDC

FILTER APPROVAL

THE BEST WAY TO SELECT AND QUALIFY A FILTER IS FOR YOUR ENGINEERING TO TEST THE UNIT IN YOUR EQUIPMENT.

THIS DRAWING IS A CONTROLLED DOCUMENT.		DWN SUPREETH R 14APR2021		
		CHK CHRIS BOLLE 14APR2021		
		APVD CHRIS BOLLE 14APR2021	NAME POWER LINE FILTER FOR DIN RAIL 35 INSTALLATION 50KESS6BFPWVM	
DIMENSIONS: mm		PRODUCT SPEC -	SIZE A300779 CAGE CODE G-7-1609966-4	
TOLERANCES UNLESS OTHERWISE SPECIFIED:		APPLICATION SPEC -	DRAWING NO G-7-1609966-4	
0 PLC ±-		WEIGHT -	RESTRICTED TO -	
1 PLC ±0.5				
2 PLC ±0.40				
3 PLC ±0.130				
4 PLC ±0.0500				
ANGLES ±-				
MATERIAL -		SCALE 1:2 SHEET 1 OF 2 REV A		
FINISH -		CUSTOMER DRAWING		

© 2021 TE Connectivity. All Rights Reserved.

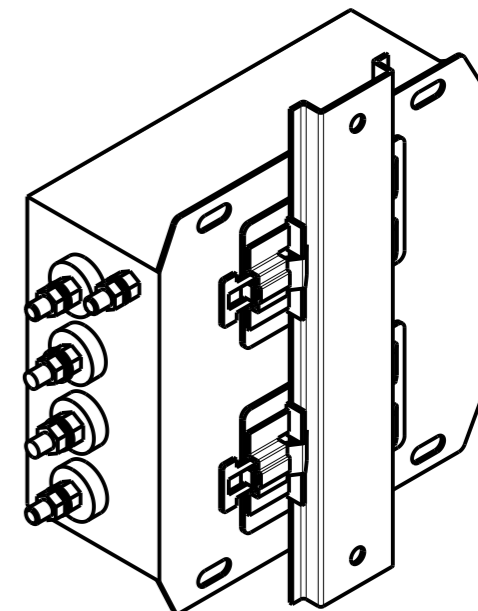
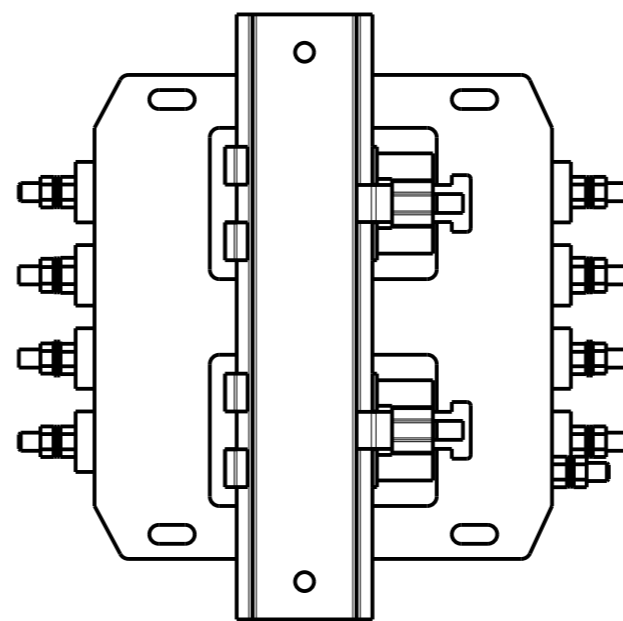
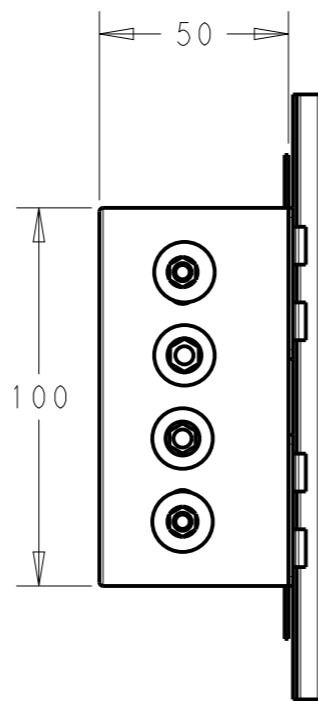
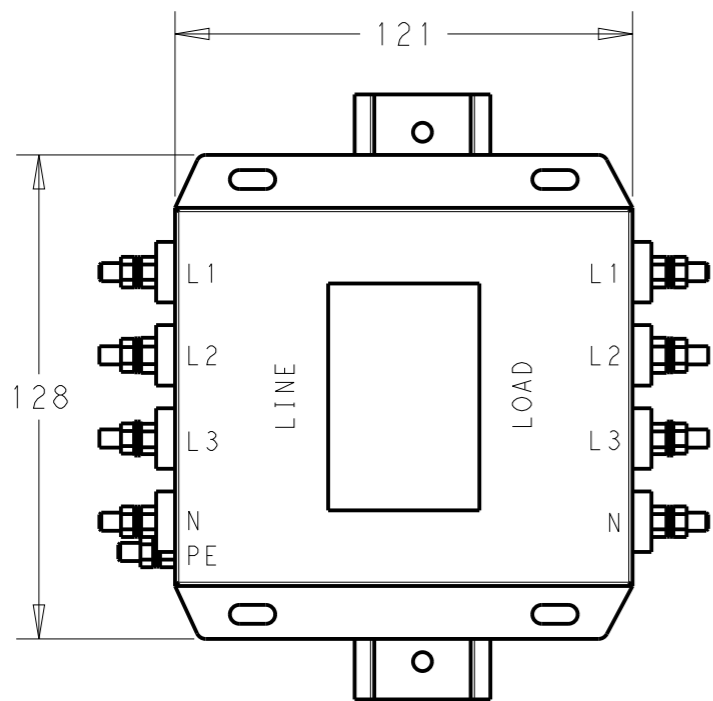
NOTE 1 GROUND CONNECTION:
 FOR ELECTRICAL SAFETY AND FILTER PERFORMANCE
 UNIT MUST HAVE A GOOD GROUND CONNECTION.
 TORQUE OUTER TERMINAL /GROUND NUTS: 2.5-3Nm

NOTE 2 INPUT OUTPUT CONNECTION TERMINAL
 AWG SIZE: XXX
 THREADED BOLT SIZE FOR TERMINAL: M6
 THREADED BOLT SIZE FOR GROUND: M6

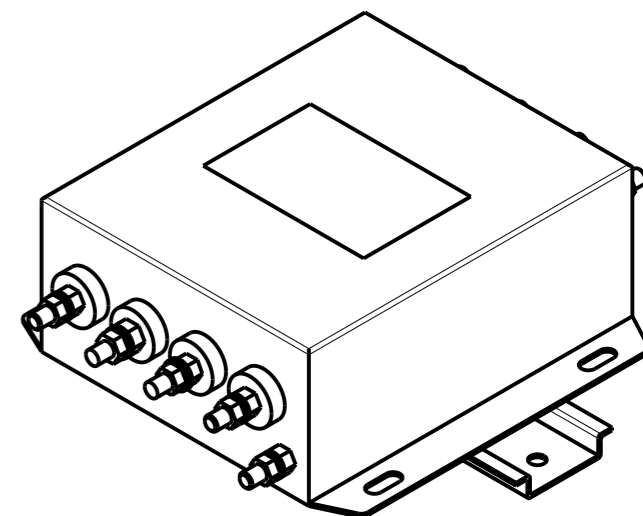
NOTE 3 SUPPLIED WITH DIN RAIL BRACKET.

NOTE 4 DRAWING SHOWS DIN RAIL FOR REFERENCE ONLY.

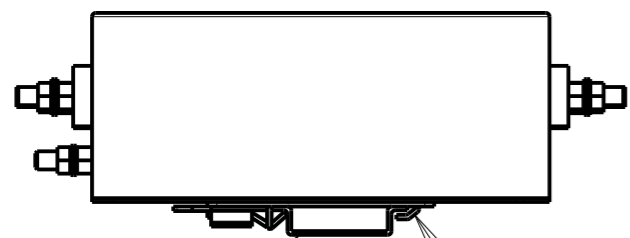
REVISIONS					
P	LTR	DESCRIPTION	DATE	DWN	APVD
		SEE SHEET 1			



REAR SIDE



FRONT SIDE



DIN RAIL BRACKET — DIN 35 BRACKET

THIS DRAWING IS A CONTROLLED DOCUMENT.		DWN SUPREETH R 14APR2021			
		CHK CHRIS BOLLE 14APR2021			
		APVD CHRIS BOLLE 14APR2021	NAME POWER LINE FILTER FOR DIN RAIL 35 INSTALLATION 50KESS6BFPWVM		
DIMENSIONS: mm		PRODUCT SPEC -	SIZE A300779 CAGE CODE G-7-1609966-4		
TOLERANCES UNLESS OTHERWISE SPECIFIED:		APPLICATION SPEC -	DRAWING NO C-7-1609966-4		
0 PLC ±-		WEIGHT -	RESTRICTED TO -		
1 PLC ±0.5		CUSTOMER DRAWING			
2 PLC ±0.40					
3 PLC ±0.130		SCALE 1:2 SHEET 2 OF 2 REV A			
4 PLC ±0.0500					
ANGLES ±-					
MATERIAL -					
FINISH -					