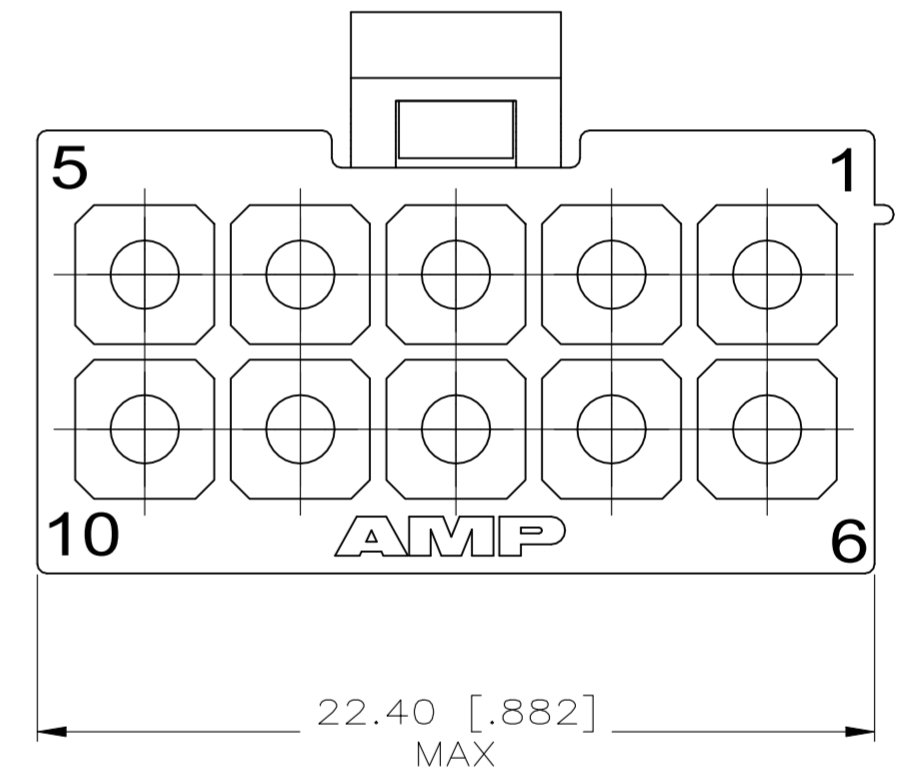
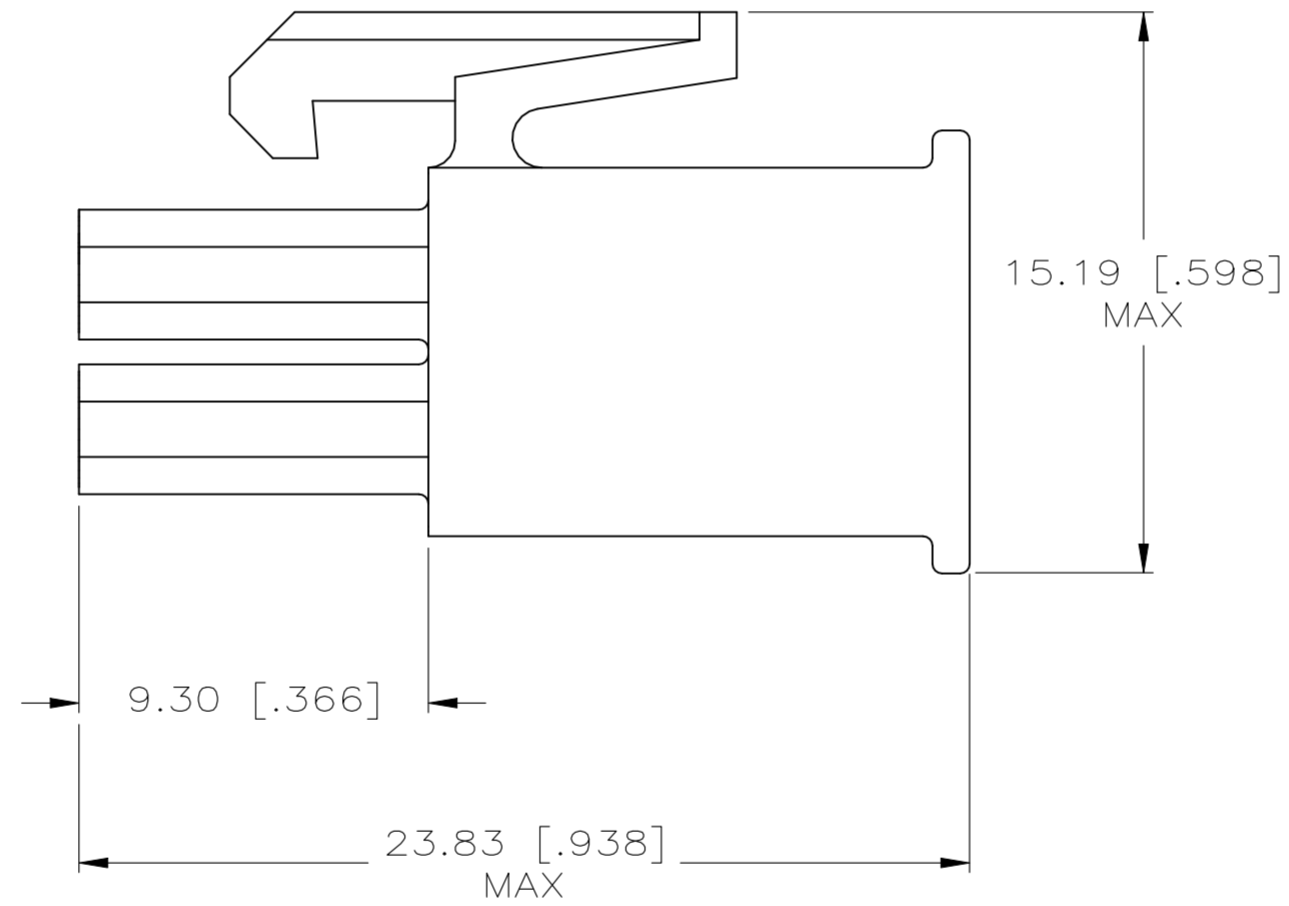
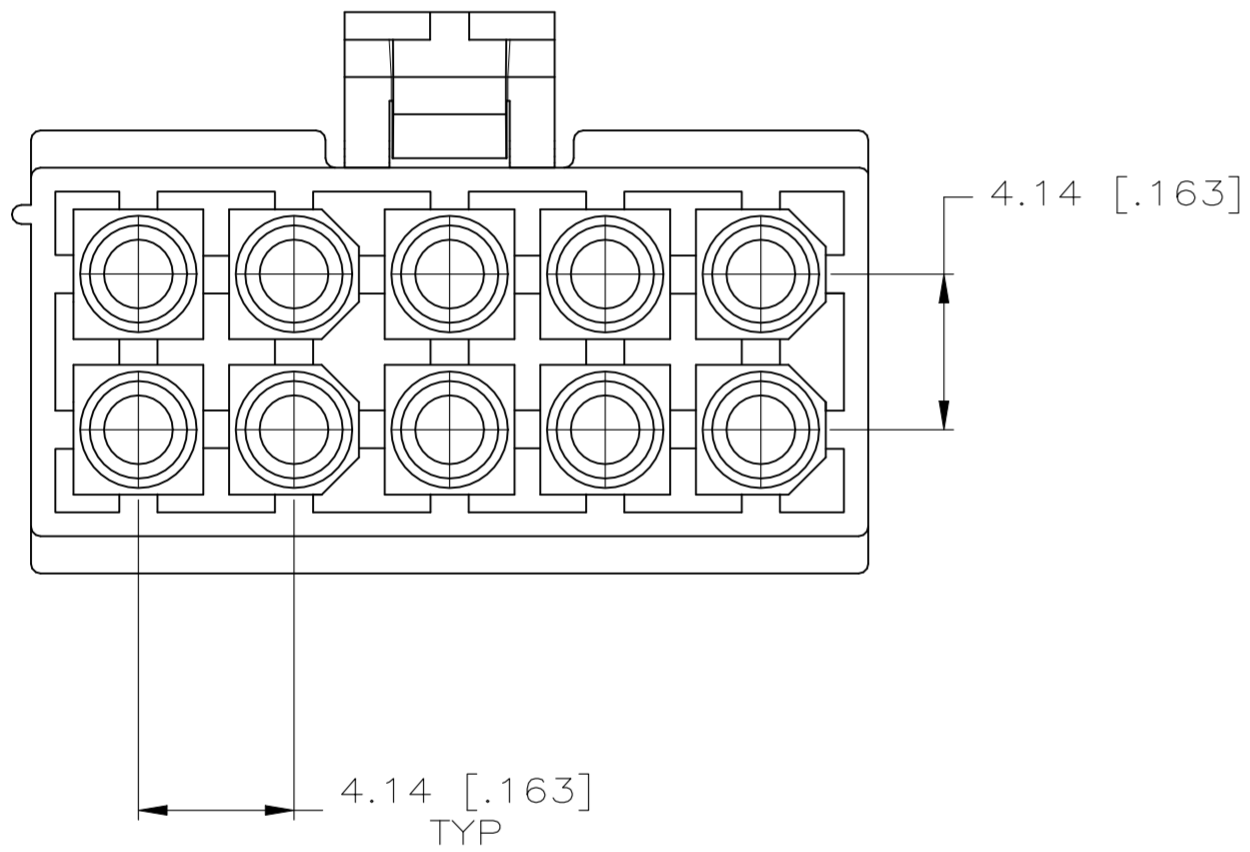
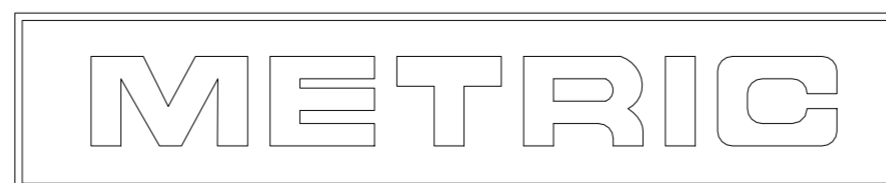


REVISIONS					
P	LTR	DESCRIPTION	DATE	DWN	APVD
	H	REVISED PER ECR-24-208943	17MAY2024	DK	JP

- INDIVIDUAL CORING FEATURES AROUND BASES OF SILOS MAY NOT BE PRESENT IN ALL LOCATIONS SHOWN.



770580-1  
PART NUMBER



THIS DRAWING IS A CONTROLLED DOCUMENT.		DWN S. HOOVER 12-MAY-2004		
DIMENSIONS: mm [INCHES]		CHK C. JONES 12-MAY-2004		
TOLERANCES UNLESS OTHERWISE SPECIFIED:		APVD C. JONES 12-MAY-2004	NAME	
0 PLC ±		PRODUCT SPEC		
1 PLC ±		APPLICATION SPEC		
2 PLC ±		SIZE CAGE CODE DRAWING NO		
3 PLC ± 0.13 [.005]		RESTRICTED TO		
4 PLC ±		WEIGHT 0.000000 A2 00779 C=770580		
ANGLES ±		CUSTOMER DRAWING SCALE 5:1 SHEET 1 OF 1 REV H		
FINISH				
MATERIAL NYLON, UL 94V-0 WHITE				