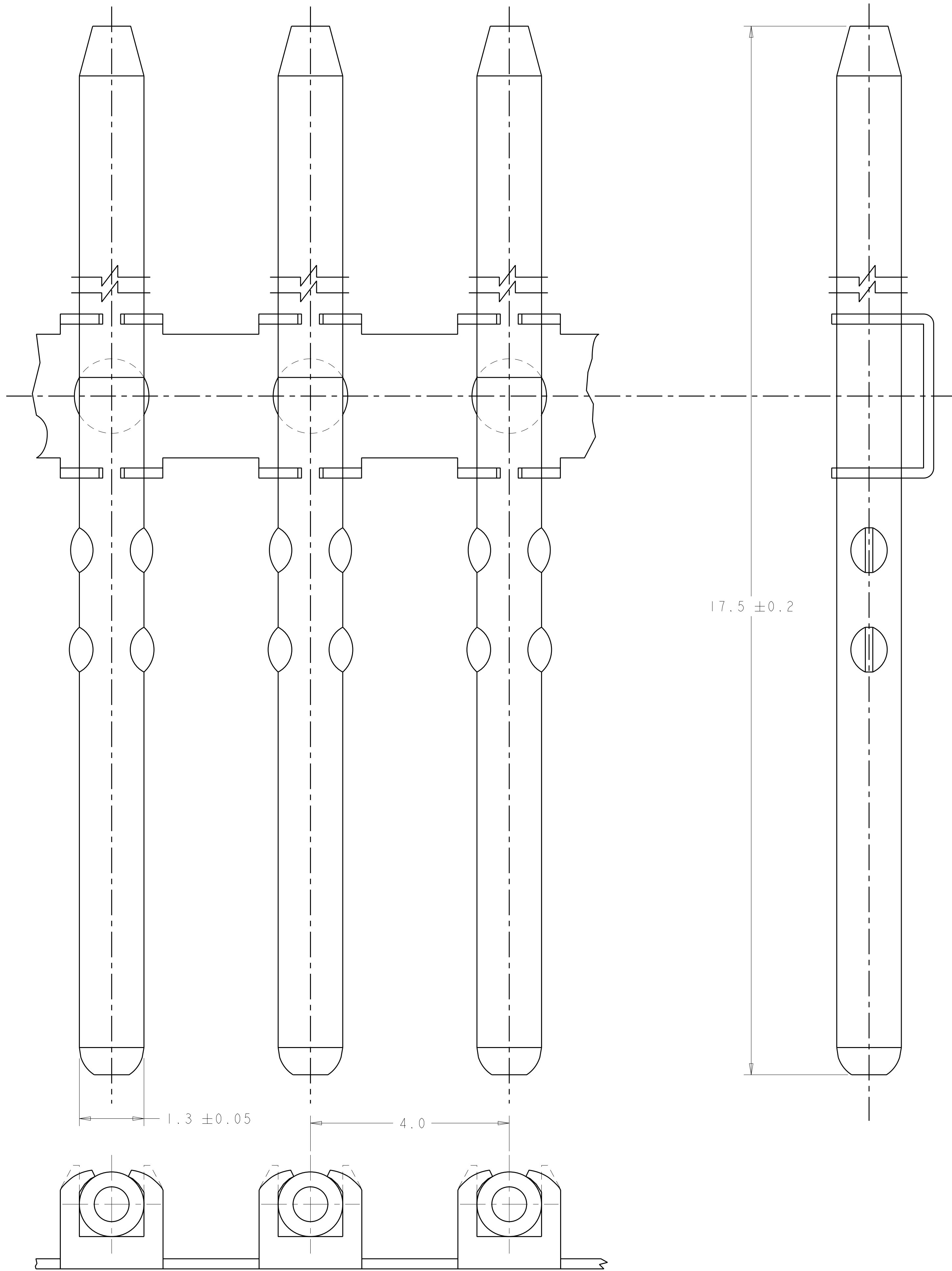
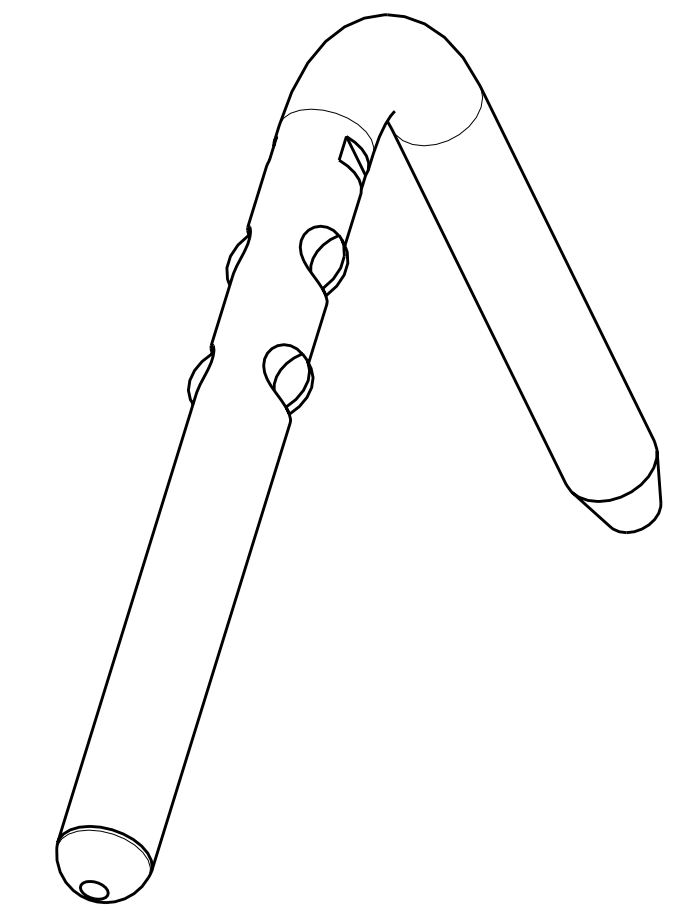


| LOC | DIST | REVISIONS | | | |
|-----|------|---------------------------|-----------|-----|------|
| REV | LTG | DESCRIPTION | DATE | DWN | APVD |
| A | | EC OK40-0251-03 | 14MAR2003 | JRB | DHC |
| B | | REVISED PER ECO-09-005004 | 21FEB2009 | DLD | DHC |



1. PART NUMBER 1-776265-0 REELED ON NON-RETURNABLE REEL.



SCALE 10:1

1-776265-0
PART NUMBER

| | | | |
|--|---|---|--|
| <small>THIS DRAWING IS UNPUBLISHED. RELEASED FOR PUBLICATION BY TYCO ELECTRONICS CORPORATION. ALL RIGHTS RESERVED.</small> | | DWN: JR BUSSARD 06JUN2002 CHK: DH CROWE 06JUN2002 APVD: DH CROWE 06JUN2002 | Tyco Electronics Harrisburg, PA 17105-3608 |
| DIMENSIONS: mm | TOLERANCES UNLESS OTHERWISE SPECIFIED: 0 PLC ± 1 PLC ± 2 PLC ± 3 PLC ± 4 PLC ± ANGLES ± FINISH ± | NAME: PIN, BANDOLIER, TIN, AMPSEAL PRODUCT SPEC: APPLICATION SPEC: WEIGHT: CUSTOMER DRAWING | SIZE: A 00779 C=776265 SCALE: 20:1 SHEET: 1 OF 1 REV: B |