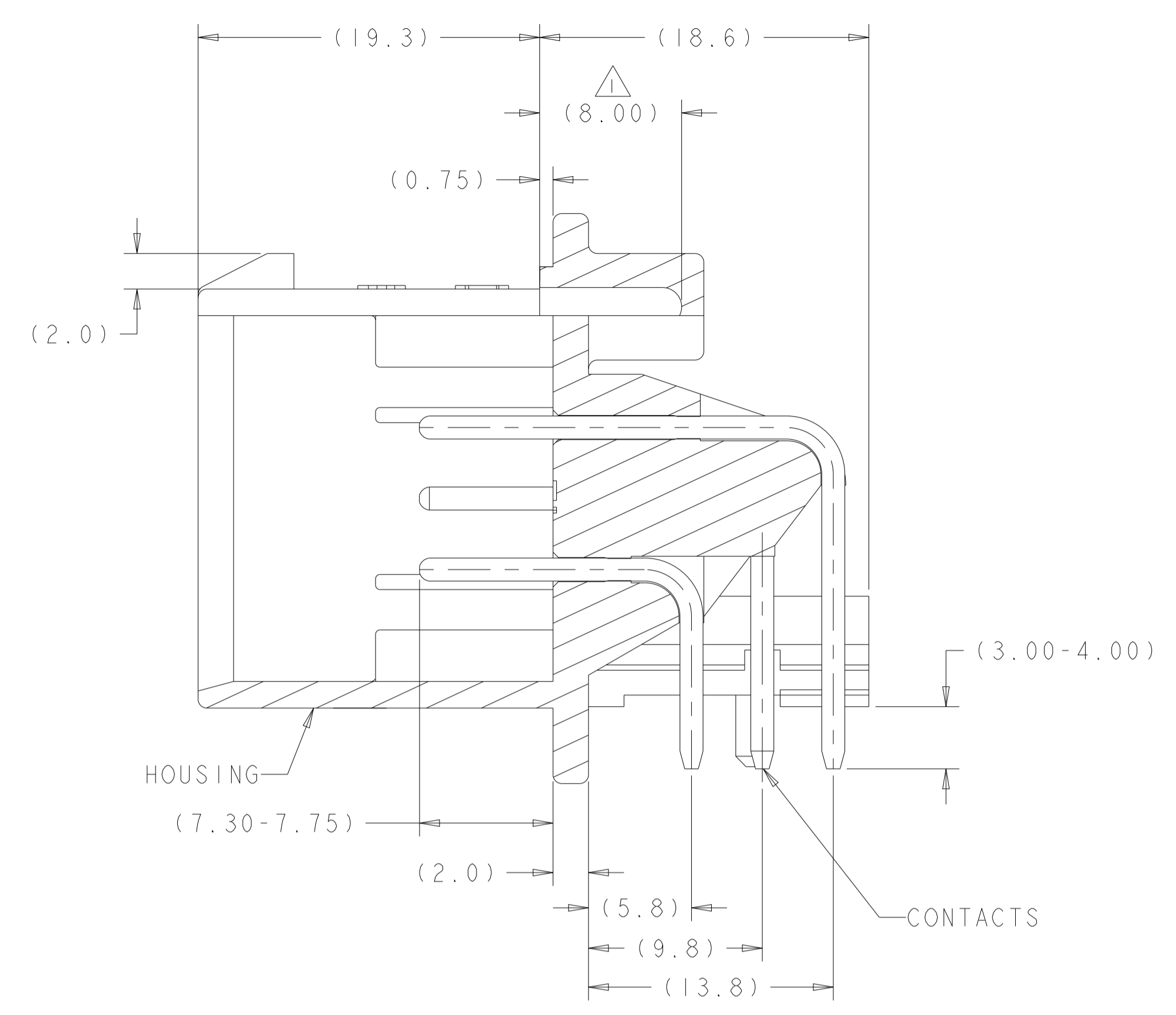
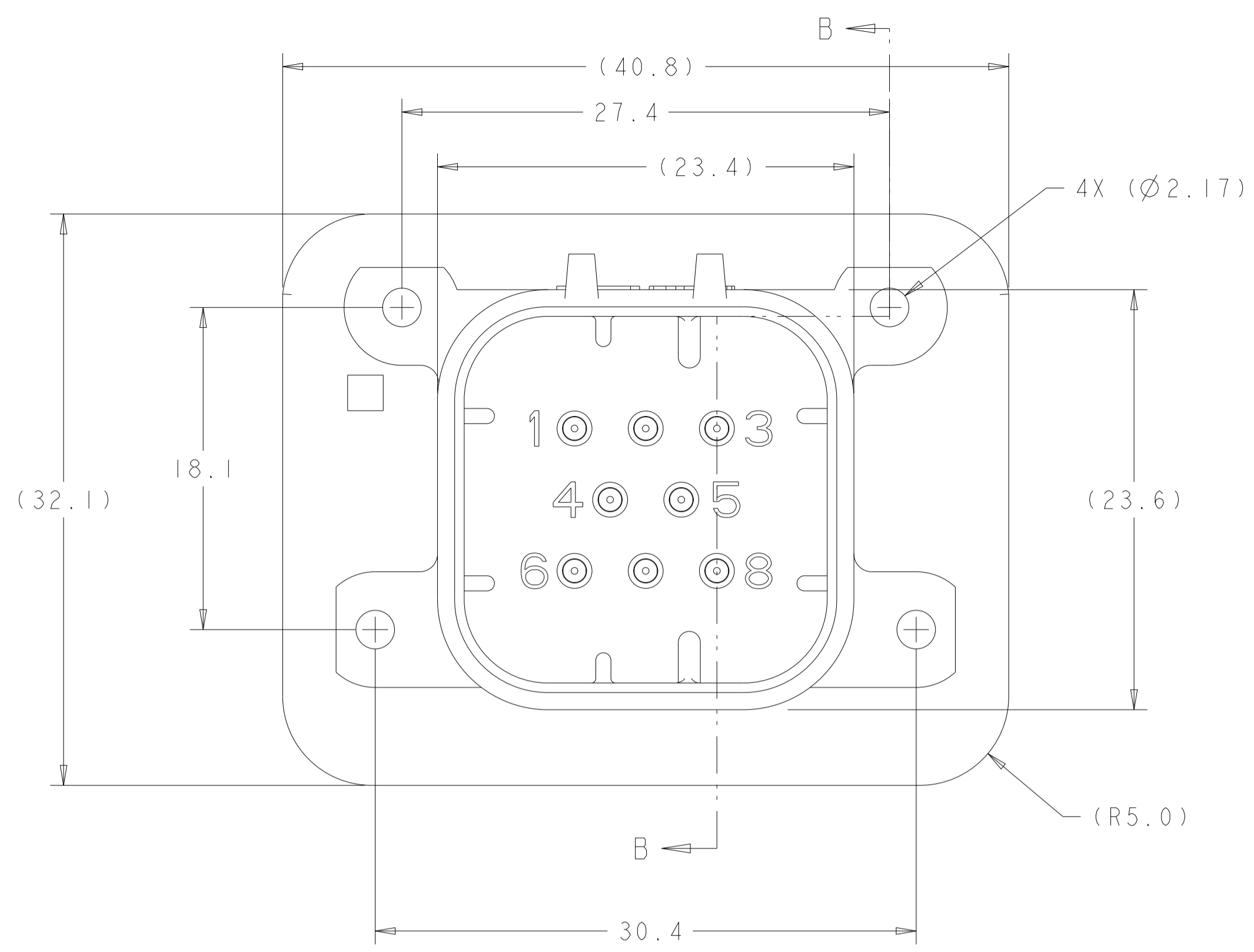
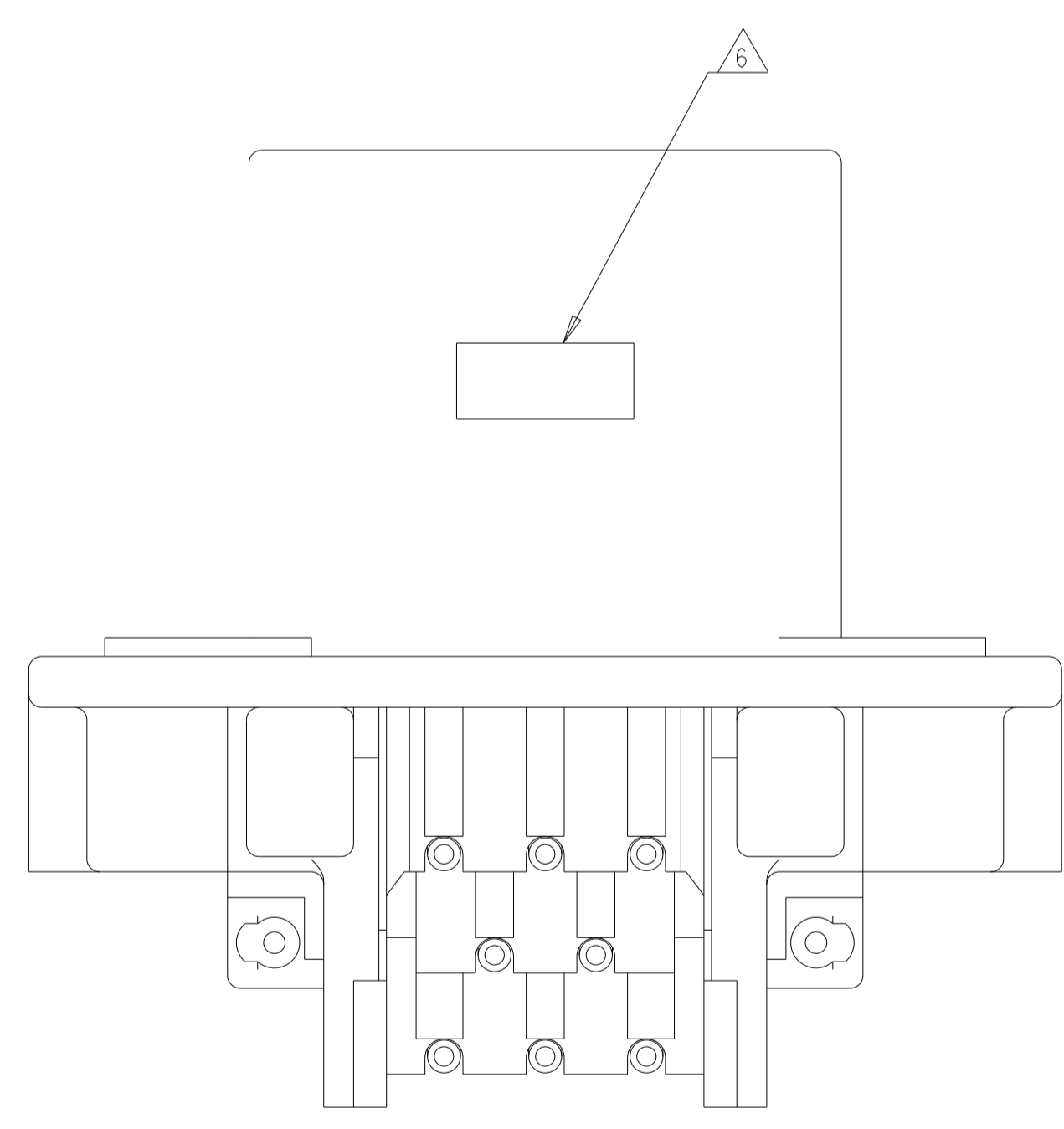


REVISIONS				
P	LTN	DESCRIPTION	DATE	APVD
	F12	ECR-23-187853	21SEPT2023	DCS DCS



SECTION B-B

- 1 SUGGESTED MOUNTING SCREW SIZE IS Ø2.50-3.00mm [Ø0.099 - 0.118 INCH] SELF TAPPING THREAD FORMING SCREW, SUCH AS DELTA PT, TO BE DRIVEN AT 0.6-0.8 N-m THE CUSTOMER SHOULD TEST THE SCREW SIZE AND TYPE IN ORDER TO VERIFY THEIR SELECTION FOR THEIR APPLICATION
- 2 HOUSING COLORS ARE MECHANICALLY KEYS TO MATE ONLY WITH IDENTICALLY COLORED PLUG ASSEMBLIES.
- 3 NOTE REMOVED
- 4. HEADER MATES TO PLUG ASSEMBLY 776286 WHICH USES REELED TERMINAL 770520 AND LOOSE PIECE TERMINAL 770854.
- 5 MATERIALS: GASKET - SILICONE  
 HEADER HOUSING - GLASS FILLED PBT  
 PINS - TIN OR GOLD PLATED BRASS
- 6 DATE CODE TO BE BRANDED IN THIS LOCATION PER TE SPEC 102-60. USE 5 DIGIT CODE: FIRST 2 DIGITS = YEAR, SECOND 2 DIGITS = WEEK, LAST DIGIT = DAY

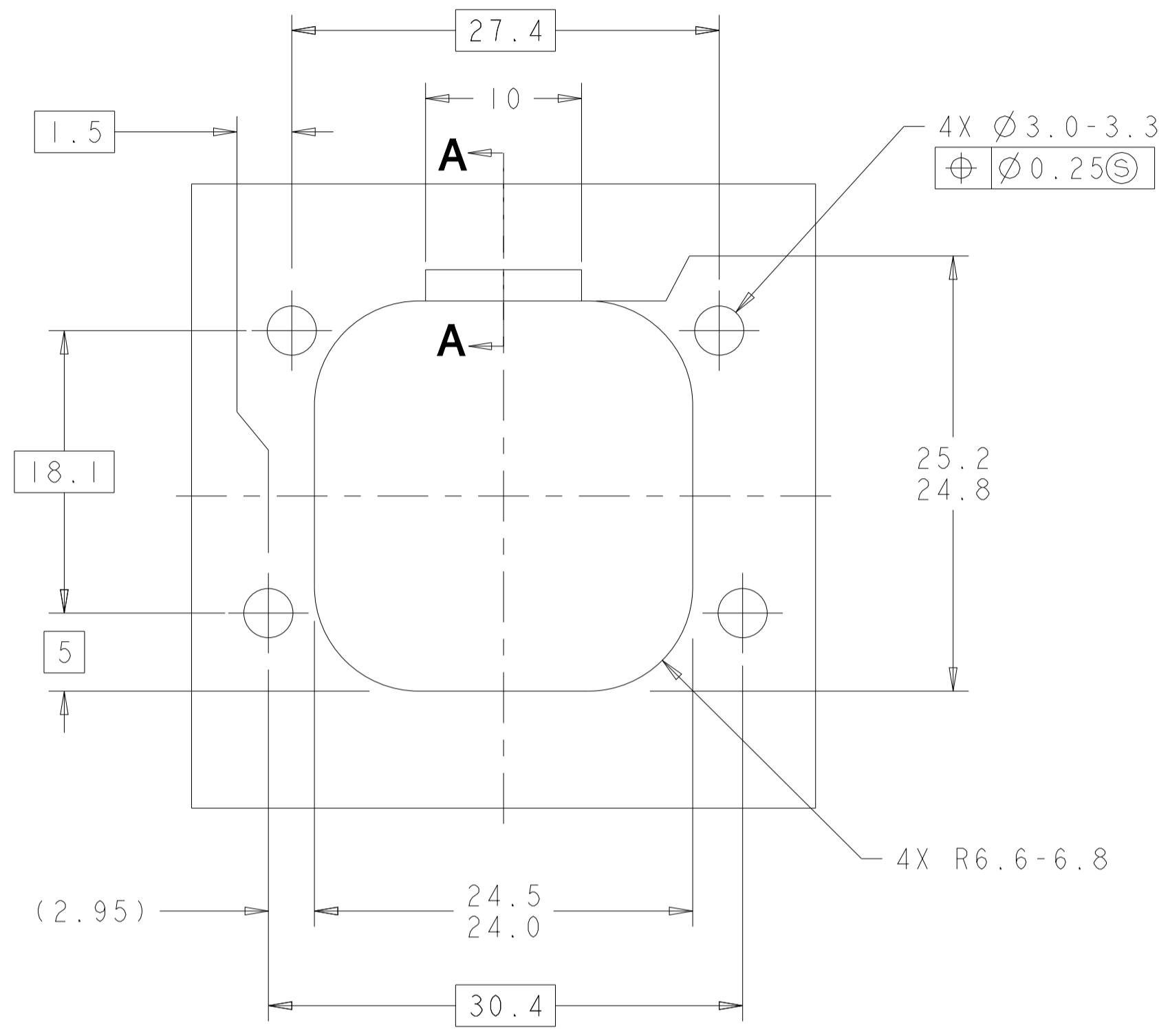


NATURAL	GOLD PLATED	1-776279-2
BLACK	GOLD PLATED	1-776279-1
OBSOLETE		776279-6
NATURAL	TIN PLATED	776279-2
BLACK	TIN PLATED	776279-1
HEADER HOUSING COLOR	PIN	PART NUMBER

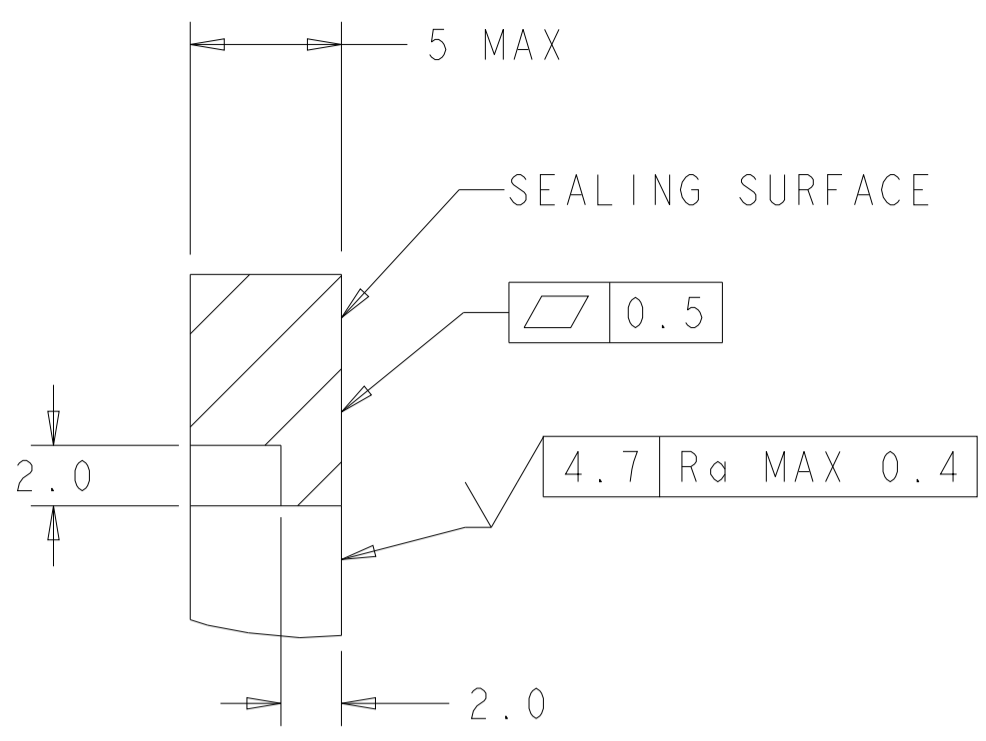
THIS DRAWING IS A CONTROLLED DOCUMENT.

DIMENSIONS:	TOLERANCES UNLESS OTHERWISE SPECIFIED:	OWN J. MARKEY 29FEB08	TE Connectivity NAME: HEADER ASSEMBLY, 8 POSITION, RIGHT ANGLE, AMPSEAL PRODUCT SPEC: 108-1329 APPLICATION SPEC: 114-16016 SIZE: CAGE CODE DRAWING NO. RESTRICTED TO: A100779C=776279
mm	0 PLC ±0.2	CHK J. MARKEY 29FEB08	
	2 PLC ±0.13	APVD J. MARKEY 29FEB08	
	3 PLC ±0.13		
	4 PLC ±0.13		
	ANGLES ±5°		
MATERIAL	FINISH	WEIGHT 15.62g	
		CUSTOMER DRAWING	SCALE 4:1 SHEET 1 OF 2 REV F12

REVISIONS				
P.	LTN.	DESCRIPTION	DATE	APVD.
-	-	SEE SHEET 1	-	-

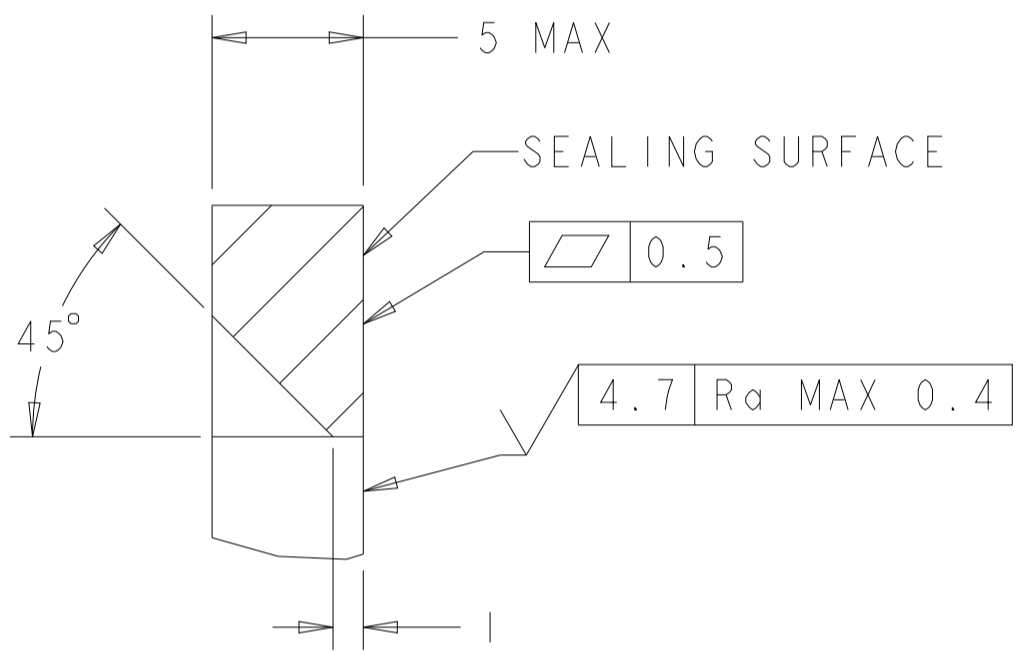


RECOMMENDED MOUNTING HOLE LAYOUT FOR 5.0 MAX THICK PANEL



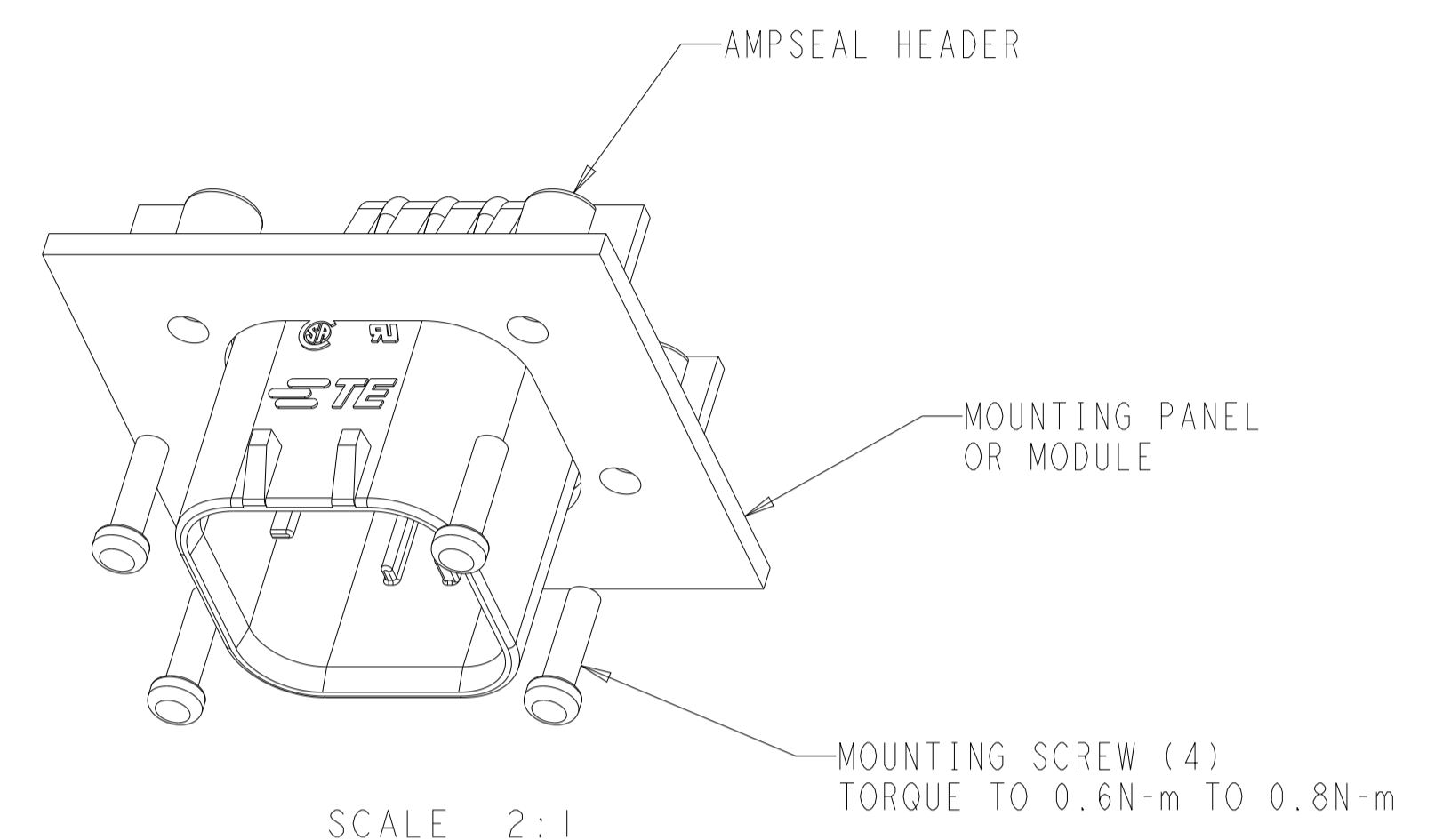
SECTION A-A  
 OPTIONAL CONSTRUCTION IF PANEL THICKNESS IS GREATER THAN 2.0

SCALE 4:1

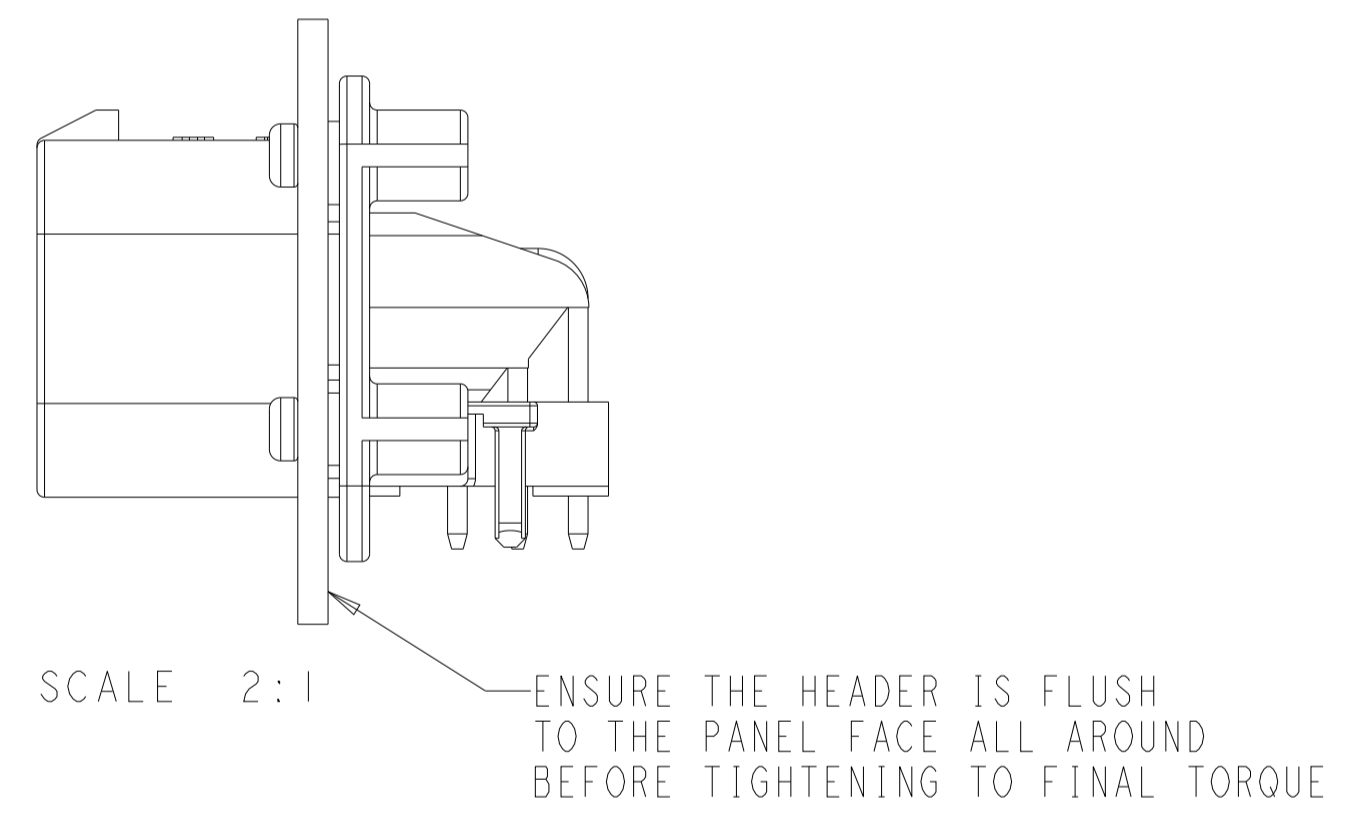


SECTION A-A  
 OPTIONAL CONSTRUCTION IF PANEL THICKNESS IS GREATER THAN 2.0

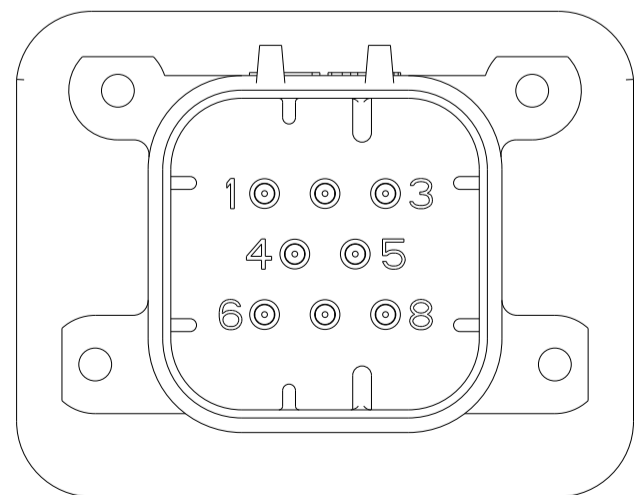
SCALE 4:1



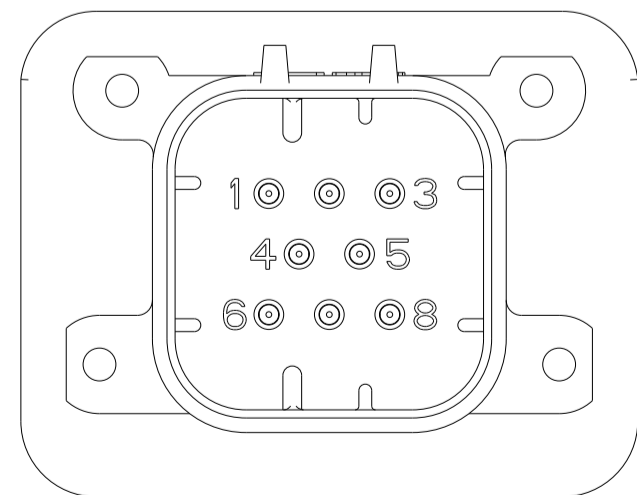
SCALE 2:1



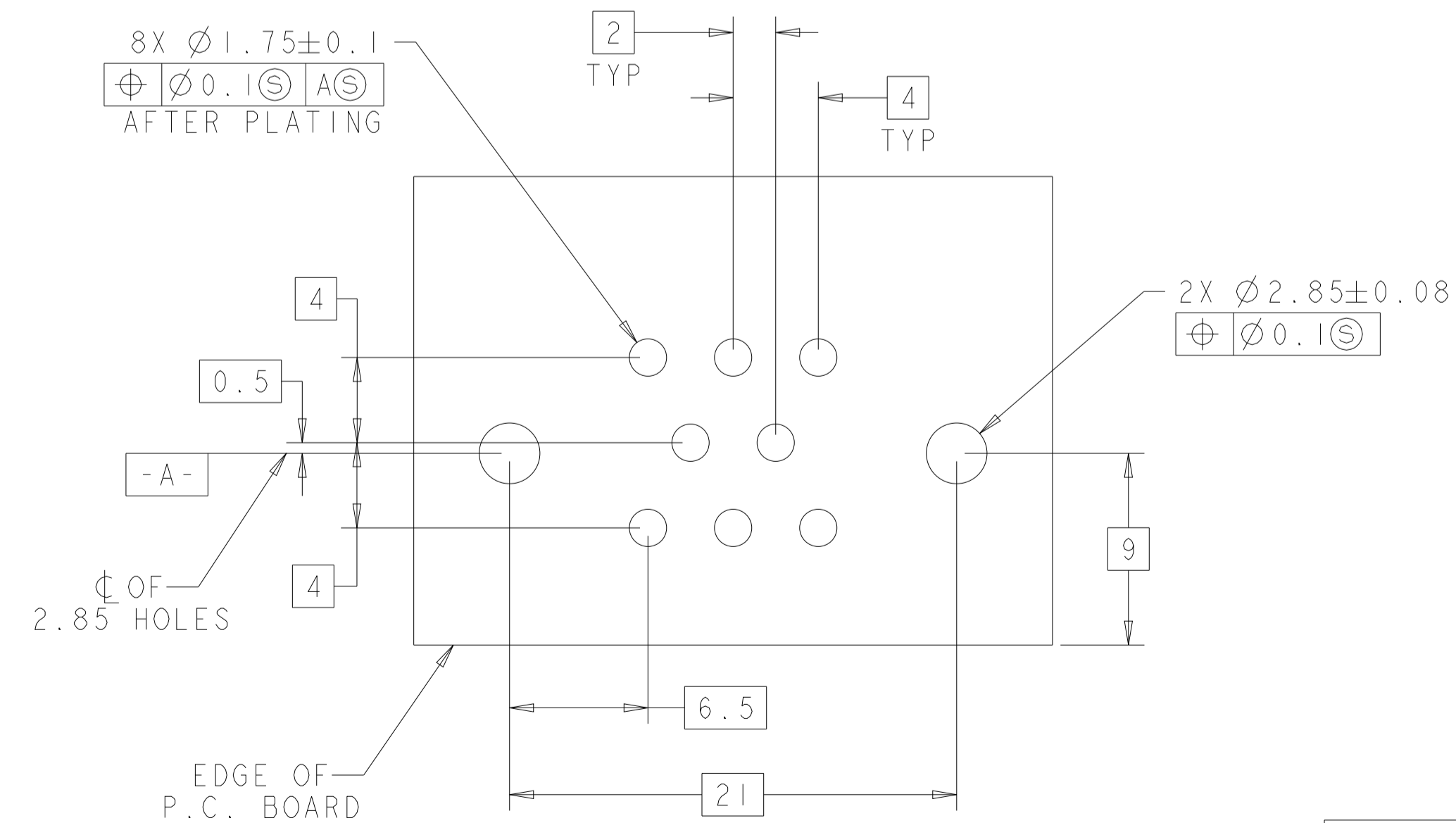
SCALE 2:1



776279-1 & 1-776279-1  
 KEY LOCATION  
 SCALE 2:1



776279-2 & 1-776279-2  
 KEY LOCATION  
 SCALE 2:1



RECOMMENDED P.C. BOARD LAYOUT FOR 1.57 THICK P.C. BOARD

THIS DRAWING IS A CONTROLLED DOCUMENT.		OWN: J. MARKEY 29FEB08	TE Connectivity
DIMENSIONS: mm		CHK: J. MARKEY 29FEB08	
TOLERANCES UNLESS OTHERWISE SPECIFIED:		APVD: J. MARKEY 29FEB08	NAME: HEADER ASSEMBLY, 8 POSITION, RIGHT ANGLE, AMPSEAL
0 PLC	±0.2	PRODUCT SPEC	SIZE: CAGE CODE DRAWING NO
1 PLC	±0.13	108-1329	RESTRICTED TO
2 PLC	±0.13	APPLICATION SPEC	SCALE 4:1 SHEET 2 OF 2 REV F12
3 PLC	±0.13	114-16016	
4 PLC	±0.13	WEIGHT 15.62g	
ANGLES	±5°	CUSTOMER DRAWING	
MATERIAL FINISH		A100779C=776279	