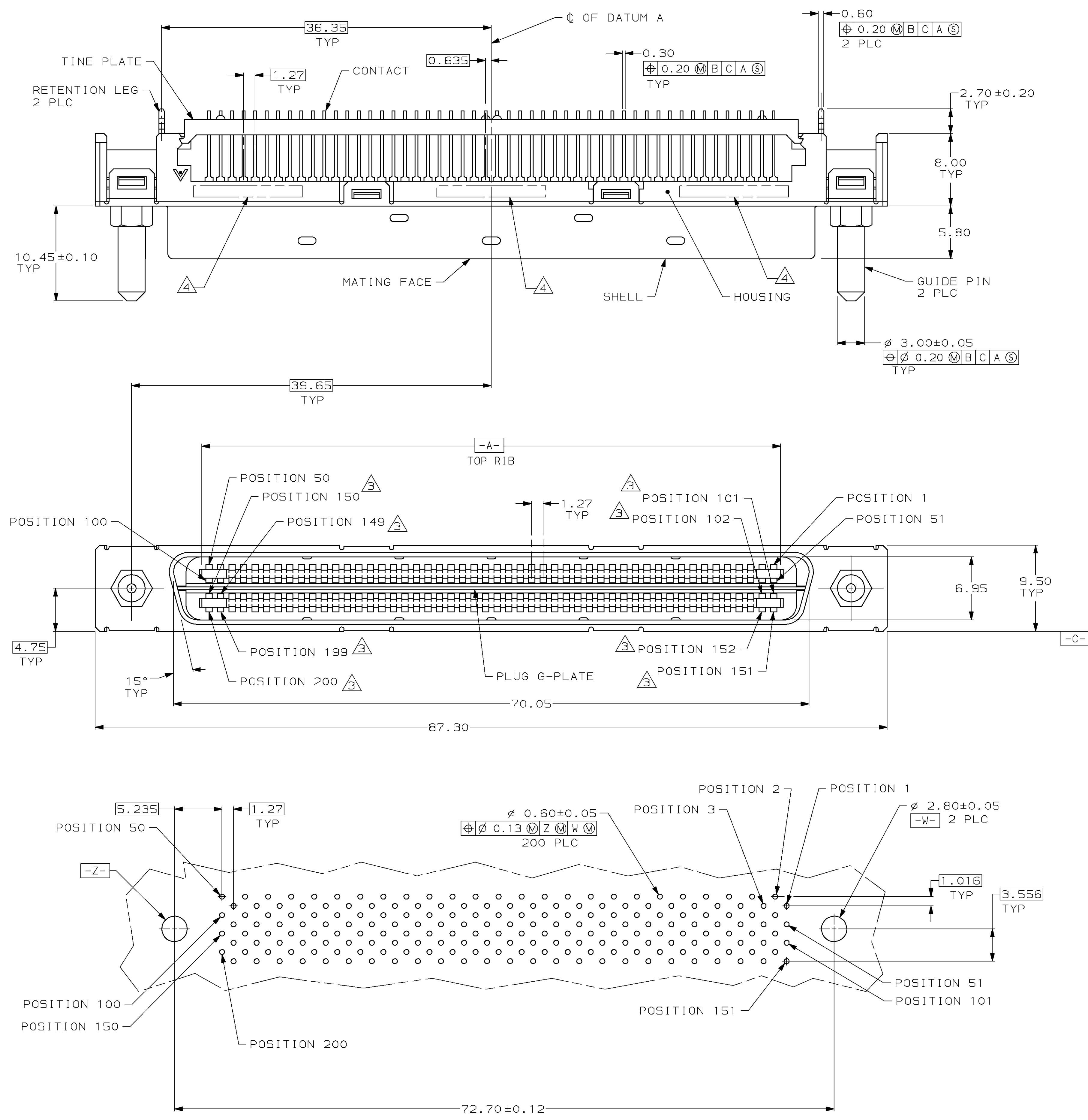


LOC		DIST		REVISIONS			
AR	84	P	LTR	DESCRIPTION	DATE	DMN	APVD
		0		RELEASED PER NPR 5579 WAS 96-1999-10-2	-	-	-
		A		REV PER EC 0410-361-97	10 SEP 97	CD	JM



- △ HOUSING AND TINE PLATE: POLYESTER, NATURAL.  
CONTACT: COPPER ALLOY.  
SHELL: CARBON STEEL.  
RETENTION LEG AND GUIDE PIN: BRASS.  
PLUG G-PLATE: STAINLESS STEEL.
- △ SHELL: 3.00µm MIN NICKEL OVER 1.30µm MIN COPPER.  
RETENTION LEG: 2.00µm MIN TIN-LEAD OVER 1.00µm MIN NICKEL.  
GUIDE PIN: NICKEL OVER COPPER.  
CONTACTS: 0.76µm MIN GOLD FOR A LENGTH OF 3.00 MIN FROM MATING END,  
2.54 µm MIN TIN-LEAD FOR A LENGTH OF 2.80 MIN FROM OPPOSITE END,  
BOTH OVER 1.27µm MIN NICKEL.
- △ CONTACTS 101,102,149,150,151,152,199, AND 200, ARE SEQUENCED TOWARDS MATING FACE.
- △ DATE CODE MAY BE MARKED ON THIS SIDE, IN ONE OF THE LOCATIONS SHOWN.

RECOMMENDED PC BOARD MOUNTING DIMENSIONS  
 COMPONENT SIDE

787887-1  
 PART NUMBER

THIS DRAWING IS A CONTROLLED DOCUMENT.		DMN C. DORWART 03 JUN 97	AMP Incorporated Harrisburg, PA 17105-3508
DIMENSIONS: mm		CHK J. MOSIER 11 JUN 97	
TOLERANCES UNLESS OTHERWISE SPECIFIED:		APVD J. MOSIER 11 JUN 97	NAME: PLUG ASSEMBLY, 200 POSITION, VERTICAL, .050, CHAMP™
0 PLC ±		PRODUCT SPEC	
1 PLC ±		APPLICATION SPEC	SIZE: A1
2 PLC ±0.25		WEIGHT	CAGE CODE: 00779
3 PLC ±		CUSTOMER DRAWING	DRAWING NO: 787887
4 PLC ±		SCALE: 4:1	SHEET: 1 OF 1
ANGLES ±2°		REV: A	
FINISH			