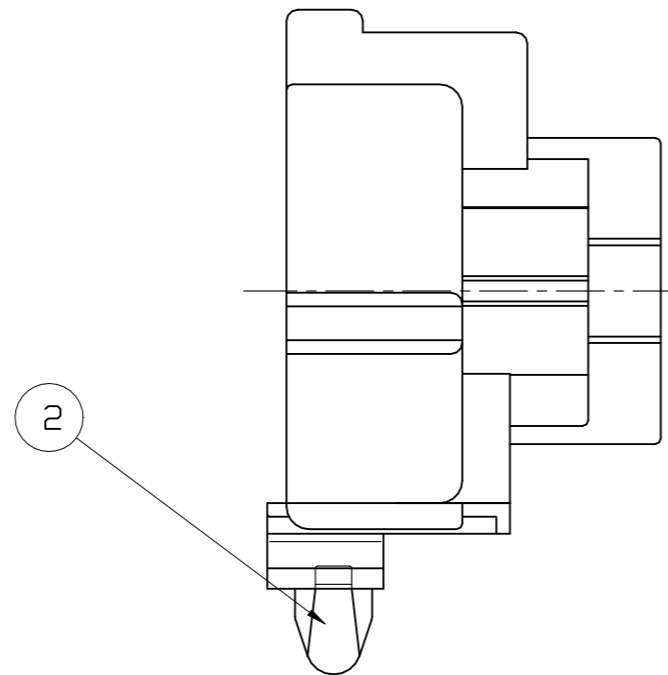
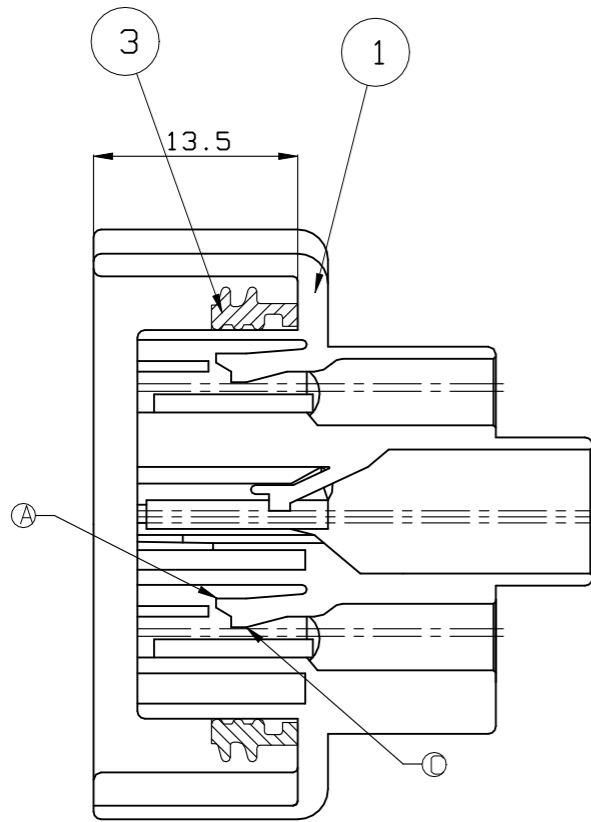
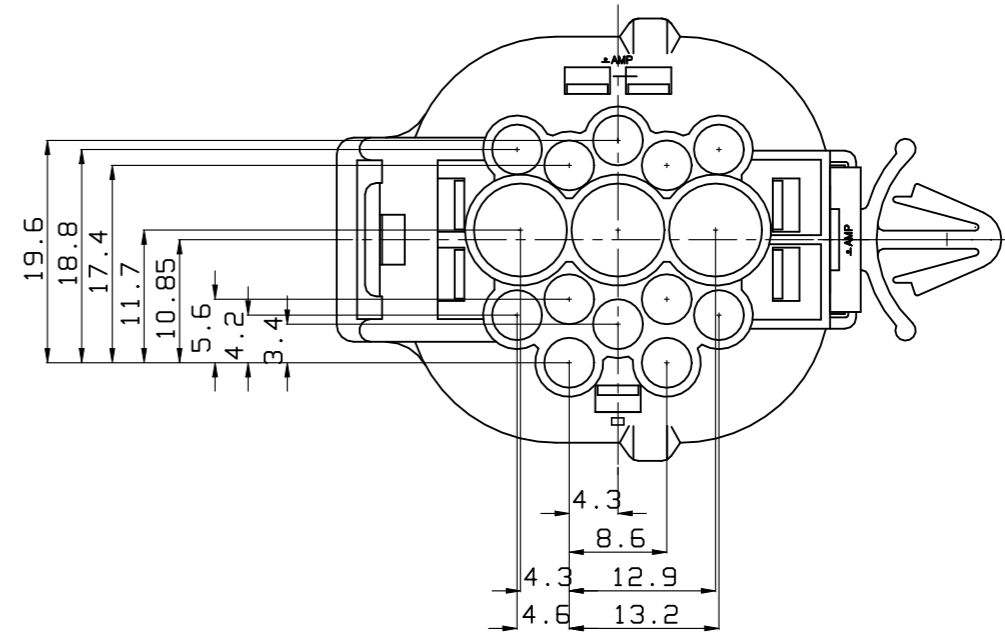
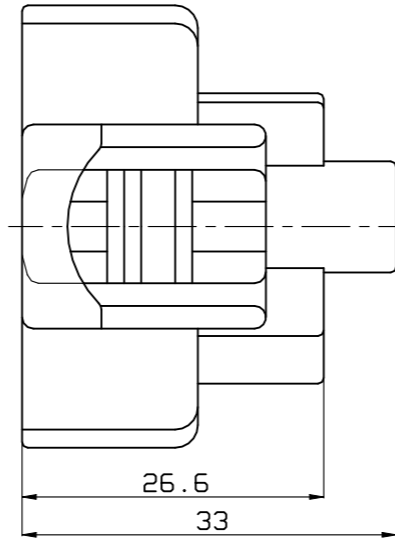
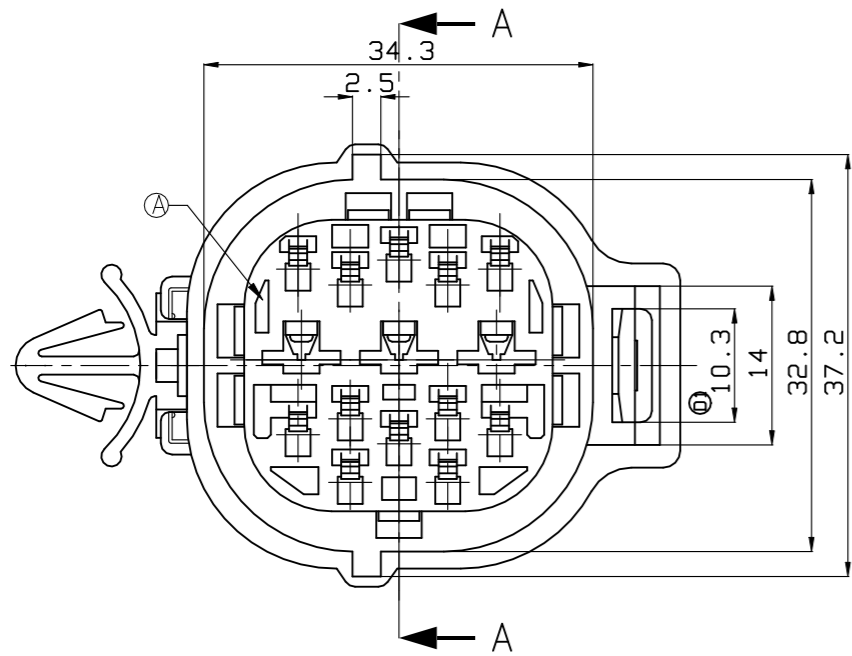


P	LTR	DESCRIPTION	DATE	DWN	APVD
D3		REVISED PER ECR-23-177343	28SEP2023	RK	JT



NOTES

- FOR CAP HOUSING (P/N:85264)
- THIS PART MUST BE USED WITH DOUBLE LOCK PLATE (P/N:85223)
- APPLY P/N 85263-1(EJ MKII + 15P PLUG HSG) AND 172745-1(SEAL RING FOR EJ MKII + 15P PLUG HSG) TO ASSEMBLY P/N 2-85262-1.

OBSOLETE
OBSOLETE
OBSOLETE

CUSTOMER PART NUMBER (H 700)	5	4	3	2	1	REMARK	NO	COLOR	MATERIAL	DESCRIPTION	PART .NO	REV	Q'TY	ASS'Y	P/N	REV
										SEAL RING FOR EJ MKII(+15Pos PLUG HSG	172745-1	A	1	1		
										CLIP HSG FOR EJ MKII(+15Pos PLUG HSG	368121-1	O		1		
										CLIP HSG FOR EJ MKII(+15Pos PLUG HSG	85229-1	O			1	
										EJ MKII(+15Pos PLUG HSG	85263-5	C	1		1	
										EJ MKII(+15Pos PLUG HSG	85263-1	C		1		1

THIS DRAWING IS A CONTROLLED DOCUMENT.

DIMENSIONS: mm		TOLERANCES UNLESS OTHERWISE SPECIFIED:	
		0 PLC ± -	
		1 PLC ± -	
		2 PLC ± -	
		3 PLC ± -	
		4 PLC ± -	
		ANGLES ± -	
MATERIAL SEE TABLE		FINISH -	

TOLERANCES UNLESS OTHERWISE SPECIFIED:

0 <XX<10	± 0.2
10<XX<30	± 0.25
30<XX	± 0.3
ANGLES	± 3°



070/250 15P PLUG ASS'Y
ECONOSEAL J-MARKII CONN.

DWN JM JEON	CHK JW JUNG	APVD HG CHO	PRODUCT SPEC	APPLICATION SPEC	WEIGHT 0	SIZE A3	CAGE CODE 00779	DRAWING NO C-85262	RESTRICTED TO
CUSTOMER DRAWING						SCALE 1:1	SHEET 1 OF 1	REV D3	