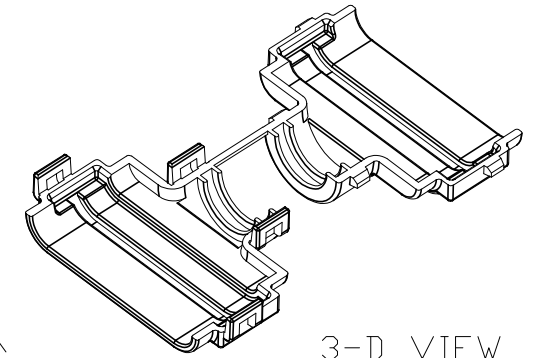
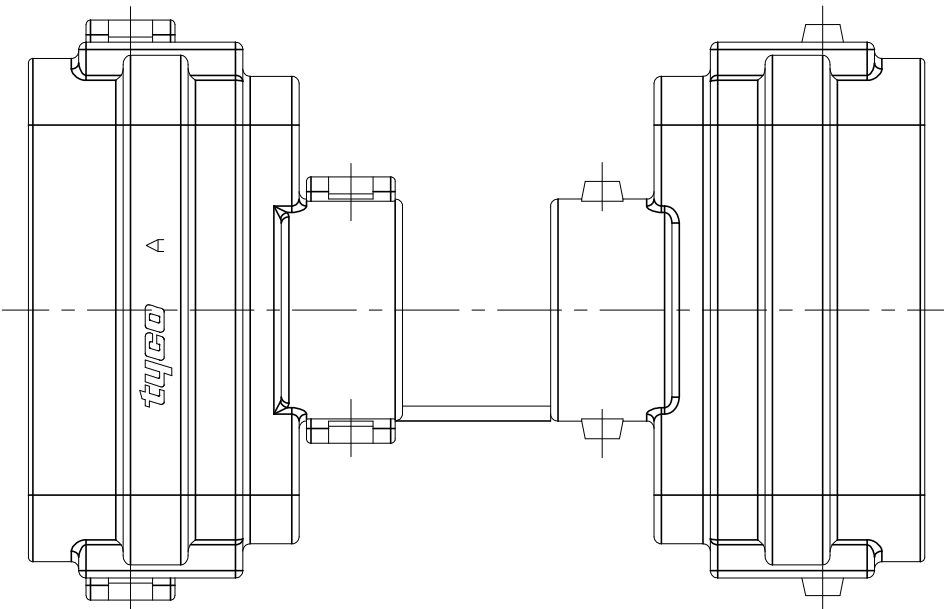
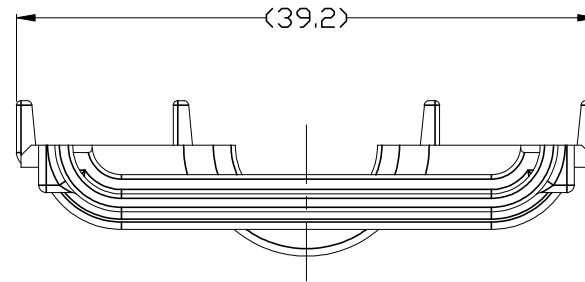
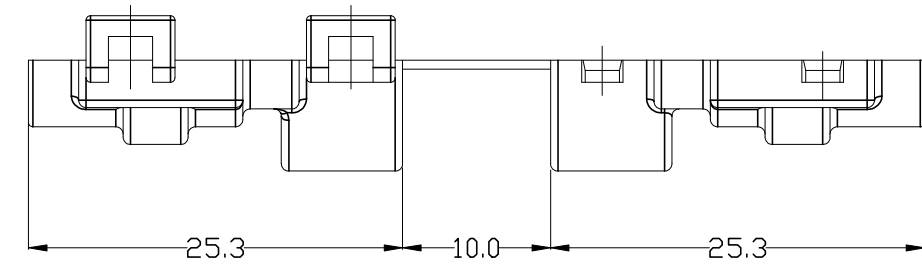
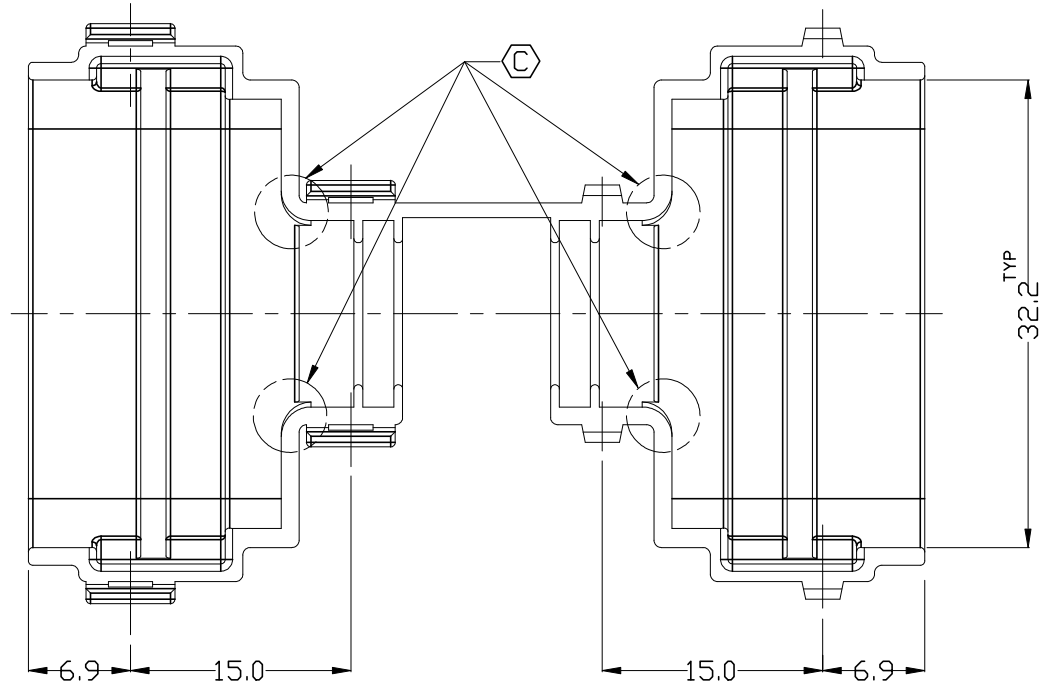


THIS DRAWING IS UNPUBLISHED. RELEASED FOR PUBLICATION
 © COPYRIGHT BY TYCO ELECTRONICS CORPORATION. ALL RIGHTS RESERVED.


LOC	DIST	REVISIONS					
DS		P	LTR	DESCRIPTION	DATE	DWN	APVD
		B		REVISED (ECR-21-103298)	24.MAY.'21	JU	JJ
		C		REVISED (ECR-23-184405)	06.NOV.'23	BH	KT



NOTE ;

- GENERAL TOLERANCES : ± 0.3 , $\pm 3^\circ$.
- 0.15 MAX. WARPAGE AND 0.2 MAX. FLASH ARE PERMISSIBLE
- APPLICABLE CORRUGATE TUBE : $\phi 9.0$ mm.
- APPLICABLE CONN'R PART NO. : 936394
- APPLICABLE TEST SPEC : MS210-06-A2 (EXCEPT 4.4)

NYLON 66 0-0702902-1	0-936398-2	BLACK 0-0702901-1
MATERIAL	PART NUMBER	COLOR

THIS DRAWING IS A CONTROLLED DOCUMENT FOR TYCO ELECTRONICS CORPORATION IT IS SUBJECT TO CHANGE AND THE CONTROLLING ENGINEERING ORGANIZATION SHOULD BE CONTACTED FOR THE LATEST REVISION.		DWN SJ CHOI		 TE Connectivity	
DIMENSIONS: MM		CHK JW JUNG			
TOLERANCES UNLESS OTHERWISE SPECIFIED:		APVD HG CHO		NAME	
0 PLC \pm		PRODUCT SPEC		COVER HSG FOR 2.8mm SEALED 6P PLUG CONN'R	
1 PLC \pm		APPLICATION SPEC		RESTRICTED TO	
2 PLC \pm		WEIGHT		SIZE CAGE CODE DRAWING NO	
3 PLC \pm		A3 00779		C- 936398	
4 PLC \pm		SCALE 2/1		SHEET 1 OF 1	
ANGLES \pm		REV C			
FINISH					
MATERIAL					
SEE TABLE					