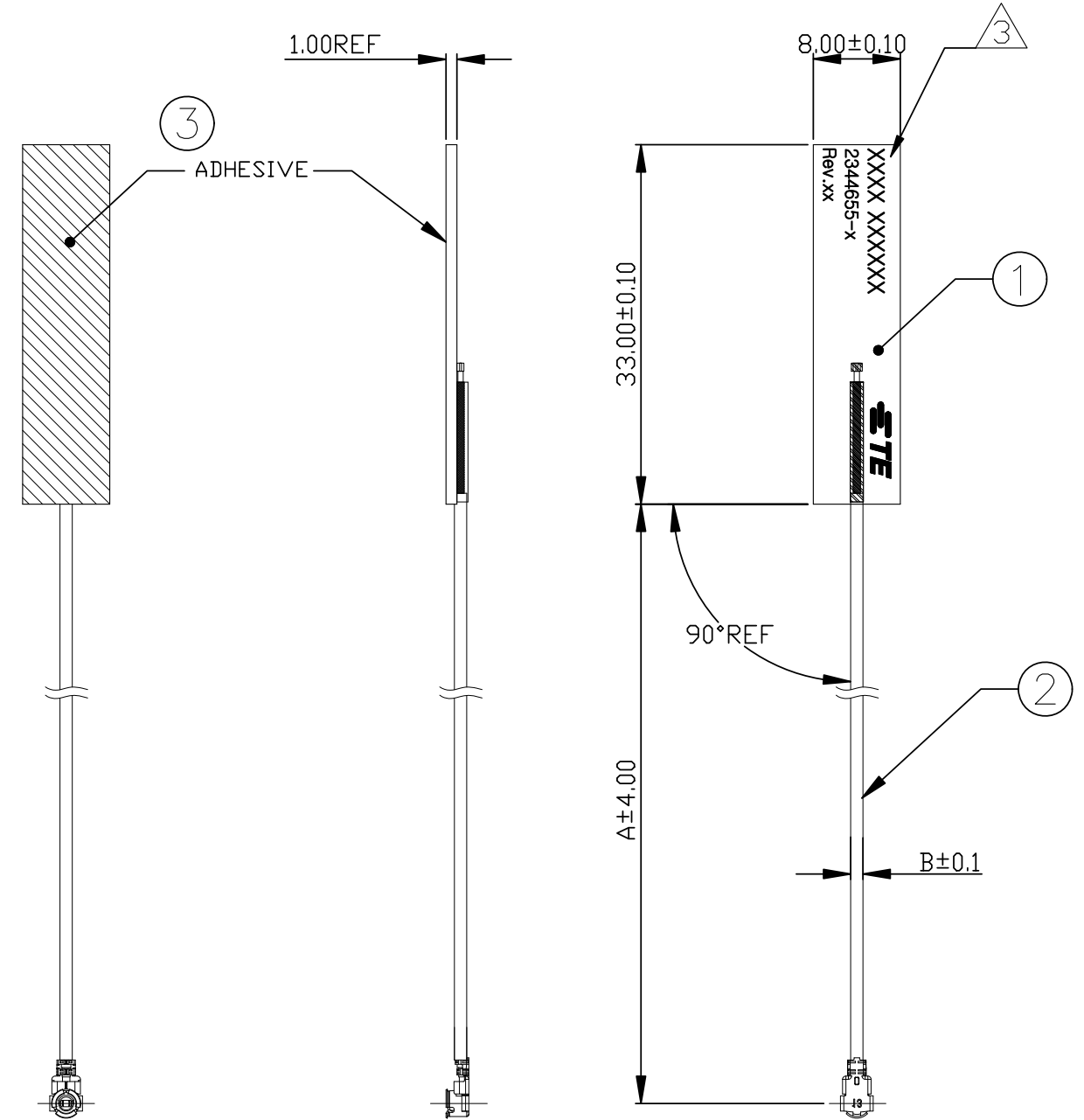


THIS DRAWING IS UNPUBLISHED. RELEASED FOR PUBLICATION  
 © COPYRIGHT - TE Connectivity ALL RIGHTS RESERVED.

REVISIONS				
P	LTR	DESCRIPTION	DATE	APVD
	D3	REVIED PER ECN-24-261103	16APR2024	SJ JH



1. MATERIALS : REFER TO TABLE.
  2. A: ALL MATERIALS, COMPONENTS AND PROCESSES SHALL COMPLY WITH TEC-138-702 (CONTAINS NO BANNED OR RESTRICTED SUBSTANCES)  
 B: NO REACH SVHC SHALL BE CONTAINED ABOVE THE THRESHOLD AS DEFINED IN REACH SVHC  
 C: LOW HALOGEN: CODE 2(Br<900PPM, Cl<900PPM, Br+Cl<1500PPM PER HOMOGENEOUS MATERIAL) COMPLIANCE DEFINITION IN ANNEX A OF TEC-138-702
- △ IDENTIFICATION INCLUDES : FOUR DIGIT DATE CODE(FIRST 2 DIGITS FOR THE WEEK CODE AND THE 2ND TWO DIGITS FOR THE YEAR CODE), MANUFACTURING CONTROL NUMBER, TE PART NUMBER & REVISION NO.

CONNECTOR TYPE	B	A	PART NUMBER
DIMENSION			
5PLUG(MHF5)	0.81	100	2344655-9
UMCC GEN.4 (MHF4 TYPE)	0.81	200	2344655-8
		150	2344655-7
		100	2344655-6
		50	2344655-5
UMCC GEN.1 (MHF1 TYPE)	1.13	200	2344655-4
		150	2344655-3
		100	2344655-2
		50	2344655-1

DOUBLE-SIDED TAPE	ADHESIVE	3
COAXIAL CABLE & CONN	CABLE ASSY	2
FR-4	PCB ANTENNA	1
MATERIAL	NAME	ITEM NO.

THIS DRAWING IS A CONTROLLED DOCUMENT.

DWN	22OCT2018	PAUL HUNAG
CHK	22OCT2018	AKU HUANG
APVD	22OCT2018	AMOS CHEAH

TE Connectivity

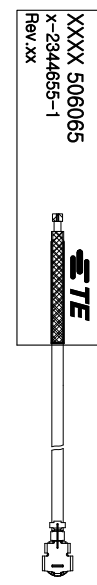
WLAN DUAL BAND ANTENNA PCB H

SIZE	CAGE CODE	DRAWING NO	RESTRICTED TO
A2	00779	C-2344655	-

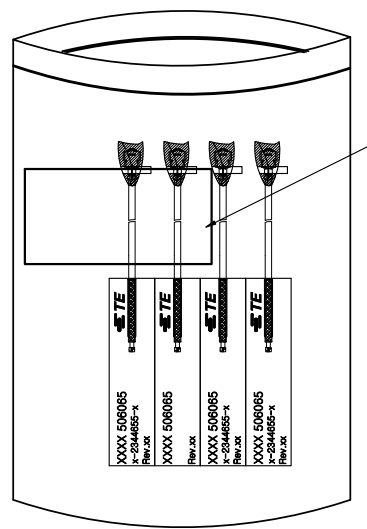
CUSTOMER DRAWING SCALE 1:1 SHEET 1 of 4 REV D3

REVISIONS				
P	LTR	DESCRIPTION	DATE	APVD
-	-	SEE SHEET 1	-	-

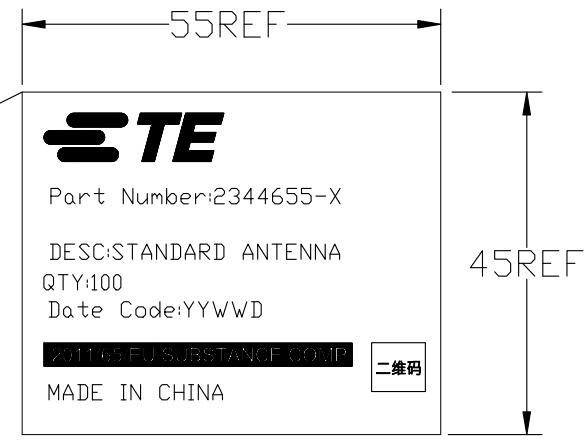
PACKAGING P/Ns : 2344655-1,-2,-3,-4



25PCS/BUNCH

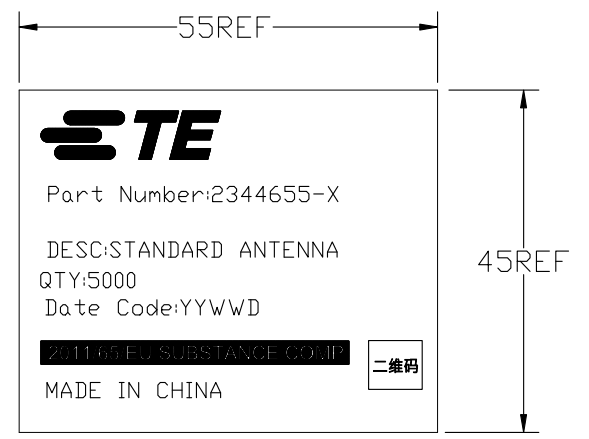


100PCS/BAG  
DESICCANT: 1PCS/BAG

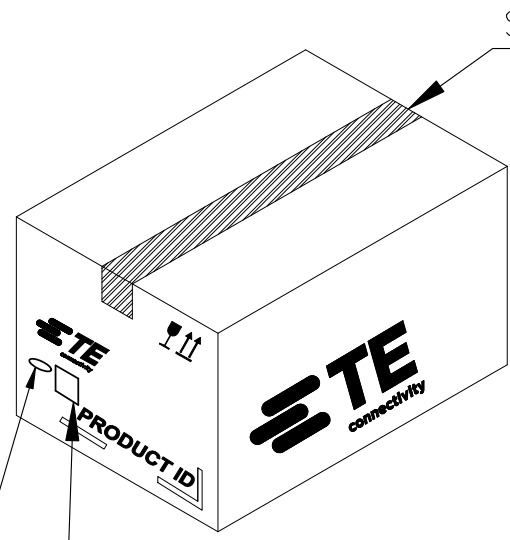
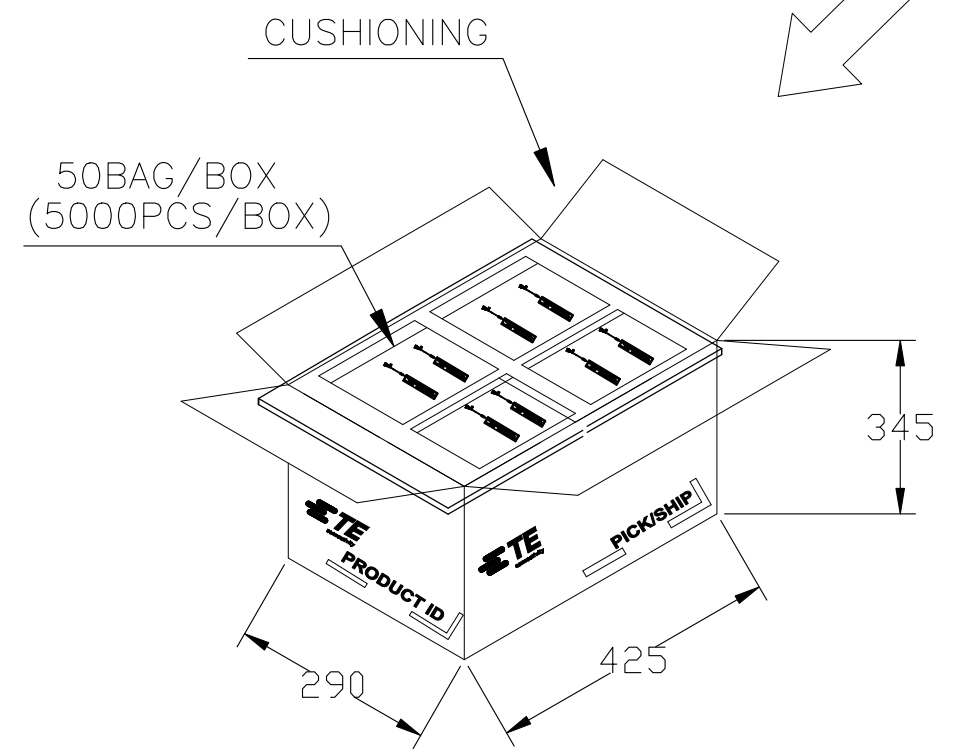


PACKING LABEL

Q' TY	PACKING QUANTITY		
	PCS/BAG	BAG/BOX	PCS/BOX
1	100	50	5000



BOX LABEL



MONTH LABEL

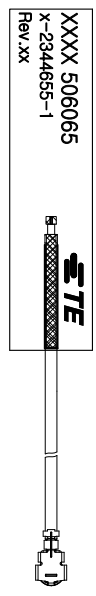
BOX LABEL

THIS DRAWING IS A CONTROLLED DOCUMENT.		DWN	22OCT2018	<b>STE</b> TE Connectivity	
DIMENSIONS: mm		CHK	22OCT2018		
TOLERANCES UNLESS OTHERWISE SPECIFIED:		APVD	22OCT2018	NAME	
0 PLC ± -		AMOS CHEAH		WLAN DUAL BAND ANTENNA PCB H	
1 PLC ± -		PRODUCT SPEC		-	
2 PLC ± -		APPLICATION SPEC		-	
3 PLC ± -		WEIGHT		-	
4 PLC ± -		SIZE		-	
ANGLES ± -		CAGE CODE		-	
FINISH		DRAWING NO		RESTRICTED TO	
-		A2 00779		-	
-		C-2344655		-	
-		CUSTOMER DRAWING		SCALE NTS SHEET 2 of 4 REV D3	

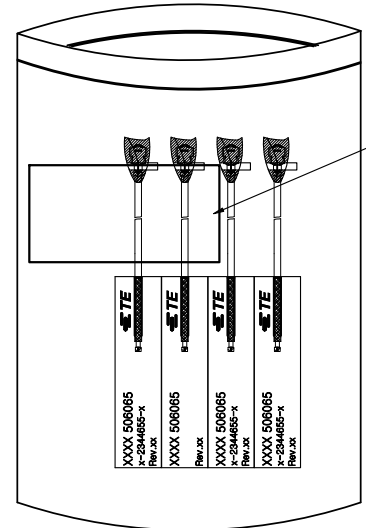
2344655

REVISIONS				
P	LTR	DESCRIPTION	DATE	APVD
-	-	SEE SHEET 1	-	-

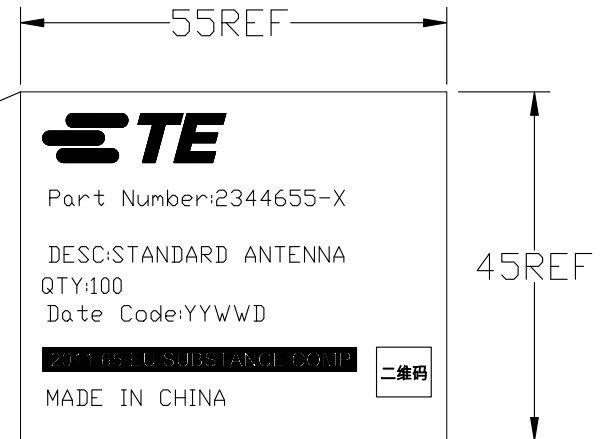
PACKAGING P/Ns : 2344655-5,-6,-7,-8



25PCS/BUNCH

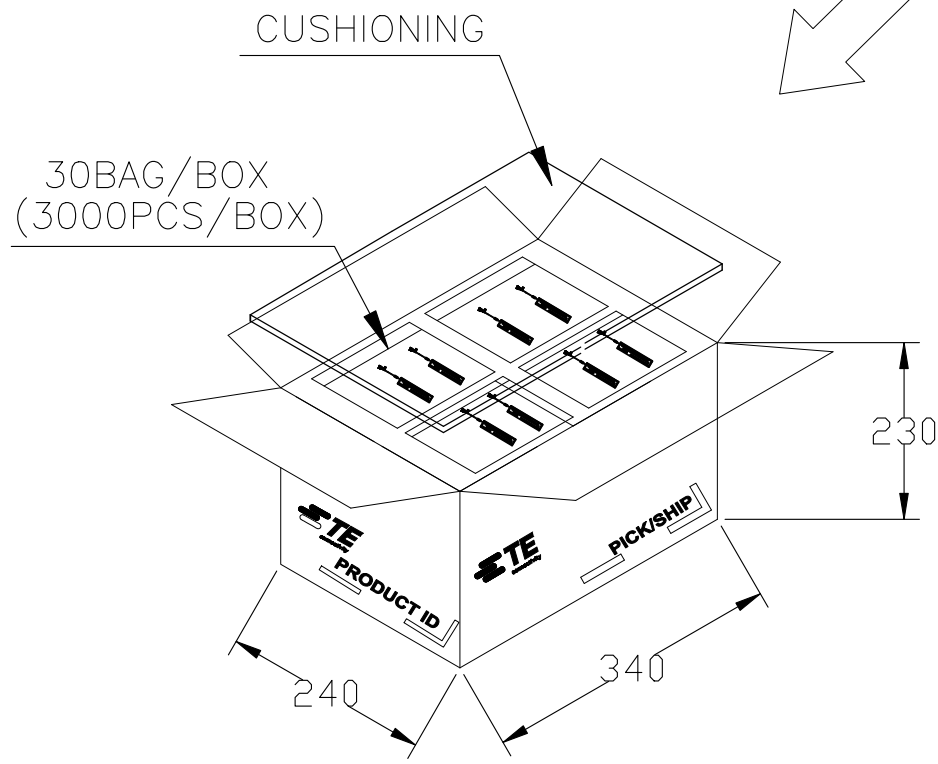


100PCS/BAG  
 DESICCANT: 1PCS/BAG



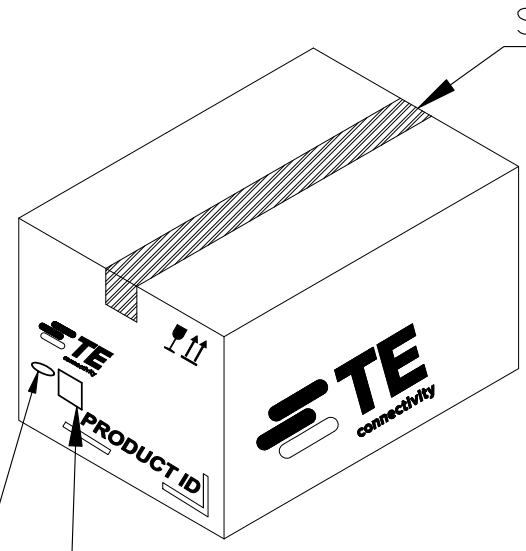
PACKING LABEL

Q'TY	PACKING QUANTITY		
	PCS/BAG	BAG/BOX	PCS/BOX
1	100	30	3000



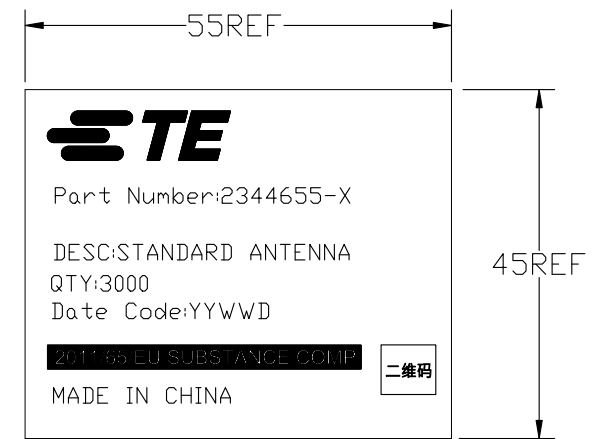
30BAG/BOX  
 (3000PCS/BOX)

CUSHIONING



MONTH LABEL

BOX LABEL



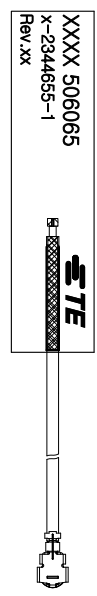
BOX LABEL

THIS DRAWING IS A CONTROLLED DOCUMENT.		DWN 22OCT2018 PAUL HUNAG	TE Connectivity	
DIMENSIONS: mm		CHK 22OCT2018 AKU HUANG		
TOLERANCES UNLESS OTHERWISE SPECIFIED:		APVD 22OCT2018 AMOS CHEAH	NAME WLAN DUAL BAND ANTENNA PCB H	
		PRODUCT SPEC	APPLICATION SPEC	
MATERIAL		WEIGHT	SIZE A2	CAGE CODE 00779
FINISH		RESTRICTED TO	DRAWING NO C-2344655	
CUSTOMER DRAWING			SCALE 1:1	SHEET 3 of 4
			REV D3	

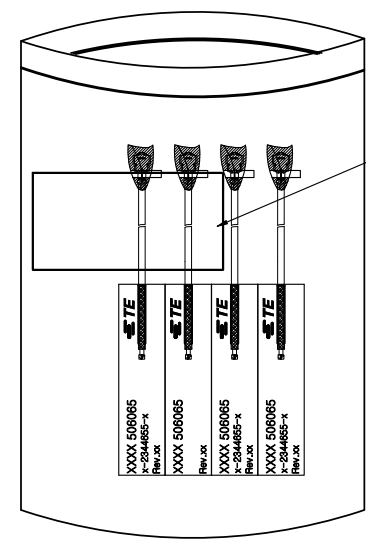
2344655

REVISIONS				
P	LTR	DESCRIPTION	DATE	APVD
-	-	SEE SHEET 1	-	-

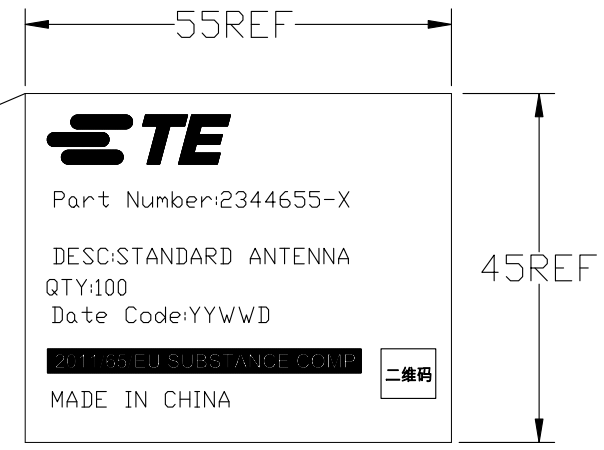
# PACKAGING P/Ns : 2344655-9



25PCS/BUNCH

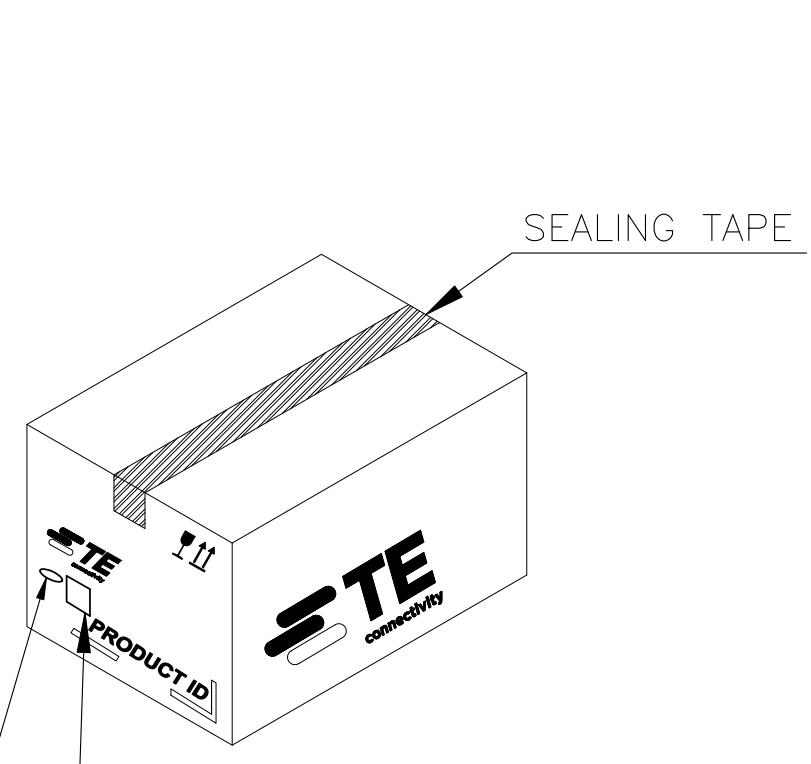
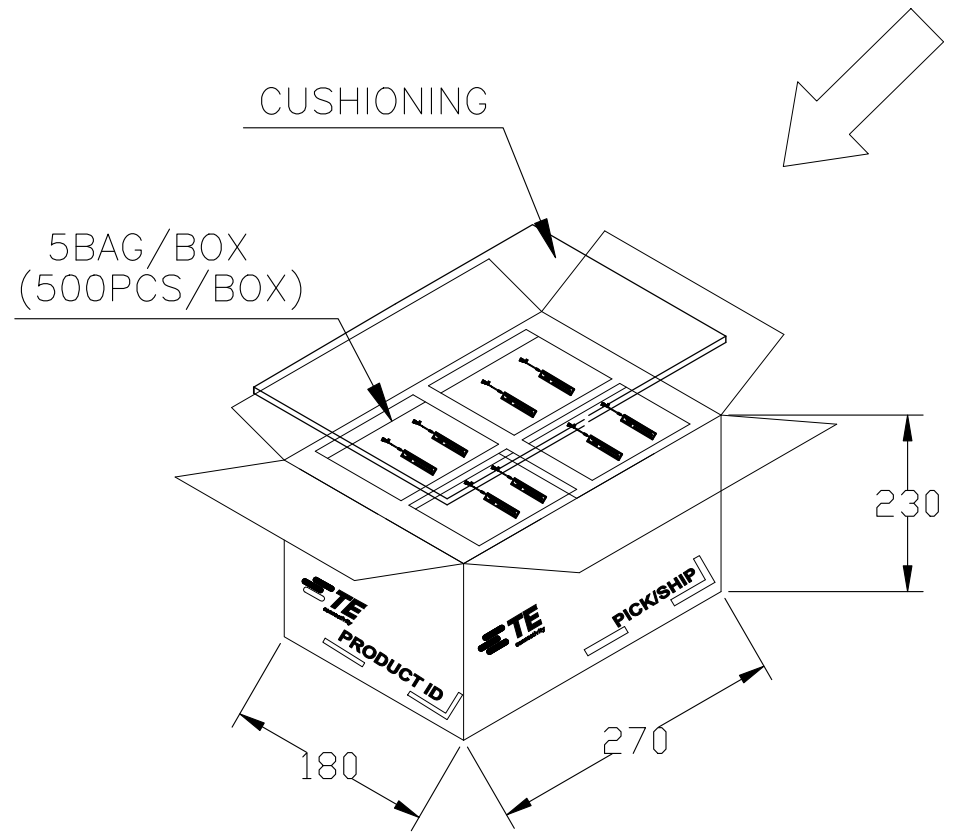


100PCS/BAG  
DESICCANT:1PCS/BAG



PACKING LABEL

Q' TY	PACKING QUANTITY		
	PCS/BAG	BAG/BOX	PCS/BOX
1	100	5	500



BOX LABEL

MONTH LABEL

BOX LABEL

THIS DRAWING IS A CONTROLLED DOCUMENT.		DWN 22OCT2018	<b>TE</b> TE Connectivity	
DIMENSIONS: mm		CHK 22OCT2018		
TOLERANCES UNLESS OTHERWISE SPECIFIED:		APVD 22OCT2018	NAME	
0 PLC ± -		AMOS CHEAH	WLAN DUAL BAND ANTENNA PCB H	
1 PLC ± -		PRODUCT SPEC	-	
2 PLC ± -		APPLICATION SPEC	-	
3 PLC ± -		WEIGHT	SIZE	CAGE CODE
4 PLC ± -		FINISH	A2	00779
ANGLES ± -		CUSTOMER DRAWING	DRAWING NO	RESTRICTED TO
-		SCALE 1:1	C-2344655	-
-		SHEET 4 of 4	REV D3	

2344655