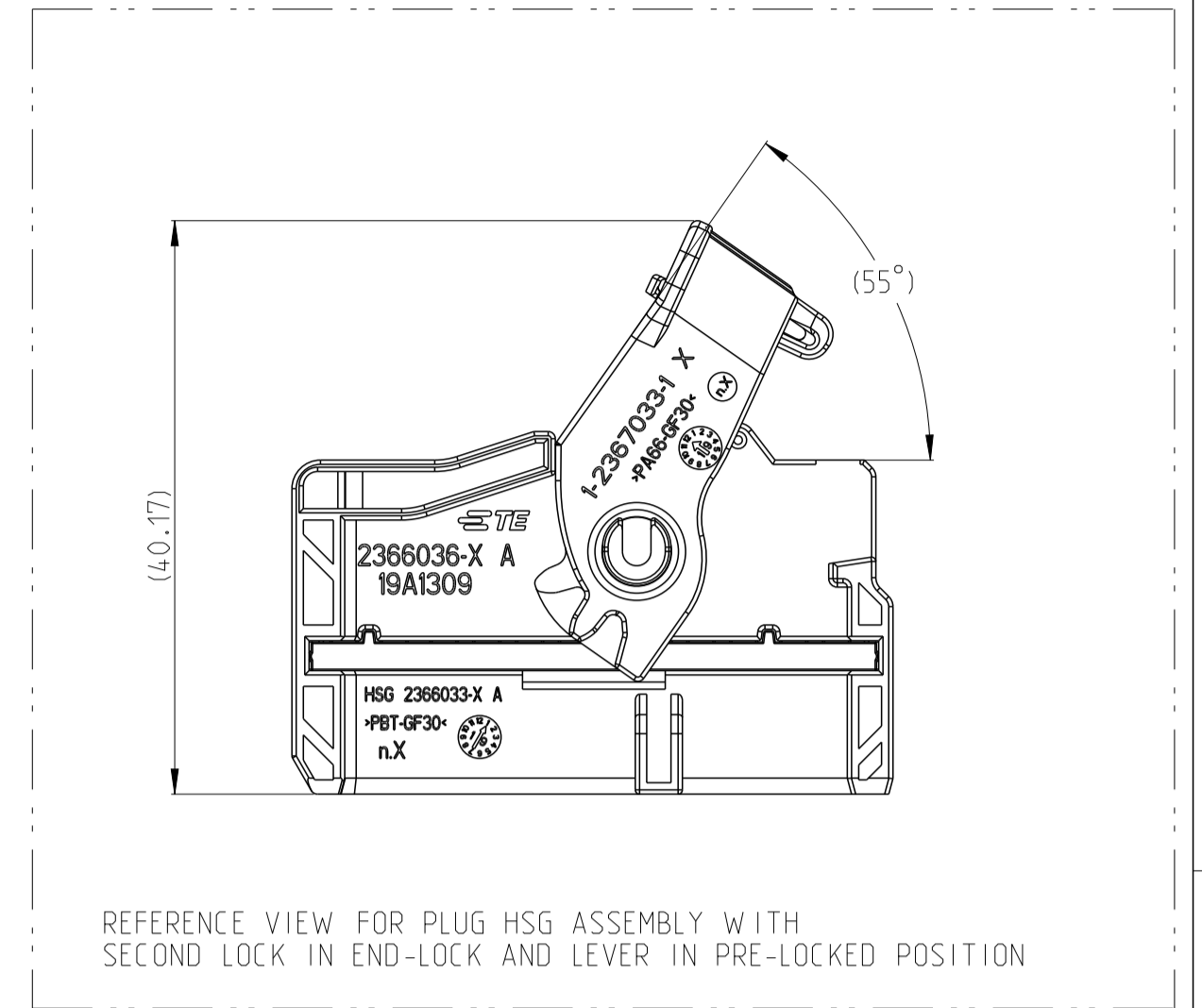
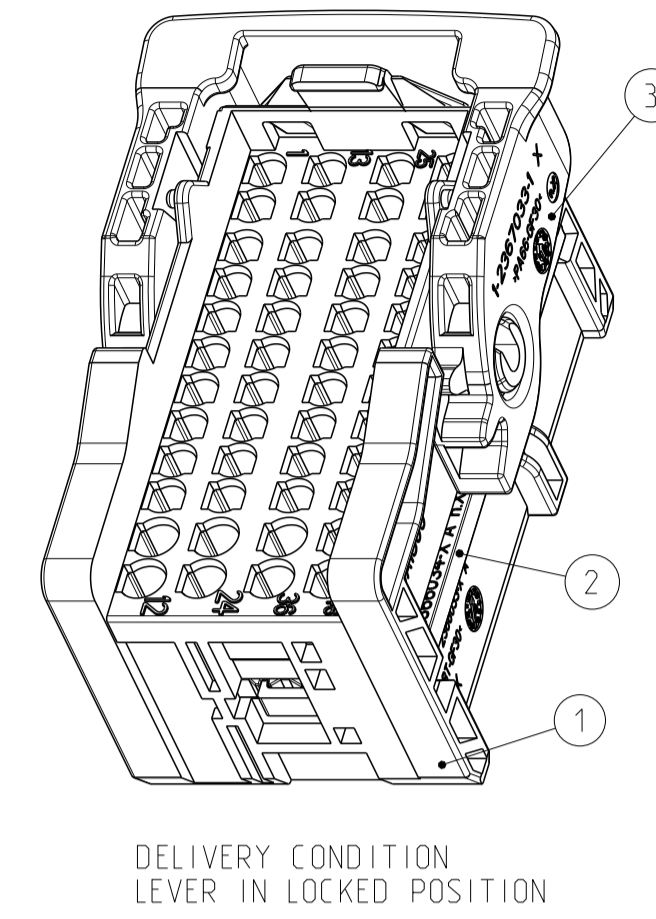
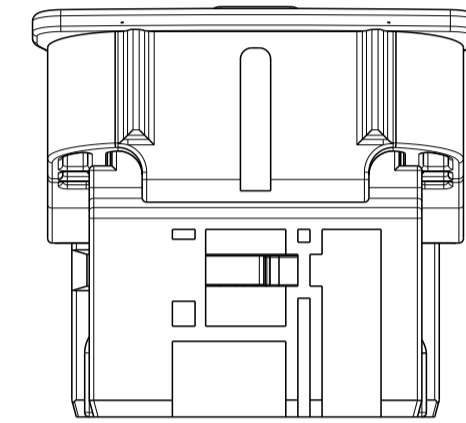
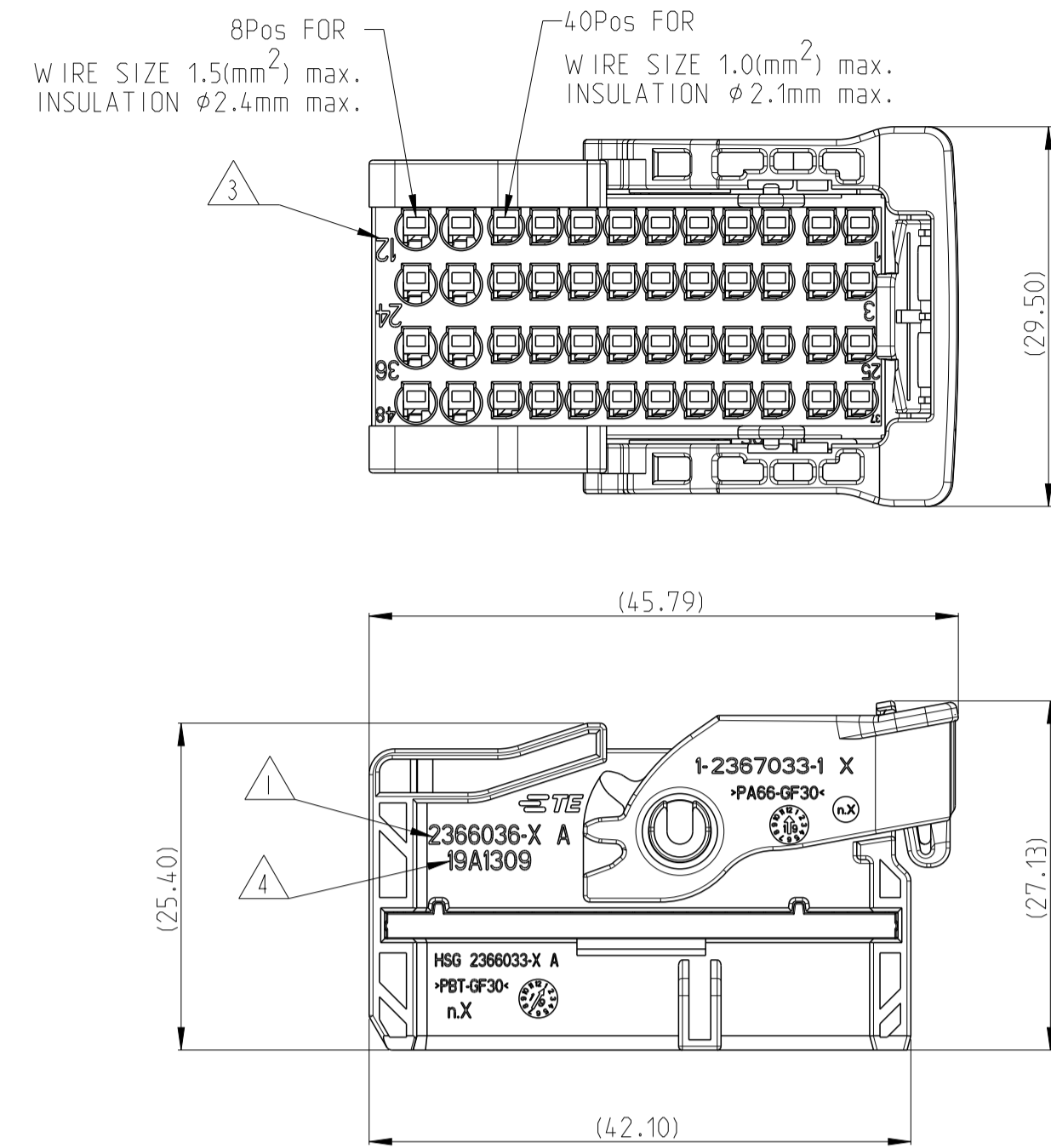


2366036-1 SHOWN AS



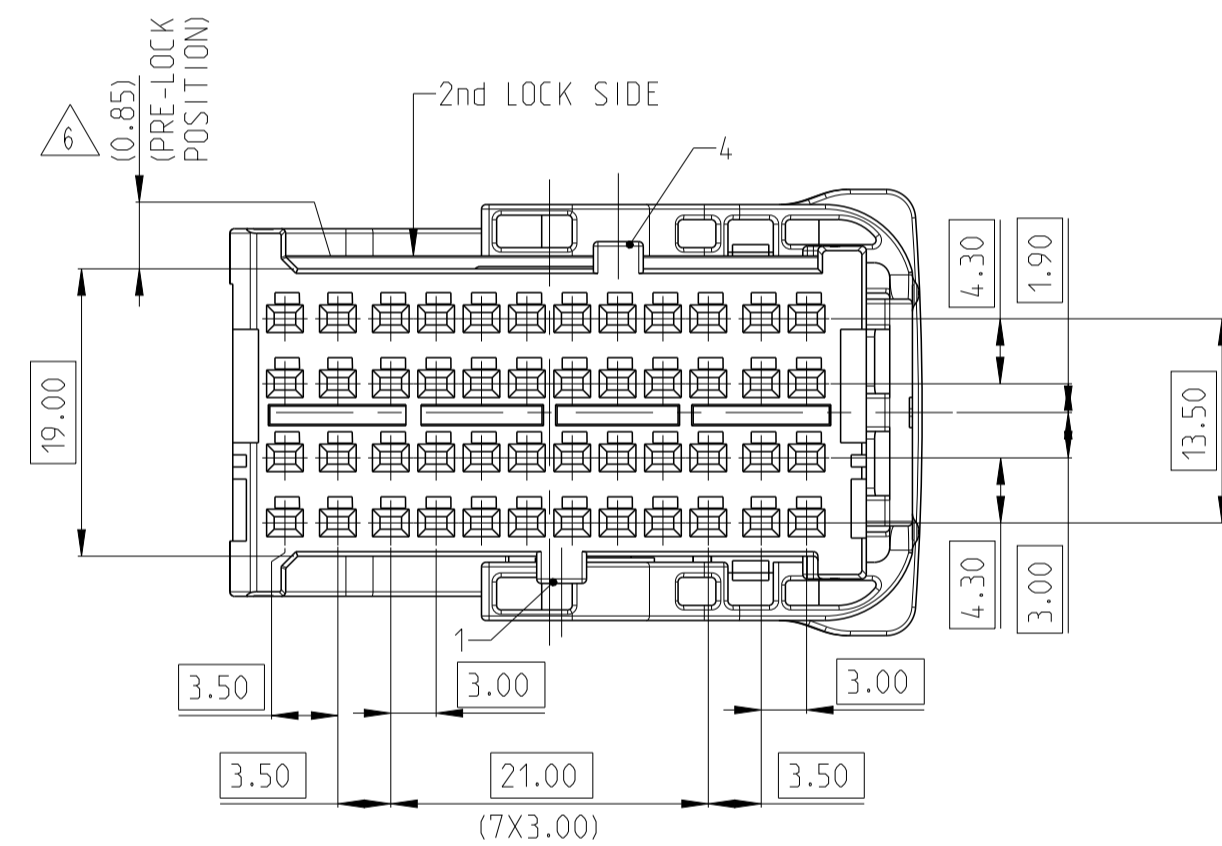
NOTES:

- 1 ASSEMBLY PN AND PART REVISION:
2366036-X A
X: X=1, 2, 3, 4 FOR VARIOUS CODE.
A: PART REVISION. DETAIL SEE TABLE ON THE DRAWING SHEET 1.
2. MATERIAL: SEE TABLE ON THE DRAWING SHEET 1.
- 3 IDENTIFICATION FOR CABLE PINOUT.
- 4 THE ASSEMBLY DATE CODE: IDENTIFIES THE YEAR, MONTH, DAY AND HOUR OF ASSEMBLY.
SUCH AS :19A1309
19: YEAR, FIRST AND SECOND DIGITS (19=2019)
A: MONTH, THIRD DIGIT, EXCLUDING "1". A=JAN, B=FEB, C=MARCH...H=AUGUST, J=SEPTEMBER...
13: DAY, FOURTH AND FIFTH DIGITS(13=13th DAY)
09: HOUR, SIXTH AND SEVENTH DIGITS(09=09AM)
5. INSTALL LEVER AND SECOND LOCK ONTO HOUSING AS SHOWN.
6. VERIFY THE SECOND LOCK SEATED ON PRE-LOCK POSITION FOR DELIVERY.
PULL SECOND LOCK TO PRE-LOCK BEFORE TERMINAL INSERTION IN CASE OF SECOND LOCK BEING HIT TO END-LOCK POSITION.
7. APPLICABLE TERMINAL PART NUMBERS AND WIRE SIZE SHOWN AS BELOW FOR RECOMMEND.
CONSULT TE CONNECTIVITY FOR MORE APPLICATION INFORMATION.

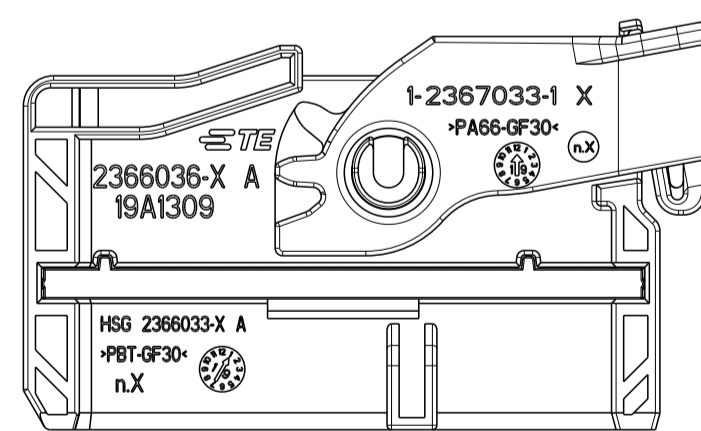
B1

7-1452656-1	TIN	0.50-0.75	Ø1.40-Ø1.90
7-1452659-1	TIN	1.0-1.5	Ø1.90-Ø2.40
TERMINAL PN	TERMINAL PLATING	WIRE SIZE (MM2)	INSULATION WIRES OD (MM)

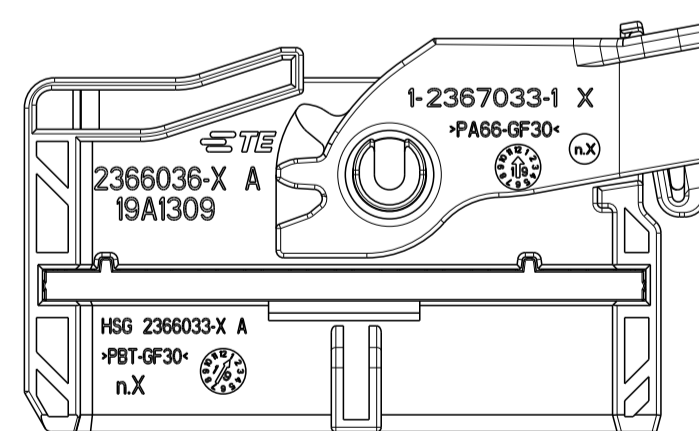
8. THIS PLUG MATES WITH TAB 2366066-X. (X=1, 2, 3, 4 FOR VARIOUS CODE).



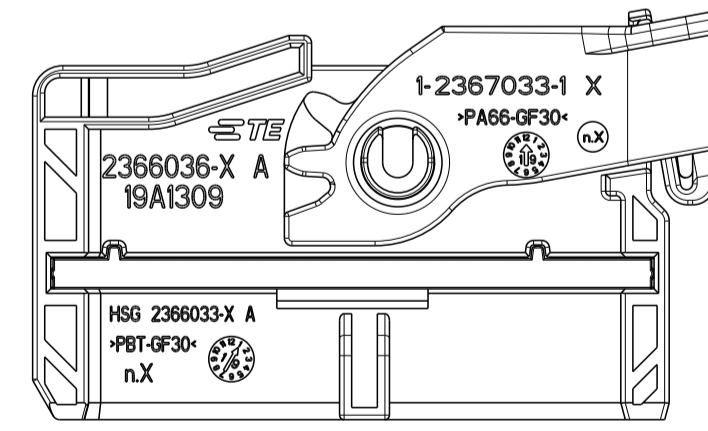
CODING A
2366036-1



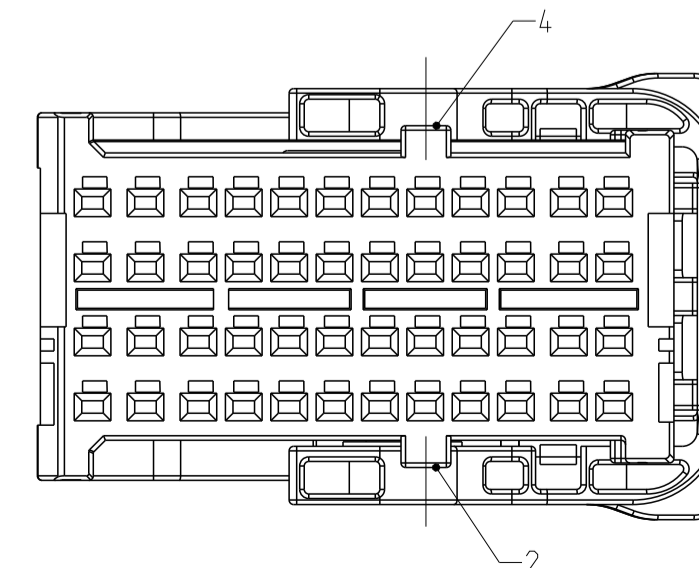
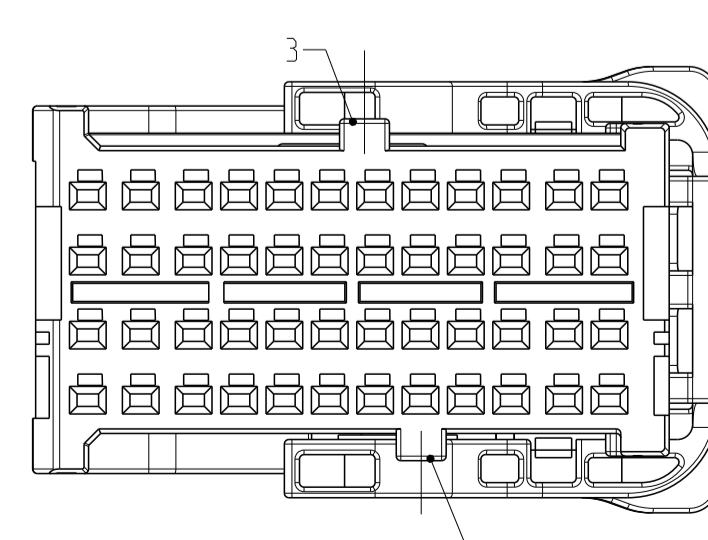
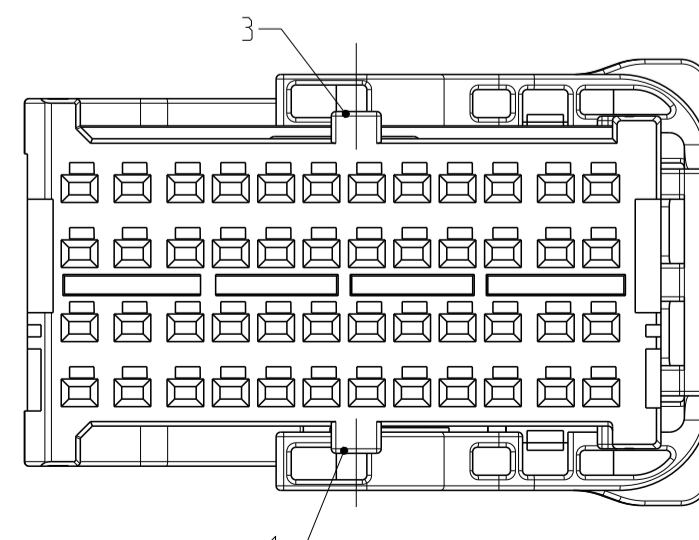
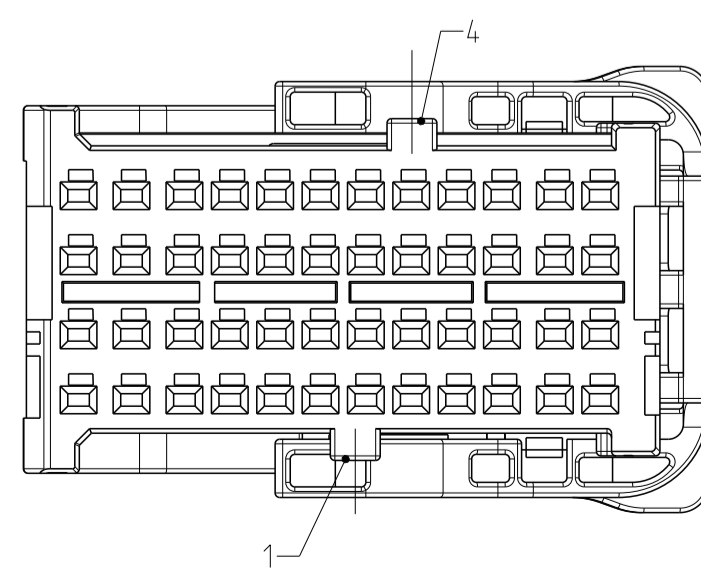
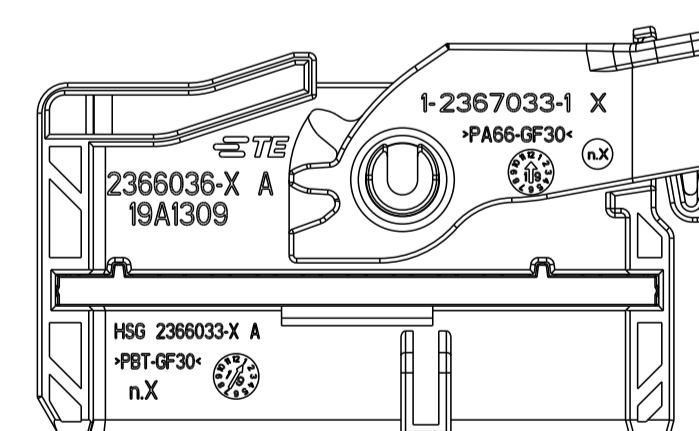
CODING B
2366036-2



CODING C
2366036-3



CODING D
2366036-4



1	1	1	1	LEVER	PA66-GF30	YELLOW	3
1	1	1	1	SECOND LOCK	PBT-GF30	YELLOW	2
	1			HOUSING, CODE D	PBT-GF30	BLUE	1
		1		HOUSING, CODE C	PBT-GF30	GREEN	
			1	HOUSING, CODE B	PBT-GF30	GRAY	
			1	HOUSING, CODE A	PBT-GF30	BLACK	
-4	-3	-2	-1	PART NO	MATERIAL	COLOUR	ITEM NO
D	C	B	A	CODING			
B	B	B	B	REVISION OF EACH ASSY NO (WHEN BLANK, USE DWG REVISION)			
19.41	19.41	19.41	19.41	WEIGHT OF EACH ASSY NO. (g)			
QTY REQD PER ASSY				PARTS LIST			
THIS DRAWING IS A CONTROLLED DOCUMENT.				DWN S.ZHANG 03JAN2020 CHK E.JIANG 03JAN2020 APVD LYJIN 03JAN2020			
DIMENSIONS:		TOLERANCES UNLESS OTHERWISE SPECIFIED:		NAME 48POS. MCON 1.2LL, PLUG HSG ASSY UNSEALED, CONNECTOR PRODUCT SPEC 108-32618 APPLICATION SPEC 116-32365			
mm		0 PLC ±0.5 1 PLC ±0.3 2 PLC ±0.20 3 PLC ±0.100 4 PLC ±0.0500 ANGLES ±0.5°		SIZE CAGE CODE DRAWING NO		RESTRICTED TO	
MATERIAL		FINISH		WEIGHT		A 00779 C=2366036	
CUSTOMER DRAWING				SCALE 2:1 SHEET 1 OF 1 REV B1			