

4

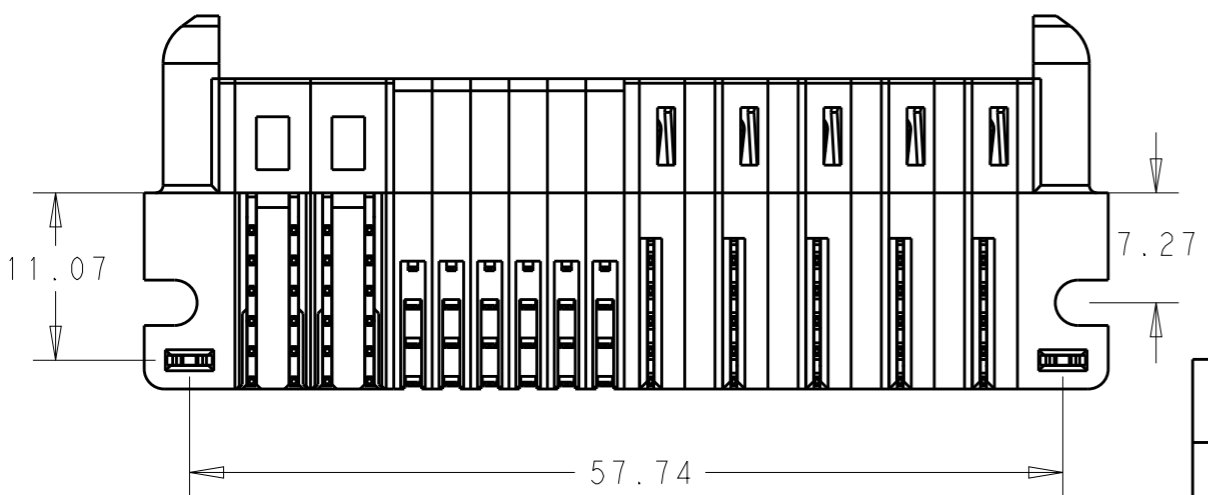
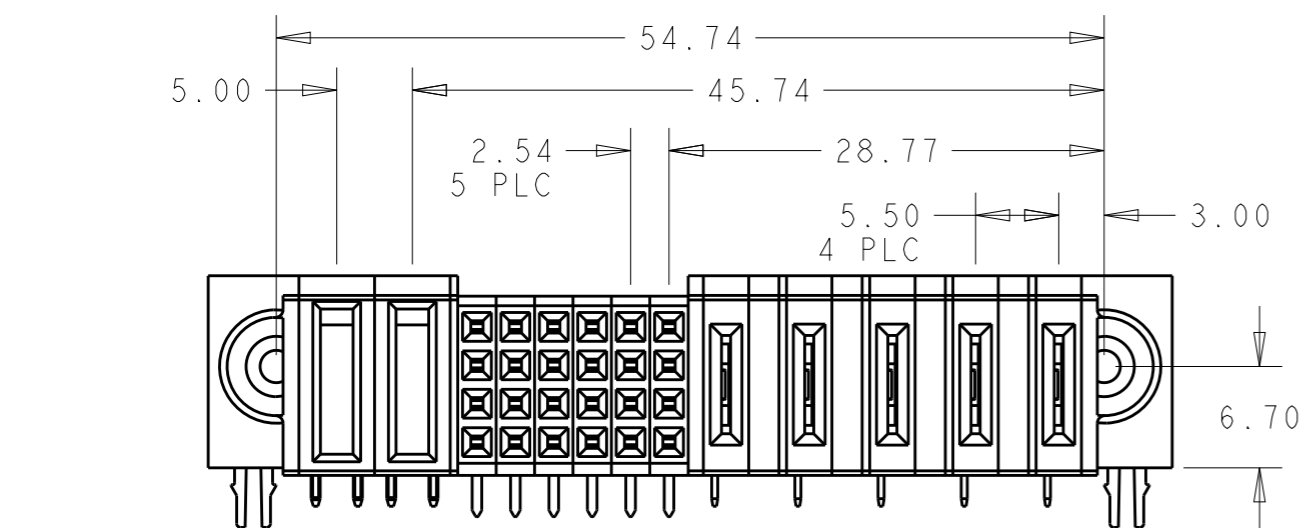
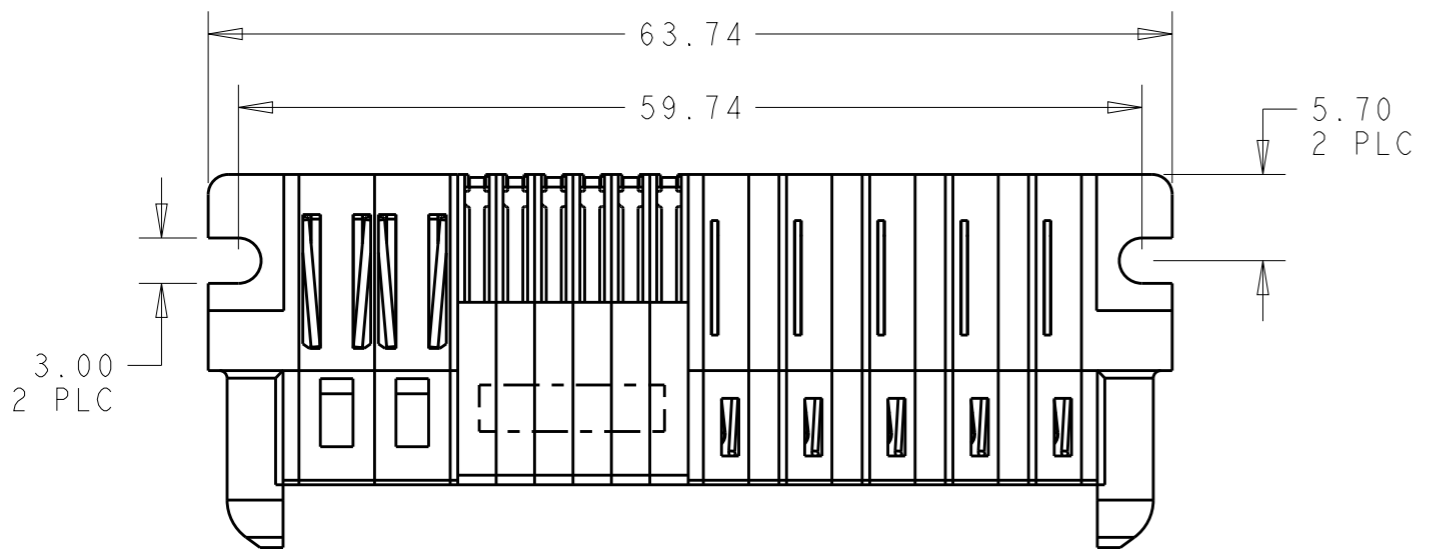
3

2

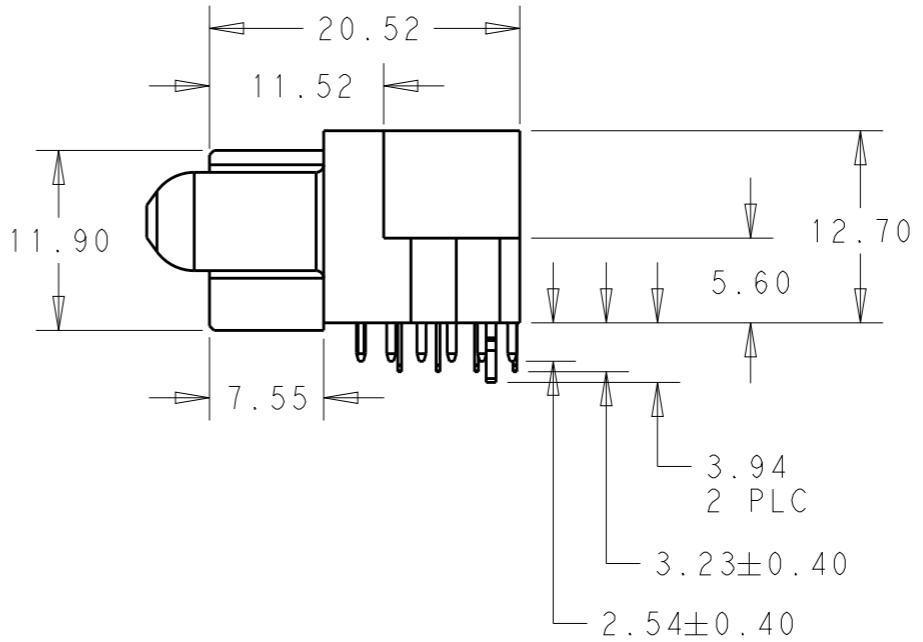
1

THIS DRAWING IS UNPUBLISHED. RELEASED FOR PUBLICATION 20
 © COPYRIGHT 20 BY - ALL RIGHTS RESERVED.

REVISIONS					
P	LTR	DESCRIPTION	DATE	DWN	APVD
	1	PROPOSAL DESIGN	03AUG2018	WY	SZ
	A	REVISED	27JUL2020	WY	SZ



- 1 "TE", PART NUMBER, AND DATECODE TO BE MARKED IN AREA SHOWN. PARTS UNDER 2.00 LONG MAY BE MARKED ON BOTH SIDES.
- 2 MATERIAL:
HOUSING - GLASS FILLED HIGH TEMP THERMO PLASTIC, BLACK, UL94 V-0
SIGNAL CONTACT - COPPER ALLOY
POWER CONTACT - HIGH CONDUCTIVITY COPPER ALLOY
- 3 CONTACT PLATING: NOBLE METAL PLATING ON CONTACT FUNCTIONAL AREA OF POWER AND SIGNAL CONTACTS.
- 4 MECHANICAL CONNECTOR KEEP OUT ZONE.
- 5 DATUM AND BASIC DIMENSIONS ESTABLISHED BY CUSTOMER.
- 6 PCB - HOLE DIAMETERS ARE FINISHED HOLE SIZE.
- 7 PCB - .0453±.0010 DRILLED HOLES PLATED WITH .0003 MIN Sn OVER .001 TO .003 Cu PLATING TO ACHIEVE A .040 ±.003 HOLE.



5LP + 24S + 2P	2334570-4
DESCRIPTION	PART NUMBER

THIS DRAWING IS A CONTROLLED DOCUMENT.		DWN	03AUG2018	STE TE Connectivity	NAME RIGHT ANGLE RECEPTACLE, SOLDER MULTI-BEAM PLUS
DIMENSIONS: mm		CHK	03AUG2018		
TOLERANCES UNLESS OTHERWISE SPECIFIED:		APVD	03AUG2018		
0 PLC ±- 1 PLC ±- 2 PLC ±0.25 3 PLC ±0.15 4 PLC ±- ANGLES ±-		PRODUCT SPEC	-		
MATERIAL		FINISH	-	APPLICATION SPEC	-
- 2		- 3		WEIGHT	-
CUSTOMER DRAWING				SIZE	A3
				CAGE CODE	00779
				DRAWING NO	2334570-4
				RESTRICTED TO	-
				SCALE	1:1
				SHEET	1 OF 2
				REV	A

4

3

2

1

THIS DRAWING IS UNPUBLISHED.

RELEASED FOR PUBLICATION

20

© COPYRIGHT 20 BY -

ALL RIGHTS RESERVED.

REVISIONS

P	LTR	DESCRIPTION	DATE	DWN	APVD
		SEE SHEET 1			

PART NUMBER	ROWS	POWER		SIGNAL						LOW POWER				
		P2	P1	6	5	4	3	2	1	LP5	LP4	LP3	LP2	LP1
2334570-4	E	RNRMRNRM	RNRMRNRM	V4	V4	V4	V4	V4	V4	LM	LM	LM	LM	LM
	D			V3	V3	V3	V3	V3						
	C			V2	V2	V2	V2	V2						
	B			V1	V1	V1	V1	V1						

5LP + 24S + 2P

RECOMMENDED PCB LAYOUT

STD SOLDER LOW POWER CONTACT	LM
STD SOLDER TYPE SIGNAL CONTACT, R/A, ROW D	V4
STD SOLDER TYPE SIGNAL CONTACT, R/A, ROW C	V3
STD SOLDER TYPE SIGNAL CONTACT, R/A, ROW B	V2
STD SOLDER TYPE SIGNAL CONTACT, R/A, ROW A	V1
STD SOLDER POWER CONTACT, RIGHT	RN
STD SOLDER POWER CONTACT, LEFT	RM
HOUSING	HOUSING
HOLD DOWN, MULTI-BEAM	HD
DESCRIPTION	IDENTIFIER

THIS DRAWING IS A CONTROLLED DOCUMENT.

DWN WY 03AUG2018

CHK WY 03AUG2018

APVD SZ 03AUG2018

PRODUCT SPEC

APPLICATION SPEC

WEIGHT

CUSTOMER DRAWING

DIMENSIONS:
mmTOLERANCES UNLESS
OTHERWISE SPECIFIED:

0 PLC	±-
1 PLC	±-
2 PLC	±0.25
3 PLC	±0.15
4 PLC	±-
ANGLES	±-

MATERIAL

FINISH

- 2

- 3

TE Connectivity

NAME			
RIGHT ANGLE RECEPTACLE, SOLDER MULTI-BEAM PLUS			

SIZE	CAGE CODE	DRAWING NO	RESTRICTED TO
A3	00779	C=2334570-4	-

A300779 C=2334570-4

SCALE	SHEET	OF	REV
1:1	2	2	A

1470-19 (3/13)