

<b>CUSTOMER DRAWING</b>		
<b>CATALOG # GA310</b>		
ECN #	APPRVD.	DATE

SAFETY ORGANIZATIONS

THE CONNECTOR USED IN THIS ASSEMBLY HAS RECEIVED RECOGNITION, CERTIFICATION AND APPROVAL IN FILES INDICATED BY THE FOLLOWING AGENCIES:

UL: E29179  
 CSA: LR19980  
 TUV: R9151436

OPERATING SPECIFICATIONS

LINE CURRENT/VOLTAGE: 15 AMP, 125 VDC,

LINE FREQUENCY: N/A

MAXIMUM LEAKAGE CURRENT, N/A  
 EACH LINE TO GROUND:

OPERATING AMBIENT TEMP. RANGE: -10°C TO +40°C @ RATED CURRENT, I<sub>r</sub>.

IN AN AMBIENT, T<sub>0</sub>, HIGHER THAN 55°C, THE MAXIMUM OPERATING CURRENT, I<sub>0</sub>, IS AS FOLLOWS:

$$I_0 = I_r \sqrt{\frac{100 - T_0}{45}}$$

RELIABILITY SPECIFICATIONS:

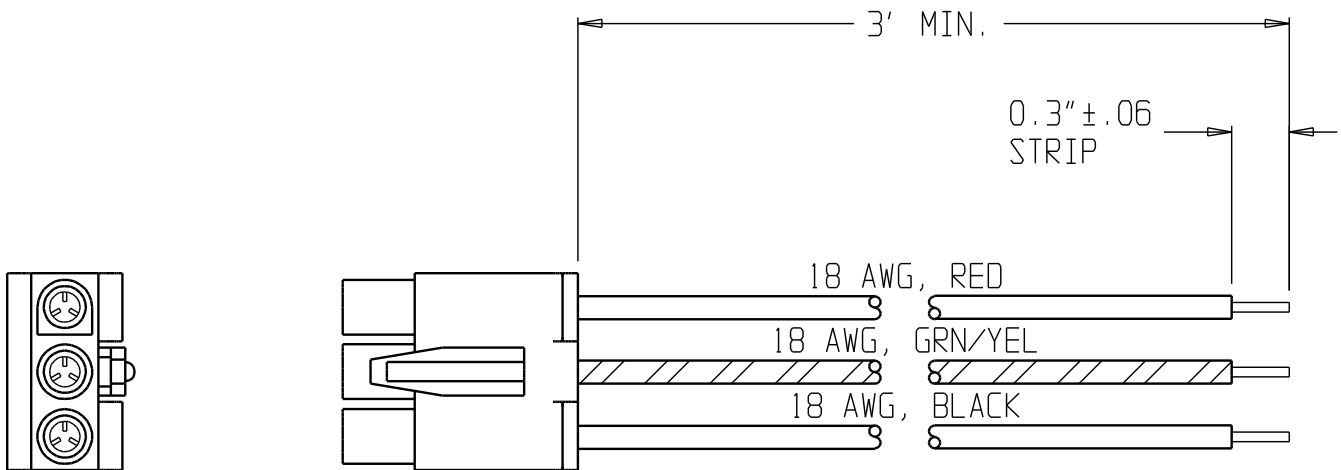
STORAGE TEMPERATURE: -40°C TO +85°C  
 HUMIDITY: 21 DAYS @ 40°C 95% RH.  
 CURRENT OVERLOAD TEST: 6 TIMES I<sub>r</sub> FOR 8 SECONDS

TEST SPECIFICATIONS:

INDUCTANCE: XXXX mH NOMINAL  
 CAPACITANCE: (MEASURED @ 1KHz, 0.250VAC MAX., 25°C±1°C)  
 LINE TO GROUND: X.XXXX μF ±20%  
 LINE TO LINE: X.XXXX μF ±20%  
 DISCHARGE RESISTOR: X.XM Ω  
 L/G AND L/L I.R.  
 NO DISCHARGE RESISTOR: 6000M Ω (MIN.) @ 100VDC, 20°C AND 50% RH

FILTER APPROVAL:

THE BEST WAY TO SELECT AND QUALIFY A FILTER IS FOR YOUR ENGINEERING TO TEST THE UNIT IN YOUR EQUIPMENT.



50Ω- 50Ω(MINIMUM) INSERTION LOSS										THIRD ANGLE PROJECTION		 CORCON PRODUCTS, 620 S. BUTTERFIELD RD. MUNDELEIN IL 60060		
FREQUENCY MHz	/	/	/	/	/	/	/	/	/	/	UNLESS OTHERWISE SPECIFIED, TOLERANCE TO BE ±.025 MATERIAL & FINISH: AS SUPPLIED		CONNECTOR ASSEMBLY	
COMMON dB	/	/	/	/	/	/	/	/	/	/	THIS INFORMATION IS CONFIDENTIAL AND PROPRIETARY TO TYCO ELECTRONICS CORPORATION AND ITS WORLDWIDE SUBSIDIARIES AND AFFILIATES. IT MAY NOT BE DISCLOSED TO ANYONE OTHER THAN TYCO ELECTRONICS PERSONNEL WITHOUT WRITTEN AUTHORIZATION FROM TYCO ELECTRONICS CORPORATION. HARRISBURG, PENNSYLVANIA USA		TYCO ELECTRONICS PART NO. 0-1609136-2	REV. 0
DIFF. dB	/	/	/	/	/	/	/	/	/	/	SCALE: NTS	DATE: 30MAR04	CATALOG NO. GA310	
											DRW. BY: SD	DRTG: ELC		