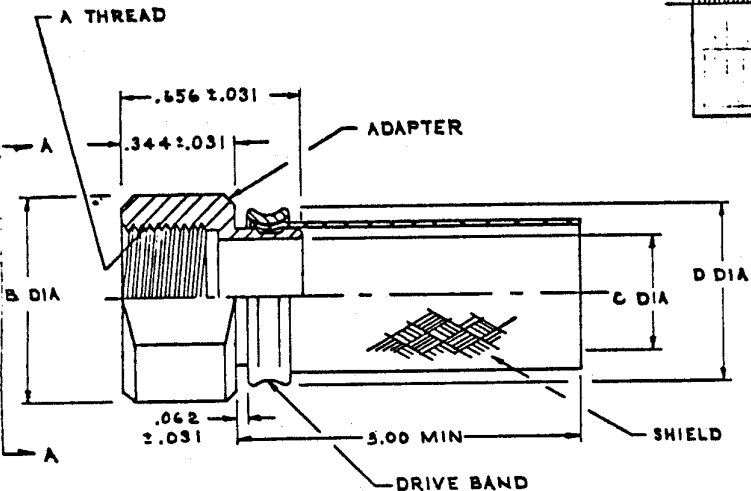
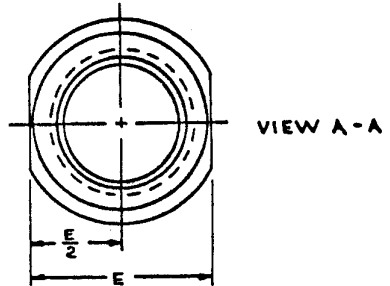


If this document is printed it becomes uncontrolled.  
Check for the latest revision.

REVISIONS			
LTR	DESCRIPTION	DATE	APPROVED
F	REVISED & REDRAWN PER C. PIERCE	2-24-76	<i>CP</i>
G	ENG. NOTE & C' CONFIGURATION	3-1-76	<i>SP</i>
H	ENG. DWG. PER B. MC COY MEMO (2-1-76)	3-3-76	<i>SP</i>
J	ENG. DWG. PER MAC/DAC	3-20-76	<i>MAC</i>



— ADAPTER WITH THERMOFIT BOOT —  
(INSTALLED      RECOVERED)



NOTES:

- ASSEMBLY IDENTIFICATION PER MIL-STD.-130..
- MATERIAL: ADAPTER - QQ-A-225/3, T3 OR QQ-A-225/6, T4  
DRIVE BAND - QQ-A-225/8, TO  
SHIELD ~ TINNED COPPER 36 GAUGE PER QQ-B-575
- FINISH: ADAPTER ~ ELECTRO-TIN PER MIL-T-10727, TYPE I,  
.0003 INCH MINIMUM THICKNESS  
DRIVE BAND ~ CHEM FILM PER MIL-C-5541
- ELECTROFORMED SHIELD ADAPTER / DRIVE BAND JOINT SHALL  
BE CAPABLE OF WITHSTANDING 200 POUND TENSILE PULL.
- THREADED ADAPTER SHALL CONTAIN THE LSS PART NUMBER.

— ADAPTER BODY —

RAYCHEM PART NO.	SHELL SIZE	A R.H. THREAD CLASS 2B	B DIA ±.015	E ±.015	C DIA ±.020	D DIA REF	RAYCHEM BOOT PART NO.
LSS 817-7A	7	.750-20 UNEF	.875	.827	.625	.825	202D232-4-26

SPECIFICATION CONTROL DRAWING

DASH NO	MATL DESCRIPTION	RT SPEC	THIS DRAWING AND THE INFORMATION SET FORTH HEREON ARE THE PROPERTY OF RAYCHEM CORPORATION AND ARE TO BE HELD IN TRUST AND CONFIDENCE. REPLICATION, DISCLOSURE, OR USE FOR ANY PURPOSE NOT EXPRESSLY AUTHORIZED IN WRITING BY RAYCHEM CORPORATION IS PROHIBITED.  DO NOT SCALE THIS DRAWING	UNLESS OTHERWISE SPECIFIED DIMENSIONS ARE IN INCHES AND TOLERANCES ARE: .XXX: ± .XX: ± .X: ±	DRAWN 2-24-76	<b>Raychem</b>  TITLE EMF SHIELD ADAPTER WITH THERMOFIT BOOT FOR MIL-C-81703 CONNECTORS  CODE IDENT. NO. 06080 DWG. NO. LSS 817-7A	RAYCHEM CORPORATION 300 CONSTITUTION DRIVE MENLO PARK, CALIFORNIA 94025	
					CHECKED 2-27-76		CC APPD 2-27-76	PROJECT SIZE B SCALE SHEET 1 OF 1
					DSGN APPD		MKTG APPD 2-27-76	
					NEXT ASSY USED ON			