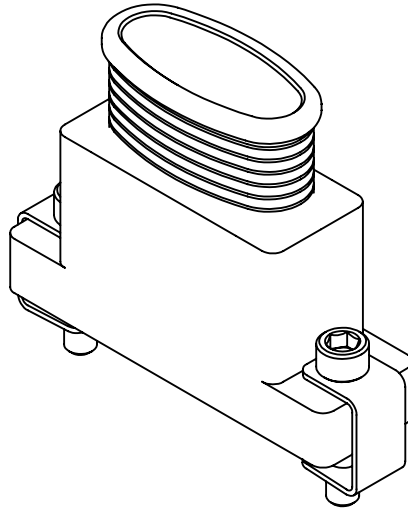


| REVISIONS | | | | |
|-----------|-----------------|------------|-------|------|
| REV | DESCRIPTION | DATE | DRAWN | APPD |
| AA | INITIAL RELEASE | 05/08/2019 | DIW | RS |
| AB | ECR7259 | 05/09/2019 | DIW | RS |
| AC | CRN26424 | 14/05/2024 | DIW | RS |



MICRO-MINIATURE BACKSHELL WITH MICRO BAND SCREENED CABLE TERMINATION

EXAMPLE PART DESCRIPTION: MB MMD - U D S M S 0 - 05 - 30 - 1 - C - S

TERMINATION SERIES _____
 (MB - MICRO BAND)
 CONNECTOR _____
 (SEE NOTE 2)
 ENTRY POSITION _____
 SHELL SIZE _____
 SHELL STYLE _____
 INTERFACE VARIANT _____
 FLANGE STYLE _____
 GROUNDING OPTION _____
 ENTRY SIZE _____
 MAIN BODY HEIGHT IN mm _____
 MATERIAL (REFER TO SS0076) _____
 PLATING/FINISH (REFER TO SS0076) _____
 HARDWARE OPTION _____

NOTES.


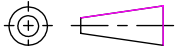
- THIS PRODUCT IS DESIGNED TO TERMINATE A BRAIDED CABLE SHIELD TO A CONNECTOR.
- THIS PRODUCT IS DESIGNED TO MATE WITH CONNECTORS CONFORMING TO:
 - MIL-DTL-83513/1, /2, /3 AND /4, SHELL SIZES A, B, C, D, E, F, G AND H
- BACKSHELL TO BE PERMANENTLY MARKED WITH PART NUMBER AND BATCH CODE (e.g. MBMMD-UDSMS0-05-30-1-C-S Pxxxxxx - WHERE Pxxxxxx IS BATCH CODE) AND BAGGED/LABELLED WITH CODE IDENTIFICATION NUMBER, PART NUMBER AND BATCH CODE (e.g. U5792 - MBMMD-UDSMS0-05-30-1-C-S Pxxxxxx)

RELEASED FOR PUBLICATION

ALL RIGHTS RESERVED.

THIS DRAWING IS UNPUBLISHED.

COPYRIGHT 20 BY

| | | | | | |
|---|-------------------|------------|--|-----------|--------------|
| DIMENSIONS: MILLIMETERS | DWN: D. WRIGLEY | 05/08/2019 | MATERIAL: | FINISH: | |
| | CHK: R. STYLES | 13/08/2019 |  TE Connectivity | | |
| TOLERANCES UNLESS OTHERWISE SPECIFIED: | APVD: M. PAUL | 05/08/2019 | | | PART NUMBER: |
| GENERAL TOL LINEAR $\pm 0,25$ MM ANGULAR $\pm 1^\circ$ | PRODUCT SPEC: | - | NAME: MICRO BAND TERMINATION MICRO MINIATURE BACKSHELL | | |
| | APPLICATION SPEC: | - | SIZE | CAGE CODE | DRAWING NO |
|  | WEIGHT: | A4 | U5792 | C=P43735 | |
| | CUSTOMER DRAWING | SCALE | 2:1 | SHEET | 1 OF 6 |

REVISIONS - SEE SHEET 1

PART NUMBER BREAKDOWN STANDARD VARIABLES

ENTRY POSITION (SEE SHEET 3):

- U - TOP ENTRY
- F - END 45° ENTRY
- E - END 90° ENTRY
- J - SIDE 45° ENTRY
- S - SIDE 90° ENTRY

SHELL SIZE:

- A, B, C, D, E, F, G, H

SHELL STYLE:

- S - SINGLE PIECE BODY

INTERFACE VARIANT:

- M - MIRRORED

FLANGE STYLE:

- T - THIN FLANGE (SEE SHEET 4)
- S - STANDARD FLANGE (SEE SHEET 4)

GROUNDING OPTION:

- 0 - NO GROUNDING (INTERNAL GROUNDING NOT PROVIDED ON MICRO MINIATURE BACKSHELLS)

ENTRY SIZE:

- 02 - 11 (SEE SHEET 5)

MAIN BODY HEIGHT IN mm:

MINIMUM HEIGHT SHOWN ON ENTRY SIZE TABLE 1 AND ENTRY SIZE TABLE 2 ON SHEET 5; MAXIMUM HEIGHT = 60mm; INCREMENTS OF 5mm

MATERIAL:

PLEASE REFER TO SS0076

PLATING/FINISH:

PLEASE REFER TO SS0076

HARDWARE OPTION:


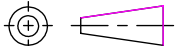
0, S, H, E, F (SEE SHEET 6)

RELEASED FOR PUBLICATION

ALL RIGHTS RESERVED.

THIS DRAWING IS UNPUBLISHED.

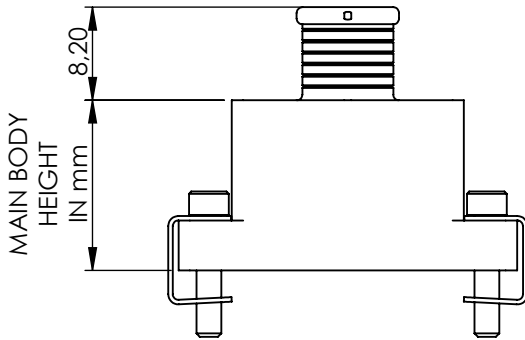
© COPYRIGHT 20 BY

| | | | | |
|---|-------------------|------------|---|---------------|
| DIMENSIONS: MILLIMETERS | DWN: D. WRIGLEY | 05/08/2019 | MATERIAL: | FINISH: |
| | CHK: R. STYLES | 13/08/2019 |  TE Connectivity | |
| TOLERANCES UNLESS OTHERWISE SPECIFIED: | APVD: M. PAUL | 05/08/2019 | | |
| GENERAL TOL LINEAR $\pm 0,25$ MM ANGULAR $\pm 1^\circ$ | PRODUCT SPEC: | - | NAME: MICRO BAND TERMINATION MICRO MINIATURE BACKSHELL | |
| | APPLICATION SPEC: | - | SIZE | CAGE CODE |
| | WEIGHT: | - | A4 | U5792 |
|  | CUSTOMER DRAWING | | DRAWING NO | RESTRICTED TO |
| | | | C=P43735 | |
| | | | SCALE | 2:1 |
| | | | SHEET | 2 OF 6 |
| | | | REV | AC |

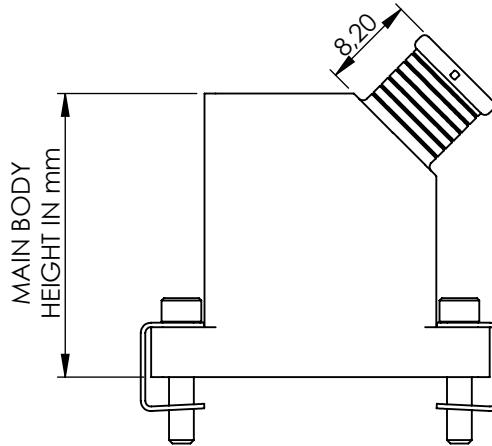
REVISIONS - SEE SHEET 1

ENTRY POSITION

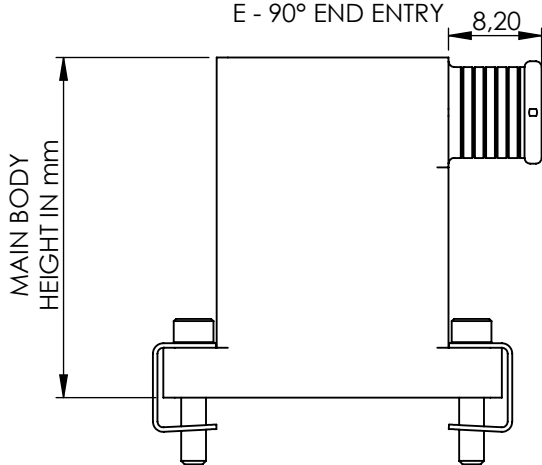
U - TOP ENTRY



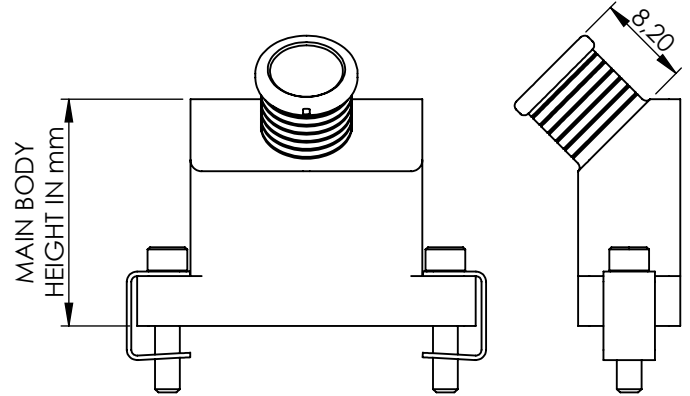
F - 45° END ENTRY



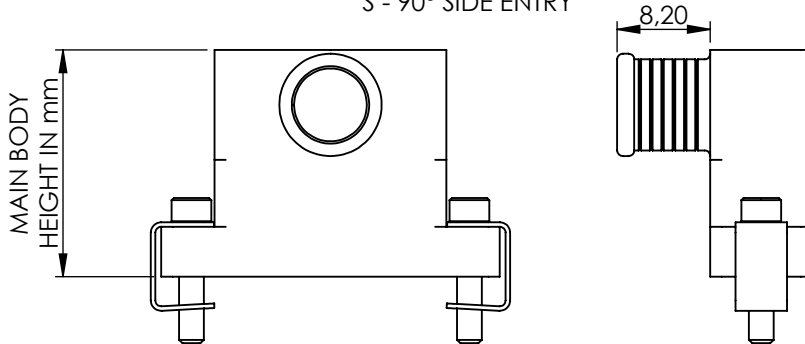
E - 90° END ENTRY



J - 45° SIDE ENTRY



S - 90° SIDE ENTRY


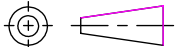


RELEASED FOR PUBLICATION

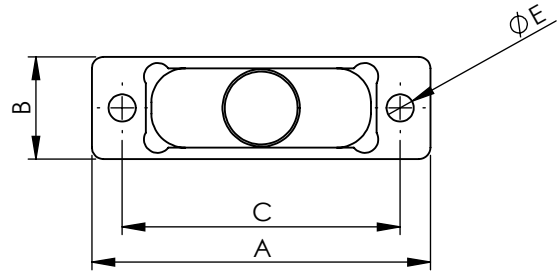
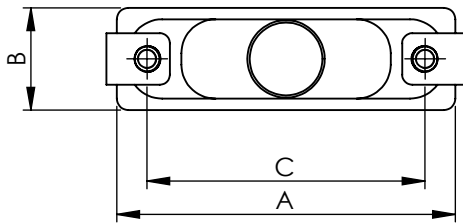
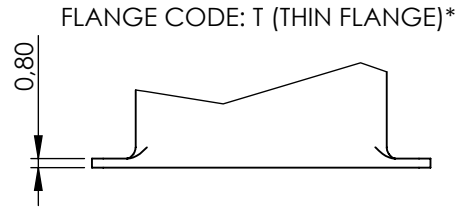
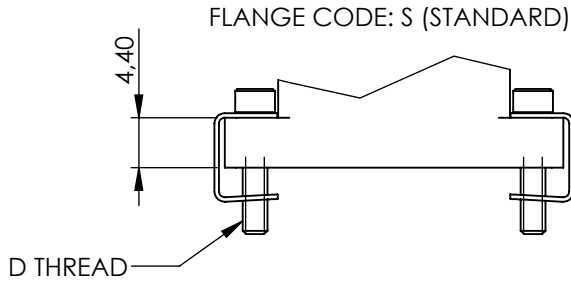
ALL RIGHTS RESERVED.

THIS DRAWING IS UNPUBLISHED.

© COPYRIGHT 20 BY

| | | | | | |
|---|----------------------------|--|-----------|--------------|---------------|
| DIMENSIONS: MILLIMETERS | DWN: D. WRIGLEY 05/08/2019 | MATERIAL: | FINISH: | | |
| | CHK: R. STYLES 13/08/2019 |  TE Connectivity | | | |
| TOLERANCES UNLESS OTHERWISE SPECIFIED: | APVD: M. PAUL 05/08/2019 | | | PART NUMBER: | MBMMD SERIES |
| GENERAL TOL LINEAR ±0.25MM ANGULAR ±1° | PRODUCT SPEC: | NAME: MICRO BAND TERMINATION MICRO MINIATURE BACKSHELL | | | |
| | APPLICATION SPEC: | SIZE | CAGE CODE | DRAWING NO | RESTRICTED TO |
|  | WEIGHT: | A4 | U5792 | ©-P43735 | |
| | CUSTOMER DRAWING | SCALE | 1.5:1 | SHEET | 3 OF 6 |

REVISIONS - SEE SHEET 1



| SHELL SIZE | CONNECTOR REF. | A | B | C | D THREAD | E |
|------------|----------------|-------|-------|-------|---------------|------|
| A | 09 | 19,68 | 9,00 | 14,35 | 2-56 UNC - 2A | 2,40 |
| B | 15 | 23,50 | 9,00 | 18,16 | | |
| C | 21 | 27,30 | 9,00 | 21,97 | | |
| D | 25 | 29,84 | 9,00 | 24,51 | | |
| E | 31 | 33,66 | 9,00 | 28,32 | | |
| F | 37 | 37,46 | 9,00 | 32,13 | | |
| G | 51 | 36,20 | 10,00 | 30,86 | | |
| H | 100 | 54,86 | 11,00 | 45,72 | 4-40 UNC - 2A | 3,60 |

* - THIN FLANGE OPTION IS NOT SUPPORTED WITH TE SUPPLIED HARDWARE; ALL PART DESCRIPTIONS INCLUDING CODE 'T' FOR THIN FLANGE MUST USE CODE '0' FOR HARDWARE.
 THIN FLANGE BACKSHELLS ARE DESIGNED TO ACCOMMODATE A CUSTOMER-SOURCED JACK SCREW OF MAXIMUM HEAD DIAMETER OF:
 SHELL SIZES A TO G: 3,50mm (.138")
 SHELL SIZE H: 4,60mm (.181")

THIS DRAWING IS UNPUBLISHED. ALL RIGHTS RESERVED. RELEASED FOR PUBLICATION BY COPYRIGHT 20

| | | | |
|--|----------------------------|--|-----------------------|
| DIMENSIONS: MILLIMETERS | DWN: D. WRIGLEY 05/08/2019 | MATERIAL: | FINISH: |
| | CHK: R. STYLES 13/08/2019 | STE TE Connectivity | |
| TOLERANCES UNLESS OTHERWISE SPECIFIED: GENERAL TOL LINEAR ±0,25MM ANGULAR ±1° | APVD: M. PAUL 05/08/2019 | PART NUMBER: MBMMD SERIES | |
| | PRODUCT SPEC: - | NAME: MICRO BAND TERMINATION MICRO MINIATURE BACKSHELL | |
| APPLICATION SPEC: - | WEIGHT: | SIZE: A4 | CAGE CODE: U5792 |
| | CUSTOMER DRAWING | DRAWING NO: P43735 | RESTRICTED TO: |
| | | SCALE: 1,5:1 | SHEET: 4 OF 6 REV: AC |

REVISIONS - SEE SHEET 1

AVAILABLE ENTRY SIZES

| SHELL SIZE | CONNECTOR REF. | U - TOP ENTRY | | F - 45° END ENTRY | | E - 90° END ENTRY | | J - 45° SIDE ENTRY | | S - 90° SIDE ENTRY | |
|------------|----------------|---------------|------------|-------------------|------------|-------------------|------------|--------------------|------------|--------------------|------------|
| | | CIRCULAR | ELLIPTICAL | CIRCULAR | ELLIPTICAL | CIRCULAR | ELLIPTICAL | CIRCULAR | ELLIPTICAL | CIRCULAR | ELLIPTICAL |
| A | 09 | 02 - 04 | NA | 02 - 04 | NA | 02 - 04 | NA | 02 - 04 | NA | 02 - 04 | NA |
| B | 15 | 02 - 04 | 05 | 02 - 04 | 05 | 02 - 04 | 05 | 02 - 04 | 05 | 02 - 04 | 05 |
| C | 21 | 02 - 04 | 05 - 06 | 02 - 04 | 05 - 06 | 02 - 04 | 05 - 06 | 02 - 04 | 05 - 06 | 02 - 04 | 05 - 06 |
| D | 25 | 02 - 04 | 05 - 06 | 02 - 04 | 05 - 06 | 02 - 04 | 05 - 06 | 02 - 04 | 05 - 06 | 02 - 04 | 05 - 06 |
| E | 31 | 02 - 04 | 05 - 07 | 02 - 04 | 05 - 07 | 02 - 04 | 05 - 07 | 02 - 04 | 05 - 07 | 02 - 04 | 05 - 07 |
| F | 37 | 02 - 04 | 05 - 08 | 02 - 04 | 05 - 08 | 02 - 04 | 05 - 08 | 02 - 04 | 05 - 08 | 02 - 04 | 05 - 08 |
| G | 51 | 02 - 05 | 06 - 08 | 02 - 05 | 06 - 08 | 02 - 05 | 06 - 08 | 02 - 05 | 06 - 08 | 02 - 05 | 06 - 08 |
| H | 100 | 02 - 05 | 06 - 11 | 02 - 05 | 06 - 11 | 02 - 05 | 06 - 11 | 02 - 05 | 06 - 11 | 02 - 05 | 06 - 11 |



ENTRY SIZE TABLE 1 - CIRCULAR ENTRY ONLY

| ENTRY SIZE (CIRCULAR) | DIA Z MIN | U - TOP ENTRY MINIMUM MAIN BODY HEIGHT IN mm | F - 45° END ENTRY MINIMUM MAIN BODY HEIGHT IN mm | | E - 90° END ENTRY MINIMUM MAIN BODY HEIGHT IN mm | | J - 45° SIDE ENTRY MINIMUM MAIN BODY HEIGHT IN mm | | S - 90° SIDE ENTRY MINIMUM MAIN BODY HEIGHT IN mm | |
|-----------------------|-----------|--|--|-------------|--|-------------|---|-------------|---|-------------|
| | | | STANDARD FLANGE | THIN FLANGE | STANDARD FLANGE | THIN FLANGE | STANDARD FLANGE | THIN FLANGE | STANDARD FLANGE | THIN FLANGE |
| 02 | 3,18 | 15,0 | 25,0 | 20,0 | 25,0 | 20,0 | 20,0 | 20,0 | 20,0 | 20,0 |
| 03 | 4,77 | 15,0 | 25,0 | 20,0 | 30,0 | 20,0 | 20,0 | 20,0 | 20,0 | 20,0 |
| 04 | 6,35 | 15,0 | 25,0 | 20,0 | 30,0 | 25,0 | 20,0 | 20,0 | 20,0 | 20,0 |
| 05 | 7,93 | 15,0 | 30,0 | 20,0 | 30,0 | 25,0 | 20,0 | 20,0 | 20,0 | 20,0 |

ENTRY SIZE TABLE 2 - ELLIPTICAL ENTRY ONLY

| ENTRY SIZE (ELLIPTICAL) | X MIN | Y MIN | U - TOP ENTRY MINIMUM MAIN BODY HEIGHT IN mm | F - 45° END ENTRY MINIMUM MAIN BODY HEIGHT IN mm | | E - 90° END ENTRY MINIMUM MAIN BODY HEIGHT IN mm | | J - 45° SIDE ENTRY MINIMUM MAIN BODY HEIGHT IN mm | | S - 90° SIDE ENTRY MINIMUM MAIN BODY HEIGHT IN mm | |
|-------------------------|-------|-------|--|--|-------------|--|-------------|---|-------------|---|-------------|
| | | | | STANDARD FLANGE | THIN FLANGE | STANDARD FLANGE | THIN FLANGE | STANDARD FLANGE | THIN FLANGE | STANDARD FLANGE | THIN FLANGE |
| 05 | 10,70 | 6,00 | 15,0 | 30,0 | 25,0 | 35,0 | 25,0 | 20,0 | 20,0 | 20,0 | 20,0 |
| 06 | 15,00 | 6,00 | 15,0 | 30,0 | 25,0 | 40,0 | 30,0 | 20,0 | 20,0 | 20,0 | 20,0 |
| 07 | 20,00 | 6,00 | 15,0 | 35,0 | 30,0 | 45,0 | 35,0 | 20,0 | 20,0 | 20,0 | 20,0 |
| 08 | 25,00 | 6,00 | 15,0 | 40,0 | 35,0 | 50,0 | 40,0 | 20,0 | 20,0 | 20,0 | 20,0 |
| 08* | 23,50 | 6,50 | 15,0 | 40,0 | 30,0 | 50,0 | 40,0 | 20,0 | 20,0 | 20,0 | 20,0 |
| 09 | 25,00 | 8,00 | 15,0 | 40,0 | 30,0 | 50,0 | 40,0 | 20,0 | 20,0 | 20,0 | 20,0 |
| 10 | 31,00 | 8,00 | 15,0 | 45,0 | 35,0 | 55,0 | 45,0 | 20,0 | 20,0 | 20,0 | 20,0 |
| 11 | 36,00 | 8,00 | 15,0 | 45,0 | 45,0 | 60,0 | 50,0 | 20,0 | 20,0 | 20,0 | 20,0 |

* - ENTRY SIZE DIMENSIONS APPLY TO SHELL SIZES G AND H ONLY

RELEASED FOR PUBLICATION

ALL RIGHTS RESERVED.

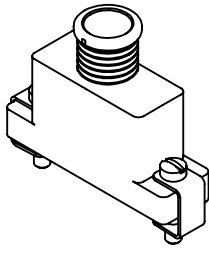
THIS DRAWING IS UNPUBLISHED.

© COPYRIGHT 20 BY

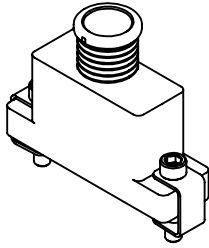
| | | | |
|--|----------------------------|--|------------------|
| DIMENSIONS: MILLIMETERS | DWN: D. WRIGLEY 05/08/2019 | MATERIAL: | FINISH: |
| | CHK: R. STYLES 13/08/2019 | STE TE Connectivity | |
| TOLERANCES UNLESS OTHERWISE SPECIFIED: GENERAL TOL LINEAR ±0,25MM ANGULAR ±1° | APVD: M. PAUL 05/08/2019 | PART NUMBER: MBMMD SERIES | |
| | PRODUCT SPEC: - | NAME: MICRO BAND TERMINATION MICRO MINIATURE BACKSHELL | |
| APPLICATION SPEC: - | WEIGHT: | SIZE: A4 | CAGE CODE: U5792 |
| | CUSTOMER DRAWING | DRAWING NO: Ⓒ-P43735 | RESTRICTED TO: |
| | | SCALE: 1,5:1 | SHEET: 5 OF 6 |
| | | REV: AC | |

REVISIONS - SEE SHEET 1

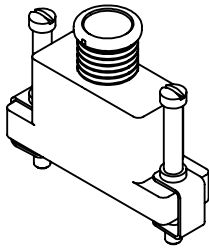
HARDWARE OPTIONS



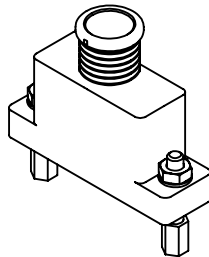
HARDWARE OPTION CODE: S
 SLOTTED HEAD JACKSCREW RETAINED WITH 'OVER-END' CLIP
 MATERIAL: STAINLESS STEEL, PASSIVATE FINISH
 NOT RECOMMENDED FOR USE WITH ENTRY POSITIONS F AND E



HARDWARE OPTION CODE: H
 HEX DRIVE SOCKET HEAD JACKSCREW RETAINED WITH 'OVER-END' CLIP
 MATERIAL: STAINLESS STEEL, PASSIVATE FINISH



HARDWARE OPTION CODE: E
 EXTENDED SLOTTED HEAD JACKSCREW RETAINED WITH 'OVER-END' CLIP
 MATERIAL: STAINLESS STEEL, PASSIVATE FINISH
 NOT AVAILABLE FOR ENTRY POSITIONS E AND F



HARDWARE OPTION CODE: F
 FEMALE THREAD JACKPOST
 MATERIAL: STAINLESS STEEL, PASSIVATE FINISH


HARDWARE OPTION CODE: 0 (ZERO)
 BACKSHELL SUPPLIED WITHOUT HARDWARE
 TO BE USED WITH ALL THIN FLANGE BACKSHELL OPTIONS

RELEASED FOR PUBLICATION

ALL RIGHTS RESERVED.

THIS DRAWING IS UNPUBLISHED.

© COPYRIGHT 20 BY

| | | | | | | | | |
|--|-------------------|------------|--|-----------|---------------------------|---------------|-----|----|
| DIMENSIONS: MILLIMETERS | DWN: D. WRIGLEY | 05/08/2019 | MATERIAL: | FINISH: | | | | |
| | CHK: R. STYLES | 13/08/2019 |  TE Connectivity | | | | | |
| TOLERANCES UNLESS OTHERWISE SPECIFIED: GENERAL TOL LINEAR $\pm 0,25\text{MM}$ ANGULAR $\pm 1^\circ$ | APVD: M. PAUL | 05/08/2019 | | | PART NUMBER: MBMMD SERIES | | | |
| | PRODUCT SPEC: | - | NAME: MICRO BAND TERMINATION MICRO MINIATURE BACKSHELL | | | | | |
| | APPLICATION SPEC: | - | SIZE | CAGE CODE | DRAWING NO | RESTRICTED TO | | |
| | WEIGHT: | | A4 | U5792 | C=P43735 | | | |
| CUSTOMER DRAWING | | | SCALE | 1:1 | SHEET | 6 OF 6 | REV | AC |

