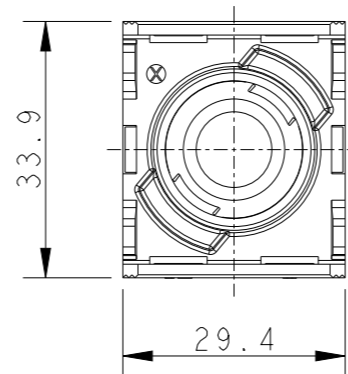
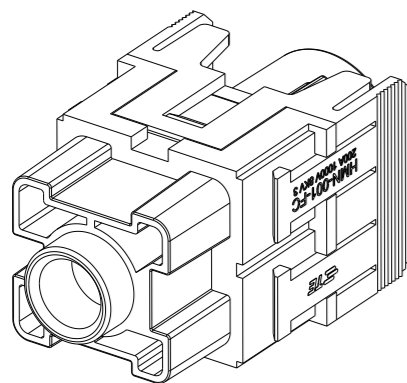


REVISIONS

P	LTR	DESCRIPTION	DATE	DWN	APVD
	A	INITIAL	18MAR2015	DW	CW
	B	ECR-15-018270	07DEC2015	DW	CW
	B1	ECR-18-000057	03JAN2018	YC	CW
	C	ECR-21-111798	22SEP2021	WQR	CW

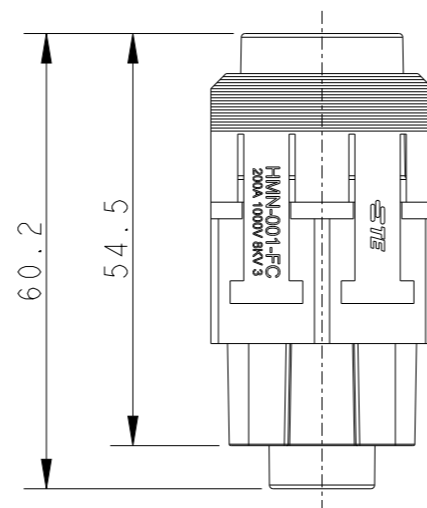
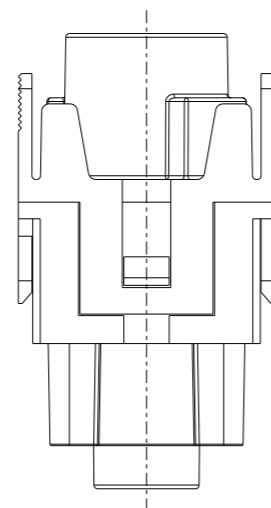
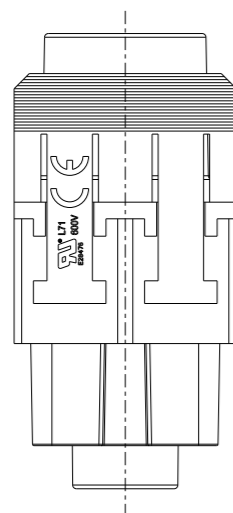


NOTES:

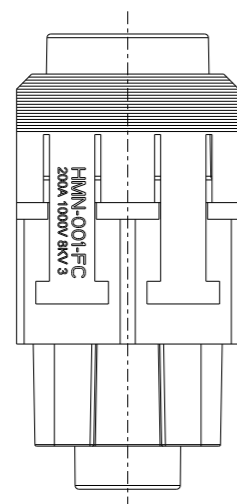
1. TECHNICAL CHARACTERISTICS:
 INSULATION MATERIAL: PC
 RATED VOLTAGE: 1000V
 RATED CURRENT: 200A
 INSULATION RESISTANCE: $\geq 400M\Omega$
 RATED IMPULSE VOLTAGE: 8KV
 POLLUTION DEGREE: 3
 CONTACT RESISTANCE: $\leq 0.5m\Omega$
 FLAMMABILITY: UL94V-0
 MATING CYCLES: 500 CYCLES
 WIRE RANGE: $25mm^2 \sim 70mm^2$
 CONTACT TYPE: CRIMP TYPE.

注释:

1. 技术参数:
 绝缘材料: PC
 额定电压: 1000V
 额定电流: 200A
 绝缘电阻: $\geq 400M\Omega$
 脉冲电压: 8KV
 污染等级: 3
 接触电阻: $\leq 0.5m\Omega$
 阻燃等级: UL94V-0
 插拔次数: 500次
 接线范围: $20mm^2 \sim 70mm^2$
 接线类型: 压接



T2111013201-000 AS SHOWN,
 WITH TE LOGO AND UL MARK.
 T2111013201-000 如图所示,
 带 TE LOGO 和 UL 认证标志.



T2111013201-001 AS SHOWN, ALL DIMENSIONS ARE
 SAME AS T2111013201-000, EXCEPT NO TE
 LOGO, NO UL MARK.
 T2111013201-001 如图所示, 除了不带 TE LOGO 和 UL
 认证标志外, 其余所有尺寸同料号 T2111013201-000 一致.

T2111013201-001	HMN-001-FC	HMN-001 FEMALE MODULE INSERT, CRIMP, NO LOGO HMN-001 冷压模块母插, 无LOGO
T2111013201-000	HMN-001-FC	HMN-001 FEMALE MODULE INSERT, CRIMP HMN-001 冷压模块母插
PART NUMBER 料号	PART DESCRIPTION 描述	

THIS DRAWING IS A CONTROLLED DOCUMENT.		DWN 18MAR2015 DAVID WANG		
DIMENSIONS: mm		CHK 18MAR2015 CHRIS WANG		
TOLERANCES UNLESS OTHERWISE SPECIFIED:		APVD 18MAR2015 XIANG XU		
0 PLC ±- 1 PLC ±- 2 PLC ±- 3 PLC ±- 4 PLC ±- ANGLES ±-		PRODUCT SPEC 108-137057		
MATERIAL	FINISH	APPLICATION SPEC 114-137057	NAME HMN-001-FC	RESTRICTED TO
-	-	WEIGHT -	SIZE A3	CAGE CODE 00779
CUSTOMER DRAWING			DRAWING NO T2111013201000	SCALE 1:1
			SHEET 1	REV C