

4

3

2

1

THIS DRAWING IS UNPUBLISHED.

RELEASED FOR PUBLICATION

20

© COPYRIGHT 20 BY -

ALL RIGHTS RESERVED.

REVISIONS

P	LTR	DESCRIPTION	DATE	DWN	APVD
	B	ECR-15-018270	09DEC2015	DW	CW
	B1	ECR-18-018657	29NOV2018	CD	CW
	C	ECR-19-006822	21MAY2019	BS	CW
	D	ECR-21-111798	23SEP2021	WQR	CW

TYPE I
类型 I

NOTES:

- TECHNICAL CHARACTERISTICS:
INSULATION MATERIAL: PC
RATED VOLTAGE: 690V
RATED CURRENT: 40A
INSULATION RESISTANCE: $\geq 400M\Omega$
RATED IMPULSE VOLTAGE: 8KV
POLLUTION DEGREE: 3
FLAMMABILITY: UL94V-0
MATING CYCLES: 500 CYCLES
OPERATION TEMPERATURE: $-40\sim+125^{\circ}C$
WIRE RANGE: 1~6 mm² (18~10 AWG)
CONTACT TYPE: CRIMP CONTACT
- CONTACT NEED TO BE ORDERED SEPARATELY.
(ORDER No. REFER TO DRAWING: T20400X20XX000)

注释:

- 技术参数:
绝缘材料: PC
额定电压: 690V
额定电流: 40A
绝缘电阻: $\geq 400M\Omega$
额定脉冲电压: 8KV
污染等级: 3
阻燃等级: UL94V-0
插拔次数: 500次
工作温度: $-40\sim+125^{\circ}C$
接线范围: 1~6 mm² (18~10 AWG)
接线类型: 冷压接
- 端子需要单独订购.
(订货号参考图面: T20400X20XX000)

THIS DRAWING IS A CONTROLLED DOCUMENT.

DIMENSIONS:
mm

TOLERANCES UNLESS OTHERWISE SPECIFIED:

0 PLC	±-
1 PLC	±-
2 PLC	±-
3 PLC	±-
4 PLC	±-
ANGLES	±-

MATERIAL

FINISH

-	-
-	-

DWN 16APR2015

David Wang

CHK 16APR2015

Chris Wang

APVD 16APR2015

Xiang Xu

PRODUCT SPEC

108-137118

APPLICATION SPEC

114-137118

WEIGHT

-

Customer Drawing

NAME
HMN-003-F

SIZE	CAGE CODE	DRAWING NO	RESTRICTED TO
A3	00779	©-T2111032201000	-

SCALE	1:1	SHEET	1 OF 2	REV	D
-------	-----	-------	--------	-----	---

1470-19 (3/13)

THIS DRAWING IS UNPUBLISHED.

RELEASED FOR PUBLICATION

20

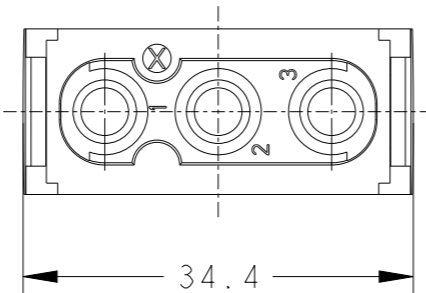
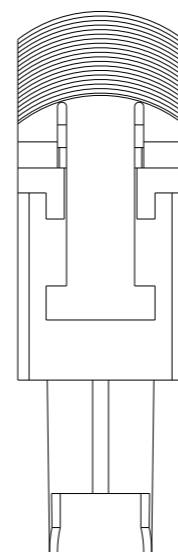
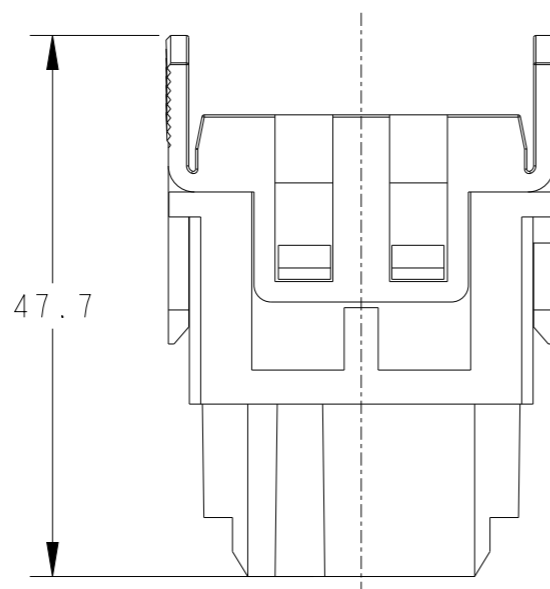
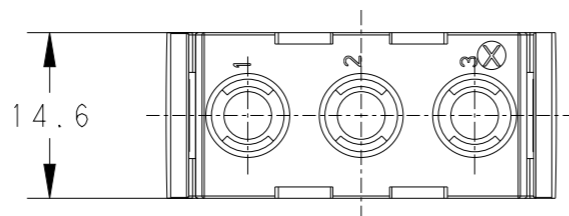
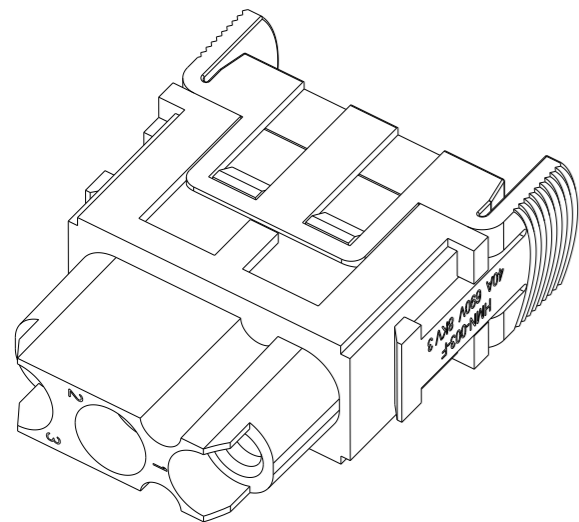
© COPYRIGHT 20 BY -

ALL RIGHTS RESERVED.

REVISIONS

P	LTR	DESCRIPTION	DATE	DWN	APVD
-	-	SEE SHEET 1	-	-	-

TYPE 2:NO LOGO
类型2:无LOGO



NOTES:
SEE SHEET 1
备注:
见 SHEET 1

NO LOGO
无LOGO

T2111032201-002	HMN-003-F	HMN-003 FEMALE MODULE INSERT,NO LOGO HMN-003 模块母插,无LOGO	TYPE2 类型2
T2111032201-000	HMN-003-F	HMN-003 FEMALE MODULE INSERT HMN-003 模块母插	TYPE1 类型1
PART NUMBER 料号	PART DESCRIPTION 描述		TYPE 类型

THIS DRAWING IS A CONTROLLED DOCUMENT.

DIMENSIONS: mm	TOLERANCES UNLESS OTHERWISE SPECIFIED:
	0 PLC ±-
	1 PLC ±-
	2 PLC ±-
	3 PLC ±-
	4 PLC ±-
	ANGLES ±-
MATERIAL	FINISH
-	-
-	-

DWN	16APR2015
David Wang	
CHK	16APR2015
Chris.Wang	
APVD	16APR2015
Xiang.Xu	
PRODUCT SPEC	108-137118
APPLICATION SPEC	114-137118
WEIGHT	-
Customer Drawing	

NAME HMN-003-F			
SIZE	CAGE CODE	DRAWING NO	RESTRICTED TO
A3	00779	©-T2111032201000	-
SCALE		SHEET	REV
3:2		2 OF 2	D