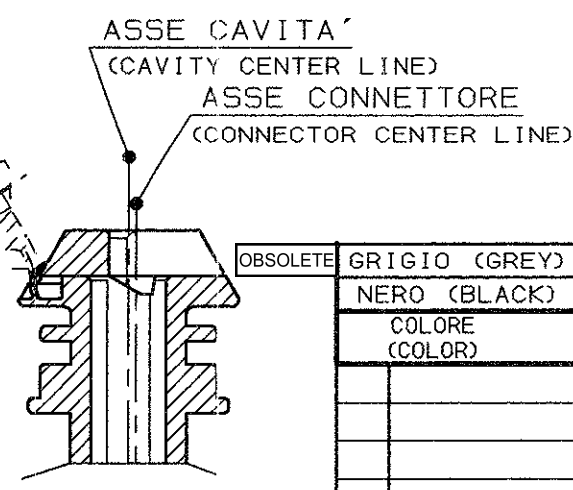
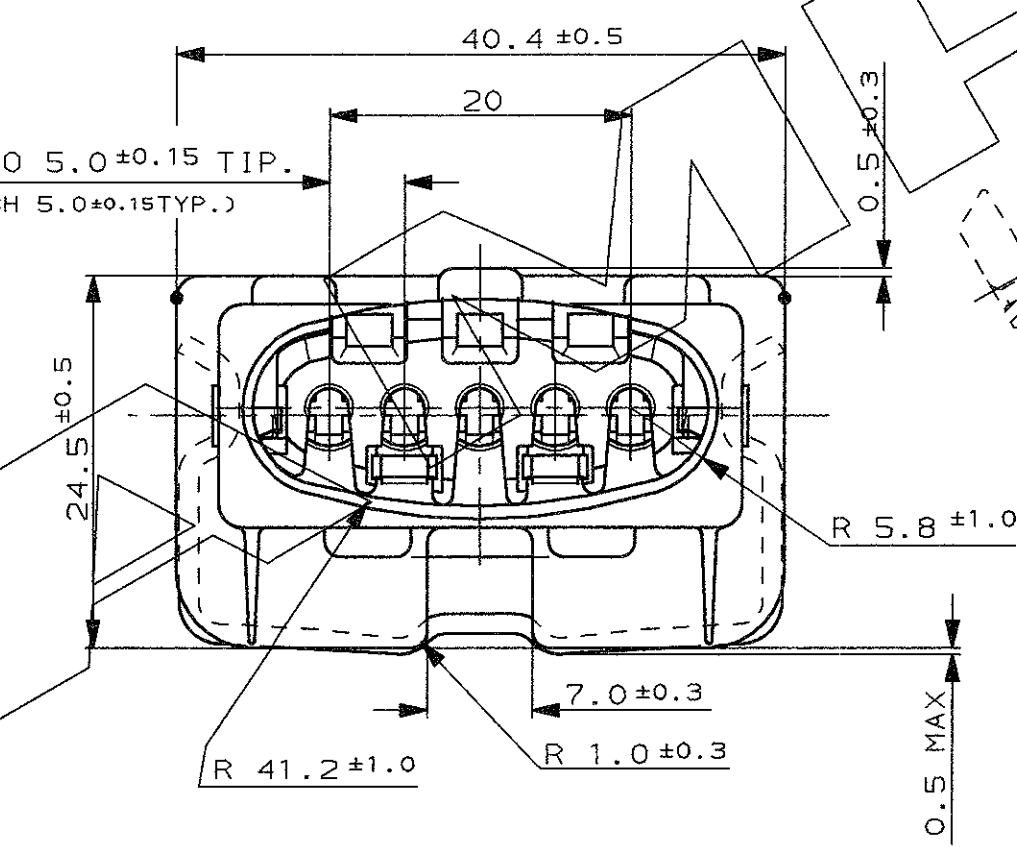
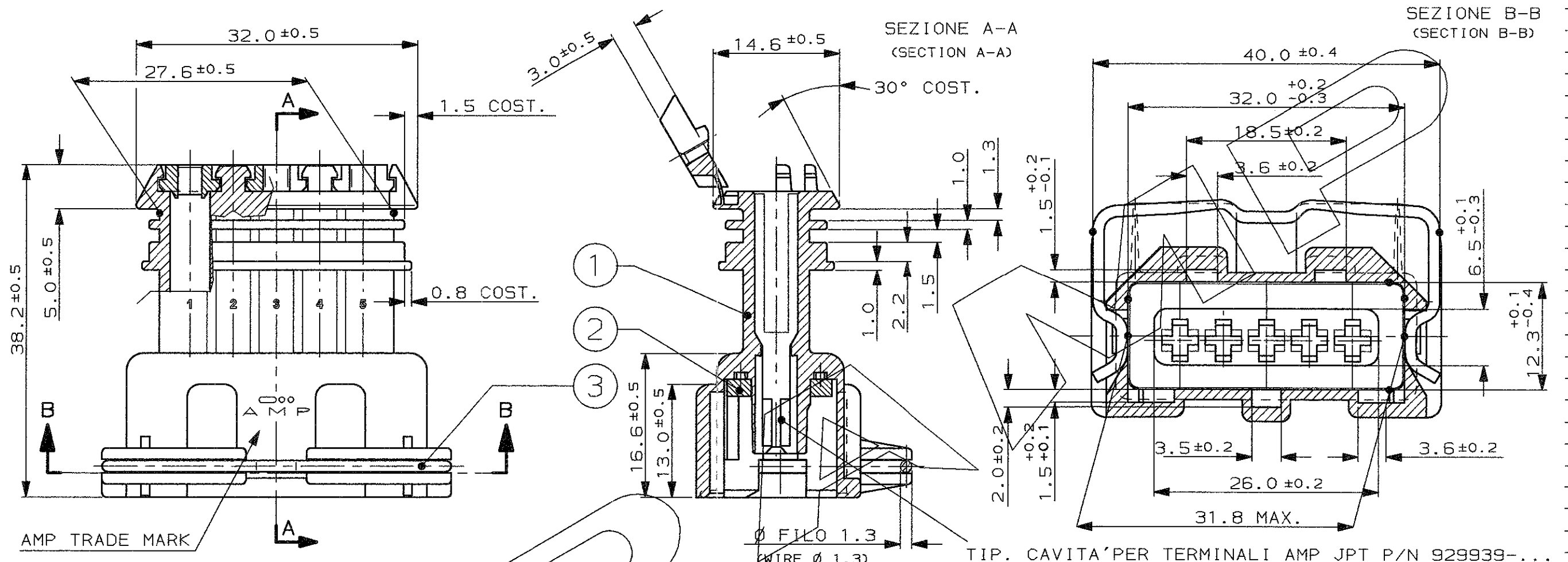


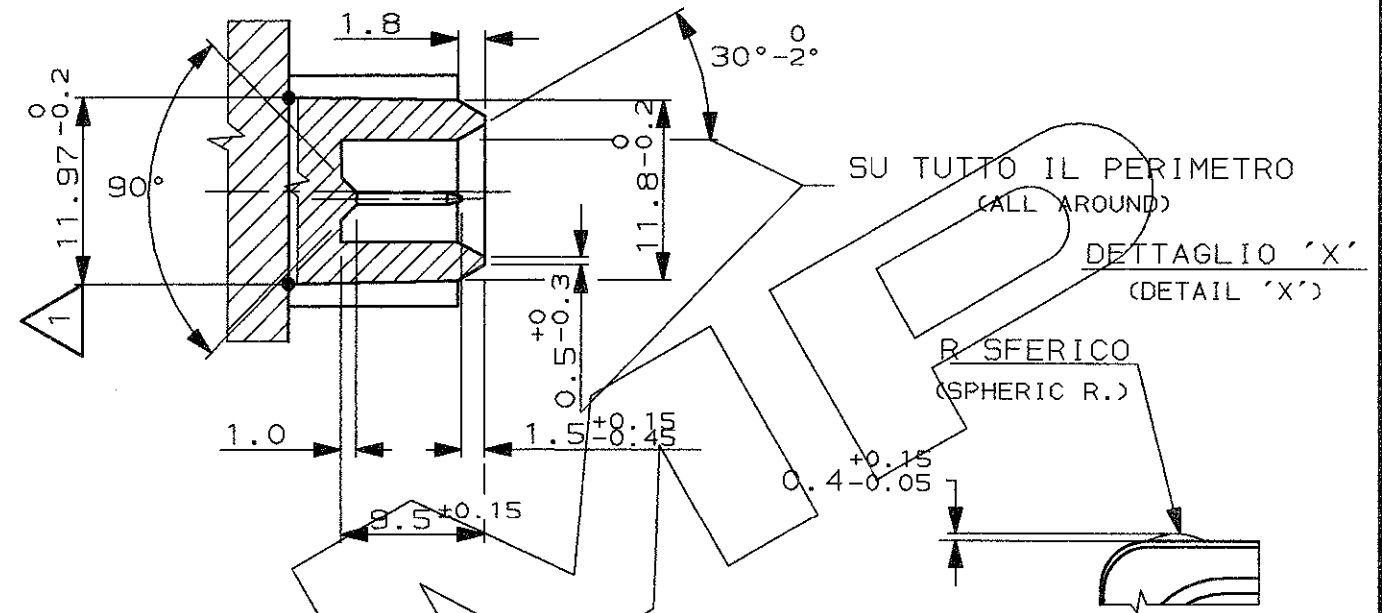
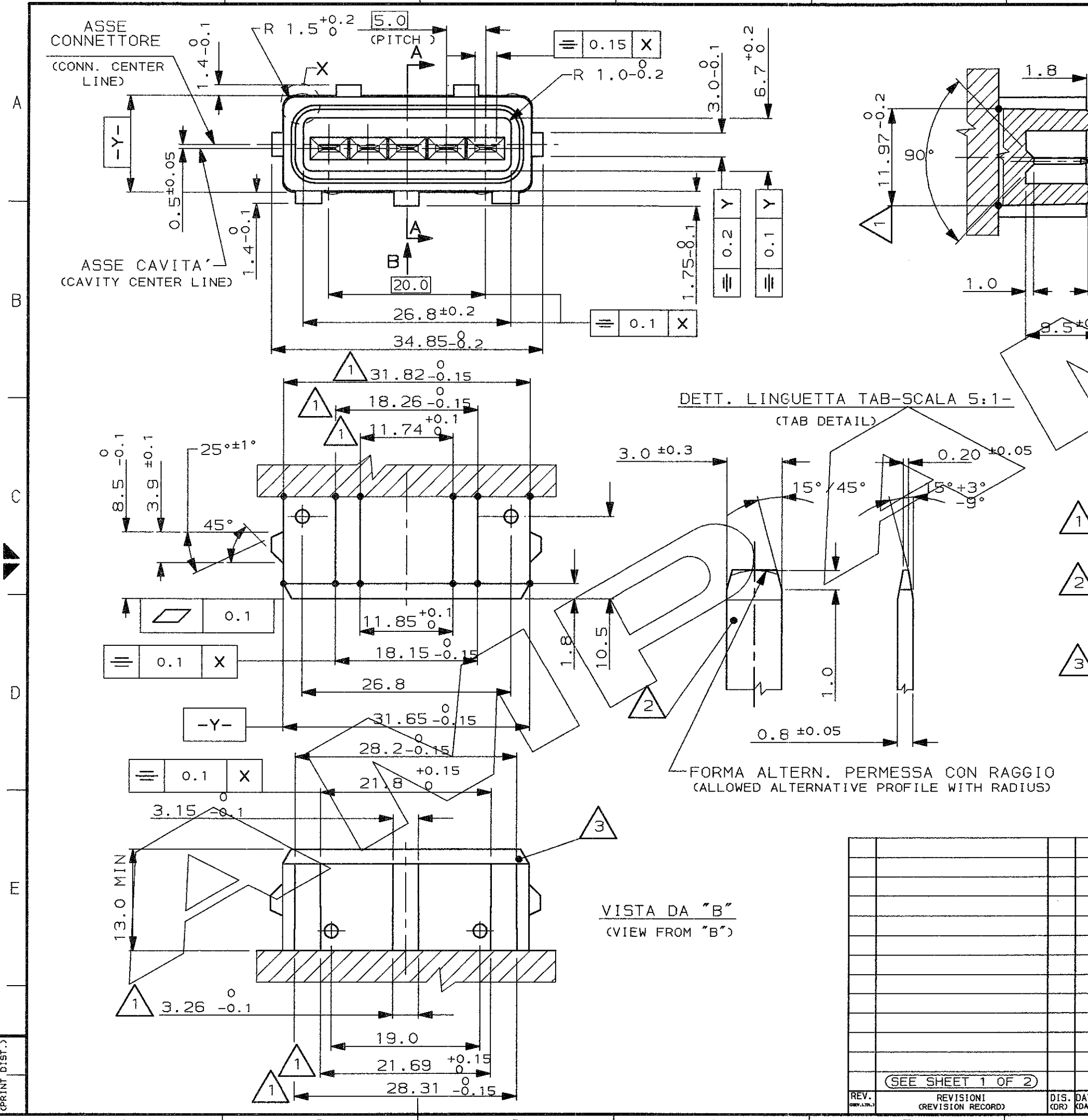
CONNETTORE TIPO A (CON MOLLA DI RITEGNO ESTERNA)
CONNECTOR TYPE B (WITH INTERNAL SPRING)



TIP. CAVITA' PER TERMINALI AMP JPT P/N 929939-...
OPPURE 929937-... E RELATIVI GOMMINI
AMP P/N 828904-1, 828905-1, 282536-1.
TAPPO CAVITA' P/N 828906-2
(TYP. CAV. FOR JPT CONT. P/N 929939-... A/O 929937-... AND REL.
SINGLE WIRE SEAL P/N 828904-1, 828905-1, 282536-1
CAVITY PLUG P/N 828906-2)

3	//////	ACCIAIO INOX (STAINLESS STEEL)	MOLLA (SPRING)
2	NATURALE (NATURAL)	GOMMA SILICONE (SILICONE RUBBER)	GUARNIZIONE (SEALING)
1	//////	PA 6.6	BLOCCHETTO (HOUSING)
	COLORE (COLOR)	NUMERO (PART. N°)	REV. ASSY
	GRIGIO (GREY)	282766-2	E
	NERO (BLACK)	282766-1	
CUSTOMER DWG. FOR REFERENCE ONLY		DISEGNO PER CLIENTE SOLO PER RIFERIMENTO	
THIS DRAWING IS UNPUBLISHED		RELEASE FOR PUBLICATION	
© COPYRIGHT 19 BY AMP INCORPORATED, HARRISBURG, PA. ALL INTERNATIONAL RIGHT RESERVED. AMP PRODUCTS MAY BE COVERED BY U.S. AND FOREIGN PATENT AND/OR PATENT PENDING			
TOLLERANZE: SE NON DIVERSAMENTE SPECIFICATO (TOLERANCES: UNLESS OTHERWISE SPECIFIED)		DIAM. ISOLANTE (INS. DIA. RANGE) 1.5-3.0 (RED. INS. CABLE)	RANGO FILO (WIRE RANGE) 0.5-2.5 mm ²
± 0.3		SCALA (SCALE) ---	
ANGOLI (ANGLES) ± 2°		DESCRIZIONE (DESCRIPTION) 5 POS. SPLASH PROOF CONN. ASS'Y with SECONDARY LOCK	
E1	REVISIIONE (REVISION RECORD)	DIS. DATA (DR) (DATE)	LOC. SIZE NUMERO (DWG NO)
E	ECR-14-003472	24MAR 2014	I A3 C-282766
C	AGGIORNATO E IN PRODUZIONE ET00-0125-00	M.P.	REV. E1
B	AGGIORNATO E IN PRODUZIONE EC ET00-0075-96	A.B. 12-2 1996	FOLIO (SHEET) 1
A	PRIMA EMISSIONE CON ECN ET00-0217-95	A.B. 15-9 1995	DI (OF) 2

DISTRIBUZIONE (PRINT DIST.)



- 1 QUOTE APPLICABILI PER SFORMATURA PEZZO (DRAFT PERMITTED TO FACILITATE REMOVAL OF PART FROM THE MOULD)
- 2 MATERIALE LINGUETTE: LEGA DI RAME STAGNATA, ES. OTTONE STAGNATO. (TAB CONTACT MATERIAL: TIN PLATED COPPER ALLOY. E.G. BRASS TIN PLATED)
- 3 MATERIALE BLOCCHETTO: TERMOPLASTICO CARICATO FIBRA VETRO. (HOUSING MATERIAL: THERMOPLASTIC, GLASS FIBER FILLED)

FORMA ALTERN. PERMESSA CON RAGGIO (ALLOWED ALTERNATIVE PROFILE WITH RADIUS)

FINITURA / COLORE (FINISH / COLOUR)		MATERIALE (MATERIAL)		NUMERO (PART NUMBER)	
CUSTOMER DWG. FOR REFERENCE ONLY		DISEGNO PER CLIENTE SOLO PER RIFERIMENTO		19	
THIS DRAWING IS UNPUBLISHED		RELEASE FOR PUBLICATION			
© COPYRIGHT 19 BY AMP INCORPORATED, HARRISBURG, PA. ALL INTERNATIONAL RIGHT RESERVED. AMP PRODUCTS MAY BE COVERED BY U.S. AND FOREIGN PATENT AND/OR PATENT PENDING					
TOLLERANZE: SE NON DIVERSAMENTE SPECIFICATO (TOLERANCES: UNLESS OTHERWISE SPECIFIED)		DIAM. ISOLANTE (INS. DIA. RANGE)		RANGO FILO (WIRE RANGE)	
± 0.3		SEE SHEET 1 OF 2		SEE SHEET 1 OF 2	
ANGOLI (ANGLES)		± 2°			
DIS. (DR.)		DESCRIZIONE (DESCRIPTION)			
CONT. (CHK)		5 POS. SPLASH PROOF CONN. ASS'Y with SECONDARY LOCK			
APP. (APP.)		LOC. SIZE NUMERO (DWG NO)		REV. FOGLIO (SHEET)	
SEE SHEET 1 OF 2		I A3 C-282766		E1 2 OF 2	
REV. (REV.)		REVISIONI (REVISION RECORD)		DIS. DATA (DR) (DATE)	

DISTRIBUZIONE (PRINT DIST.)