

THIS DRAWING IS UNPUBLISHED. RELEASED FOR PUBLICATION  
 © COPYRIGHT - By - ALL RIGHTS RESERVED.

REVISIONS				
P	LTR	DESCRIPTION	DATE	APVD
F3		ADD NEW PN ECO-19-001188	24-Jan-19	WQ.Y K.T
F4		ADD NEW PN ECO-19-017773	21-Nov-19	WQ.Y K.T

FIG A

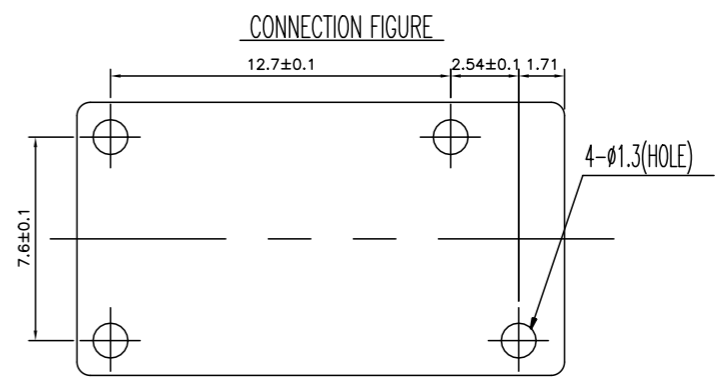
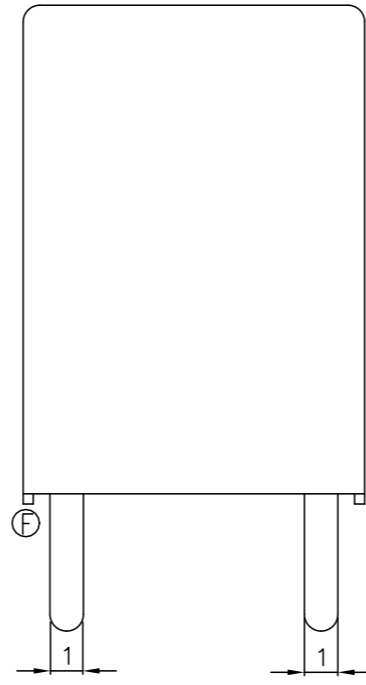
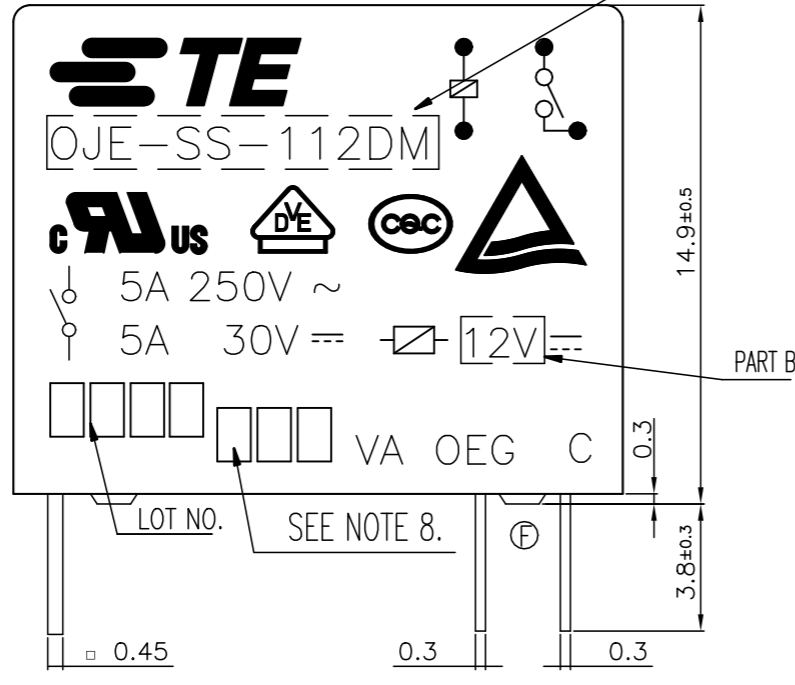
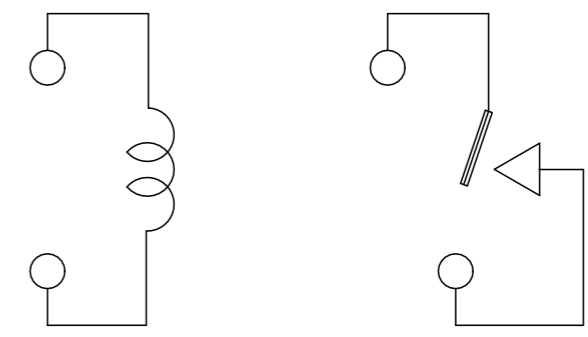


FIGURE FOR PRINTED CIRCUIT BOARD PROCESSING (BOTTOM VIEW)

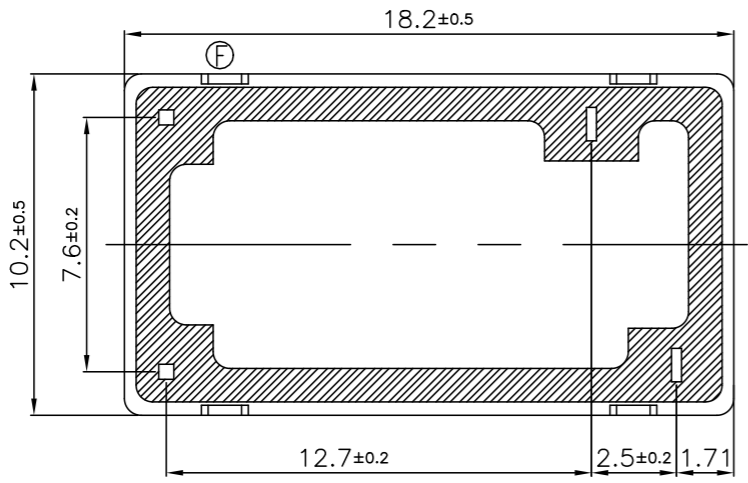


Diagram dimension	Tolerance
0.99mm max.	±0.1mm
1 - 2.99mm	±0.2mm
3mm min.	±0.3mm

THIS DRAWING IS A CONTROLLED DOCUMENT.		DWN Huang.Yunshou	TE Connectivity	
DIMENSIONS: mm		CHK Fu.Bo		
TOLERANCES UNLESS OTHERWISE SPECIFIED:		APVD Zhang.Sunny	NAME	
0 PLC ±-		PRODUCT SPEC	-	
1 PLC ±-		APPLICATION SPEC	-	
2 PLC ±-		WEIGHT	-	
3 PLC ±-		SIZE CAGE CODE DRAWING NO RESTRICTED TO		
4 PLC ±-		A3 00779 C=1649222 -		
ANGLES ±-		SCALE 5:1 SHEET 1 OF 3 REV F4		
FINISH		CUSTOMER DRAWING		

THIS DRAWING IS UNPUBLISHED. RELEASED FOR PUBLICATION  
 © COPYRIGHT - By - ALL RIGHTS RESERVED.

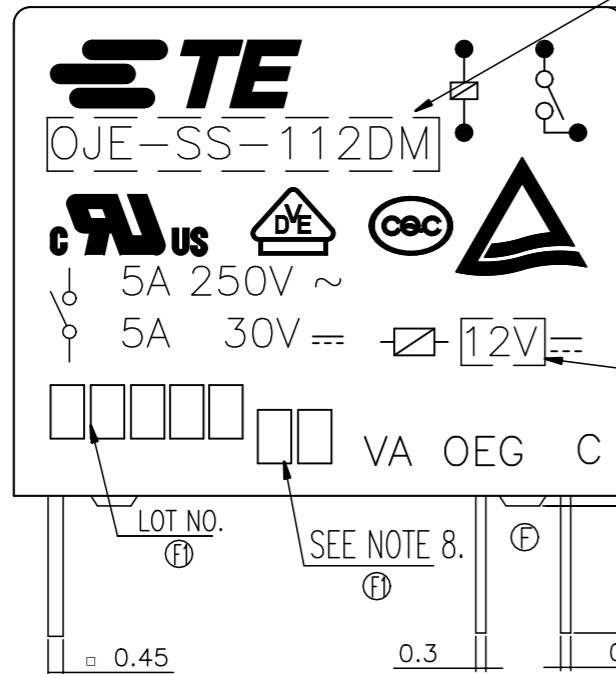
REVISIONS

P	LTR	DESCRIPTION	DATE	DWN	APVD
-	-	SEE SHEET 1	-	-	-

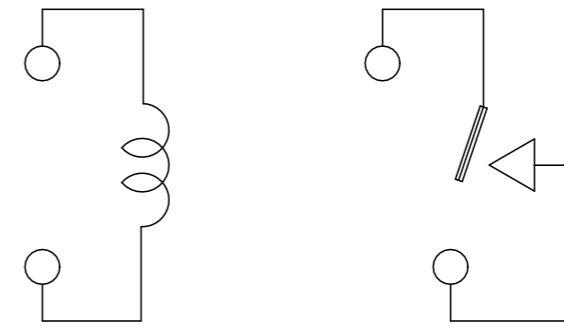
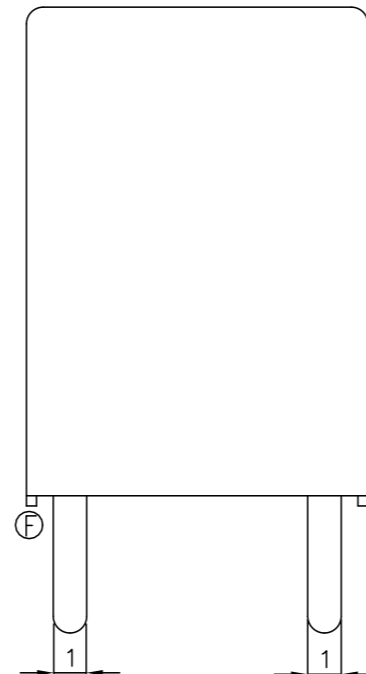
FIG B



PART A



PART B



CONNECTION FIGURE

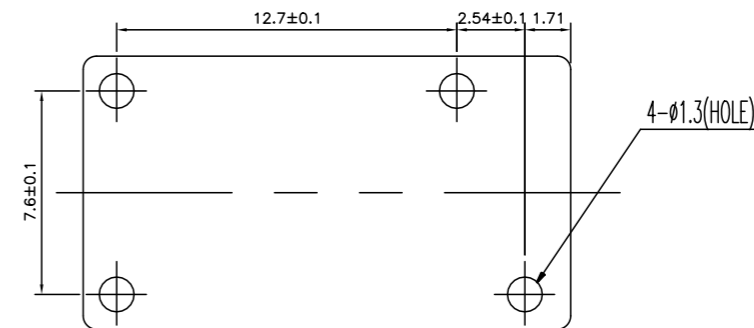
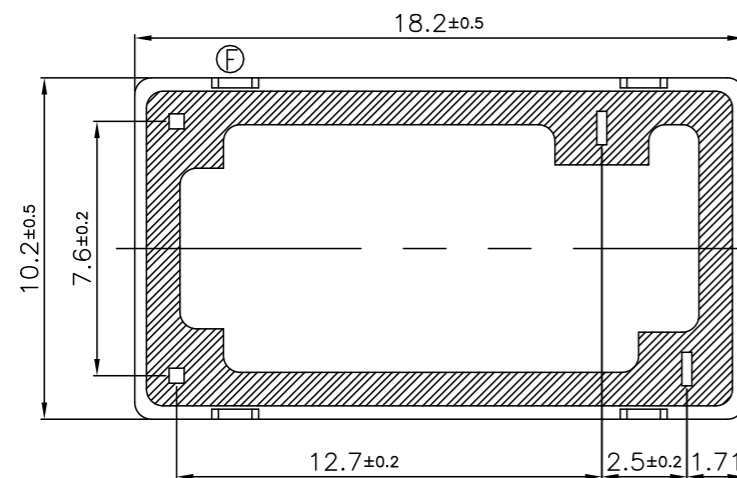


FIGURE FOR PRINTED CIRCUIT BOARD PROCESSING (BOTTOM VIEW)

Diagram dimension	Tolerance
0.99mm max.	±0.1mm
1 - 2.99mm	±0.2mm
3mm min.	±0.3mm

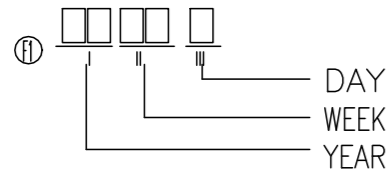


THIS DRAWING IS A CONTROLLED DOCUMENT.		DWN Huang.Yunshou	TE Connectivity	
DIMENSIONS: mm		CHK Fu.Bo		
TOLERANCES UNLESS OTHERWISE SPECIFIED:		APVD Zhang.Sunny	NAME -	
0 PLC ±- 1 PLC ±- 2 PLC ±- 3 PLC ±- 4 PLC ±- ANGLES ±-		PRODUCT SPEC -	OJE-DM VA TYPE CUSTOMER DRAWING	
MATERIAL -		FINISH -	APPLICATION SPEC -	RESTRICTED TO -
		WEIGHT -	SIZE A3	CAGE CODE 00779
		CUSTOMER DRAWING	DRAWING NO C=1649222	SCALE 5:1
			SHEET 2 OF 3	REV F4

REVISIONS					
P	LTR	DESCRIPTION	DATE	DWN	APVD
-	-	SEE SHEET 1	-	-	-

FIG B

- PART "B" SHOULD FIT PART "A" AFTER CASE INSERTION PROCESS.
- NO SEALING MATERIAL DROP OUT BEYOND LINE "C"
- SEALING MATERIAL TO BE DROPPED IN HATCHED AREA AS SHOWN.
- LOT NO. SYSTEM AS FOLLOWING:



- III, DIGITS FOR DAY OF THE WEEK  
 1...MONDAY IN THIS WEEK;  
 2...TUESDAY IN THIS WEEK;  
 .....  
 7...SUNDAY IN THIS WEEK

- TERMINAL DIMENSIONS BEFORE SOLDER DIP.
- FOR THE TIN-PLATING OF THE PINS: +0.1mm FOR WIDTH. THICKNESS AND DIAMETER +0.5mm FOR LENGTH.
- USED WELDED CONTACT & LASER MARKING.
- ADD LOT NO. SYSTEM AS FOLLOWING;

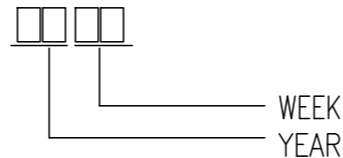


- I, DIGITS FOR SHIFT OF THE DAY  
 1...DAY SHIFT IN THIS DAY;  
 2...NIGHT SHIFT IN THIS DAY;  
 II, ONE CHARACTER DISTINGUISH THE LINE IDENTITY, SUCH AS: A,B.....Z

F4	A	1-1649222-2	OJE-SH-112DM	12V	OJE-SH-112DM	I	
F3	B	1-1649222-1	OJE-SS-112DM	12V	OJE-SS-112DM	k	
F3		1-1649222-0	OJE-SS-112DM	12V	OJE-SS-112DM	j	
F3	B	1649222-9	OJE-SS-112DM	12V	OJE-SS-112DM	i	
F2		A	1649222-8	OJE-SH-112DM	12V	OJE-SH-112DM,00B00	h
F2	B	1649222-7	OJE-SS-112DM	12V	OJE-SS-112DM,00000W	g	
F		B	1649222-6	OJE-SS-112DM	12V	OJE-SS-112DM,0A000	f
E	A	1649222-5	OJE-SS-112DM	12V	OJE-SS-112DM,000G0	e	
		A	1649222-4	OJE-SH-112DM	12V	OJE-SH-112DM,801	d
		A	1649222-3	OJE-SS-124DM	24V	OJE-SS-124DM,801	c
	A	1649222-2	OJE-SS-112DM	12V	OJE-SS-112DM,801P	b	
F1	B	1649222-1	OJE-SS-112DM	12V	OJE-SS-112DM,801	a	
	FIG	TE PART NO	PART A	PART B	DESCRIPTION	TYPE	

FIG A

- PART "B" SHOULD FIT PART "A" AFTER CASE INSERTION PROCESS.
- NO SEALING MATERIAL DROP OUT BEYOND LINE "C"
- SEALING MATERIAL TO BE DROPPED IN HATCHED AREA AS SHOWN.
- LOT NO. SYSTEM AS FOLLOWING:



- TERMINAL DIMENSIONS BEFORE SOLDER DIP.
- FOR THE TIN-PLATING OF THE PINS: +0.1mm FOR WIDTH. THICKNESS AND DIAMETER +0.5mm FOR LENGTH.
- USED WELDED CONTACT & LASER MARKING.
- ADD LOT NO. SYSTEM AS FOLLOWING;



- I, DIGITS FOR DAY OF THE WEEK  
 1...MONDAY IN THIS WEEK;  
 2...TUESDAY IN THIS WEEK;  
 .....  
 7...SUNDAY IN THIS WEEK  
 II, DIGITS FOR SHIFT OF THE DAY  
 1...DAY SHIFT IN THIS DAY;  
 2...NIGHT SHIFT IN THIS DAY;  
 III, ONE CHARACTER DISTINGUISH THE LINE IDENTITY, SUCH AS: A,B.....Z

MATERIAL	DESCRIPTION	ITEM
EPOXY RESIN	SEAL (BASE & BOBBIN)	15
3UEW	MAGNETIC WIRE	14
P.B.T	CASE	13
P.B.T	BASE	12
P.B.T	BOBBIN	11
C.P WIRE	COIL TERMINAL	10
P.P.S	CARD	9
Ag	MOVABLE CONTACT	8
Ag	NO.CONTACT	7
STEEL	HINGE SPRING	6
Cu ALLOY	NO.TERMINAL	5
Cu ALLOY	MOVABLE SPRING	4
STEEL	CORE	3
STEEL	ARMATURE	2
STEEL	YOKE	1

THIS DRAWING IS A CONTROLLED DOCUMENT.		DWN Huang.Yunshou	TE Connectivity	
		CHK Fu.Bo		
DIMENSIONS: mm		APVD Zhang,Sunny	NAME	
		PRODUCT SPEC		OJE-DM VA TYPE CUSTOMER DRAWING
TOLERANCES UNLESS OTHERWISE SPECIFIED:		APPLICATION SPEC		
0 PLC ± - 1 PLC ± - 2 PLC ± - 3 PLC ± - 4 PLC ± - ANGLES ± -		SIZE		RESTRICTED TO
MATERIAL		CAGE CODE		
FINISH		DRAWING NO		SCALE 5:1 SHEET 3 OF 3 REV F4
		WEIGHT 0		
		A3 00779 C=1649222		
		CUSTOMER DRAWING		