

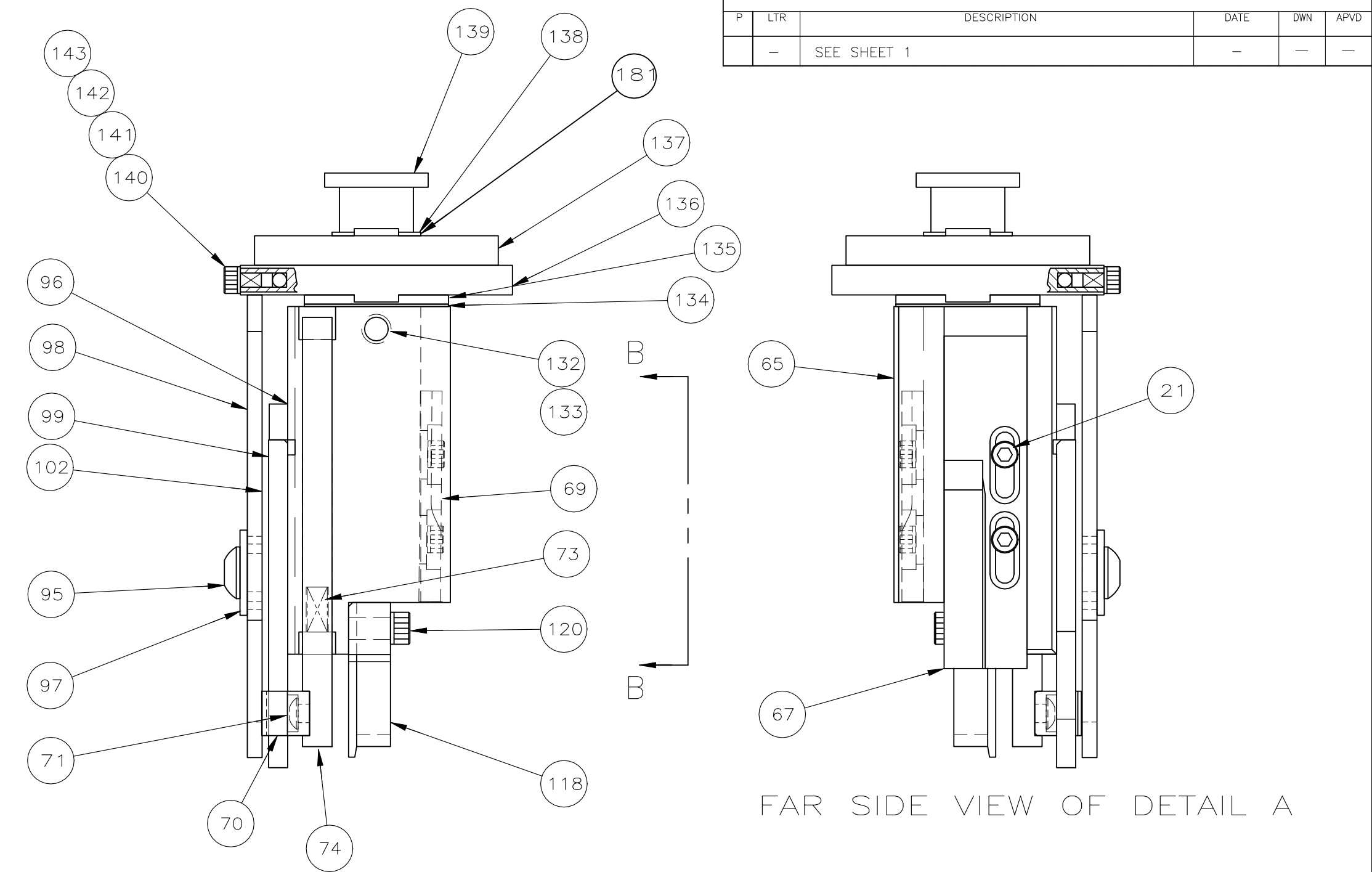
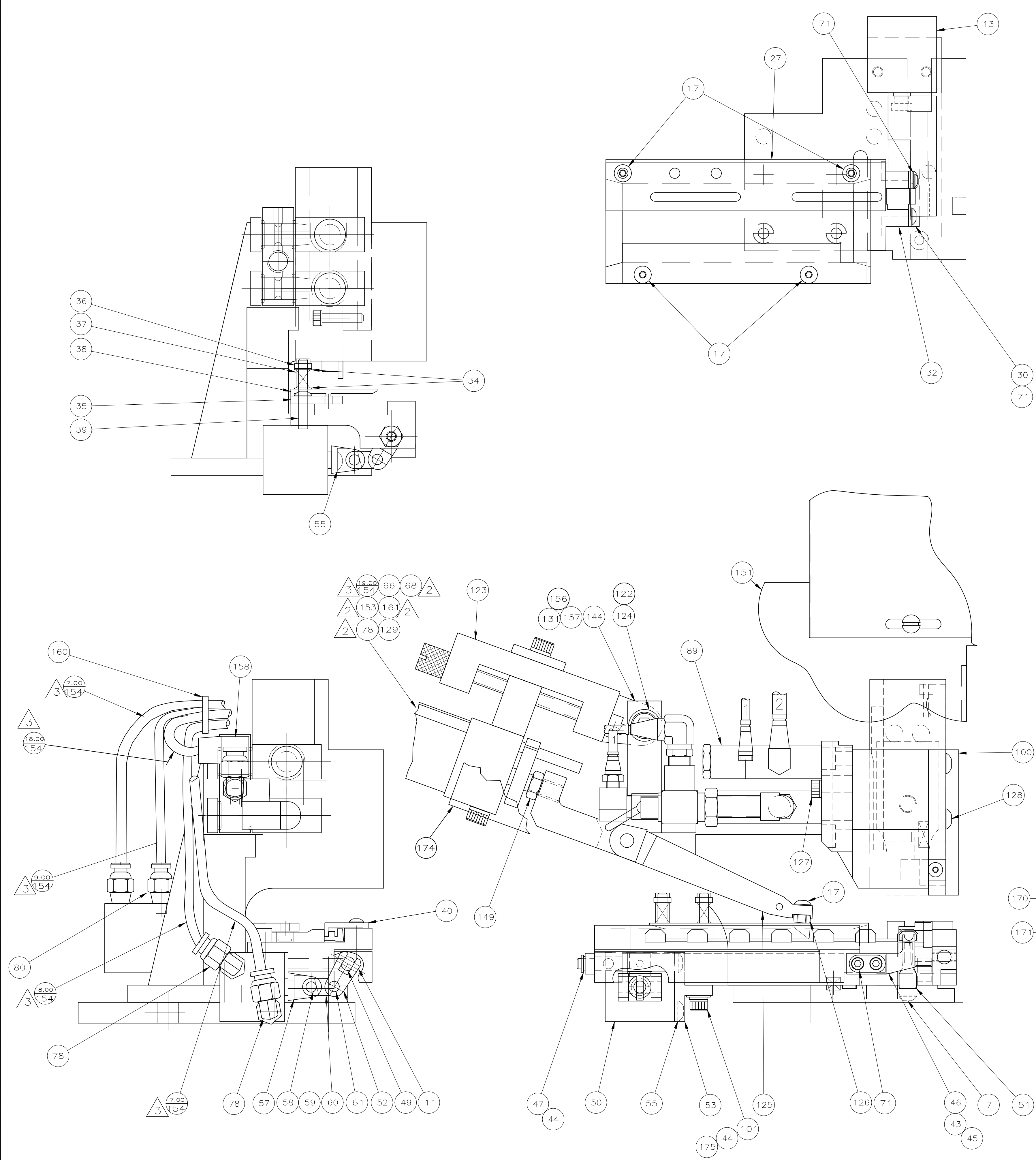
REVISIONS				
P	LTR	DESCRIPTION	DATE	APPV
-	-	SEE SHEET 1	-	-

DIMENSIONING AND TOLERANCING PER ASME Y14.5M (ISO STANDARDS)

C

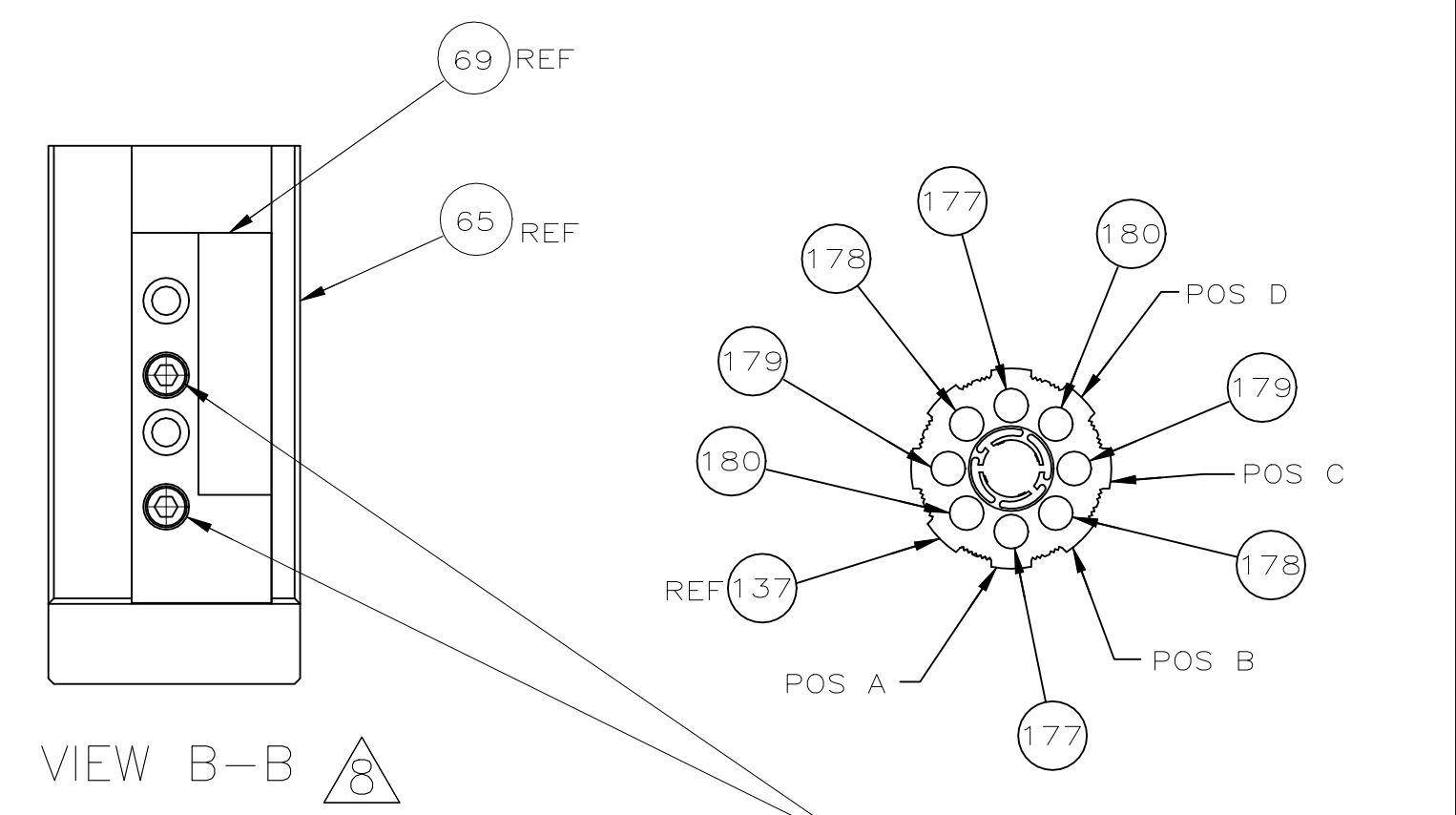
B

A



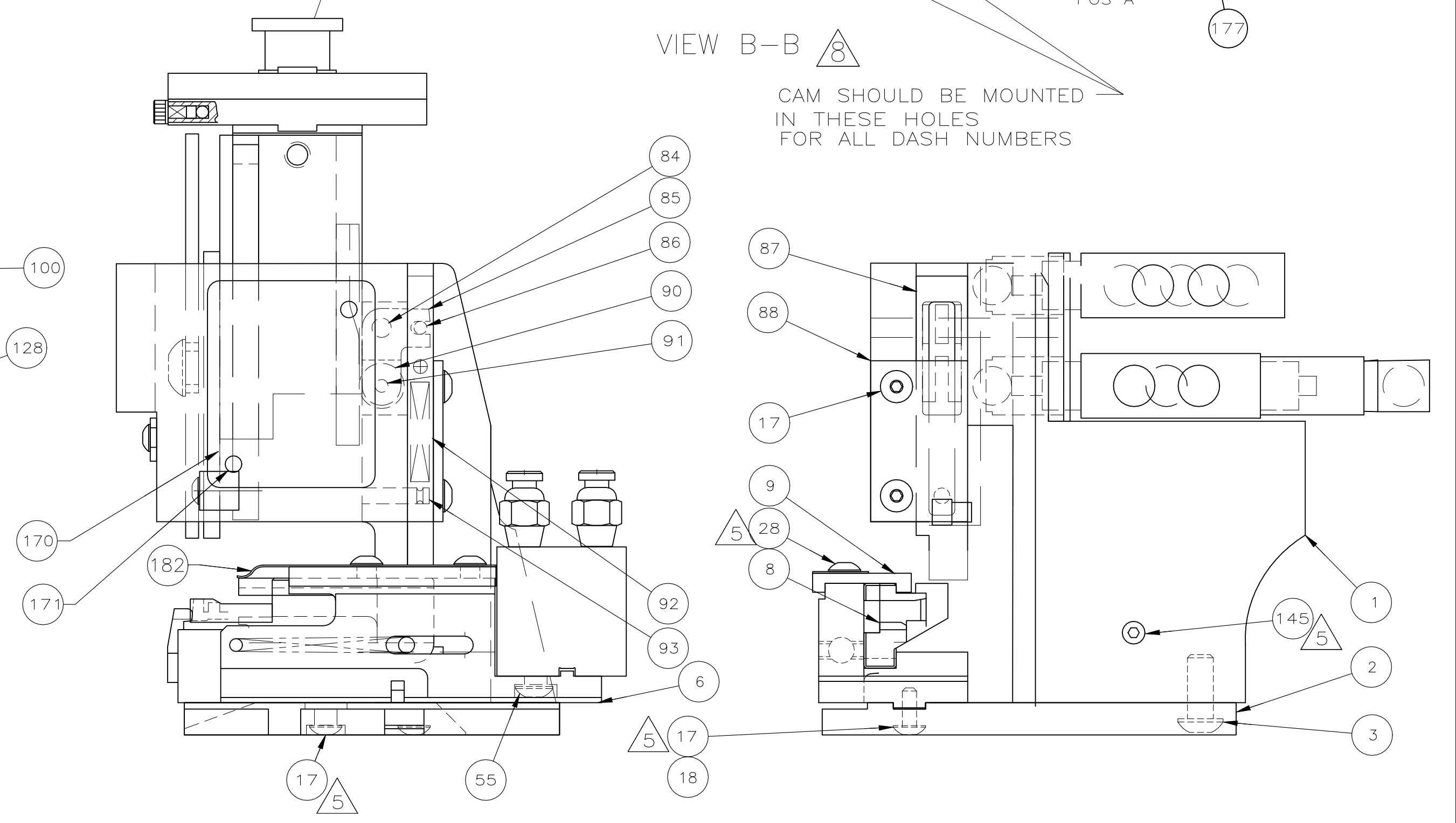
DETAIL A

FAR SIDE VIEW OF DETAIL A



VIEW B-B

CAM SHOULD BE MOUNTED IN THESE HOLES FOR ALL DASH NUMBERS



THIS DRAWING IS A CONTROLLED DOCUMENT.		DIN M. YOUNGER 06APR2011	 TE Connectivity Ltd.
DIMENSIONS: INCHES		CHK G. BAILEY 06APR2011	
TOLERANCES UNLESS OTHERWISE SPECIFIED:		APPV G. BAILEY 06APR2011	NAME
0. PLC	± .005	ULTRA-POD APPLICATOR .250 STRAIGHT	
1. PLC	± .002	-	
2. PLC	± .001	-	
3. PLC	± .0005	APPLICATION SPEC	
4. PLC	± .0002	-	
ANGLES	± .0001	-	
MATERIAL	FINISH	SIZE	CAGE CODE
-	-	A1	00779
WEIGHT		DRAWING NO	RESTRICTED TO
-		C=1852889	-
CUSTOMER ACCESSIBLE		PRODUCTION DRAWING	SCALE
-		1:1	SHEET 2 OF 2
-		REV	B1