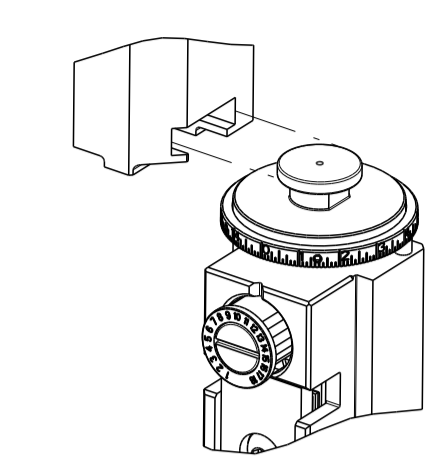


PART NUMBER	REVISION	DESCRIPTION	FEED TYPE
2151314-1	F	FINE CRIMP HEIGHT ADJUST	MECHANICAL
2151314-2	F	FINE CRIMP HEIGHT ADJUST	PNEUMATIC
7-2151314-1	G	MECHANICAL AND CRIMP TOOLING KIT	MECHANICAL
7-2151314-2	G	PNEUMATIC AND CRIMP TOOLING KIT	PNEUMATIC
7-2151314-*	-	SEE CRIMP TOOLING KITS BELOW	-

ATLANTIC VERSION TERMINATOR INTERFACE ADAPTER

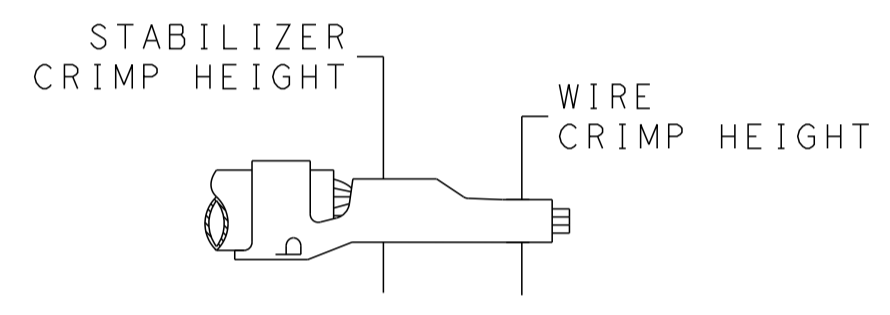


APPLICATOR DATA		
CRIMP	SIZE	TYPE
WIRE	2.79 mm [.110]	F
STABILIZER	2.79 mm [.110]	Ø
INSULATION	3.94 mm [.155]	F

APPLICATOR INSTRUCTIONS  
408-35042

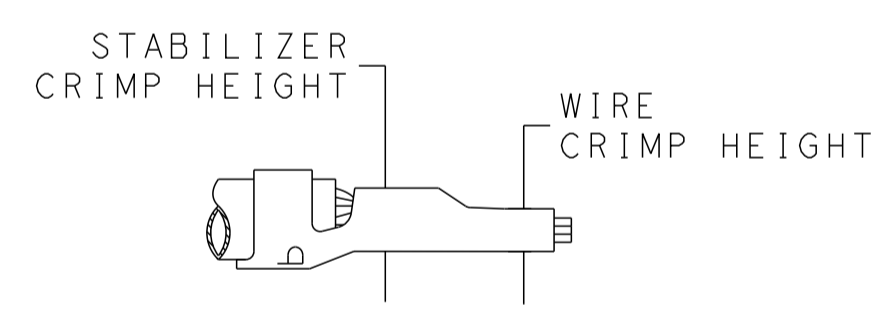
PART NO	REV	WIRE SIZE	WIRE CRIMPER	STABILIZER CRIMPER	INSULATION CRIMPER	ANVIL
7-2151314-7	C	12 AWG	7-456408-6	815664-2	6-2119582-7	1633923-5
7-2151314-8	C	14 AWG	2-456408-5	815664-6	6-2119582-7	1633923-5
7-2151314-9	F	18-16 AWG	2-456408-6	815664-6	6-2119582-7	1633923-5

TERMINAL DATA: TE TERMINAL		TE CRIMP SPECIFICATION	
TERMINAL NAME: AMP-IN			
WIRE STRIP LENGTH		INSULATION DIAMETER RANGE	
4.83-5.59 mm [.190-.220 IN]		Ø2.29-3.81 mm [.090-.150 IN]	
TERMINAL APPLICATION SPECIFICATION	114-1016		
TERMINALS APPLIED			
TE TERMINAL	TE TERMINAL	TE TERMINAL	TE TERMINAL
3-794013-1			

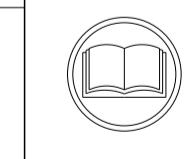


WIRE SIZE	WIRE CRIMP HEIGHT mm [INCH]	WIRE CRIMPER PART NUMBER	STABILIZER CRIMP HEIGHT mm [INCH]	STABILIZER CRIMPER PART NUMBER	CRIMP HEIGHT REFERENCE SETTING
12 AWG	2.16+/-0.05 [.085+/- .002]	7-456408-6	2.79+/-0.05 [.110+/- .002]	815664-2	9.1

TERMINAL DATA: TE TERMINAL		TE CRIMP SPECIFICATION	
TERMINAL NAME: AMP-IN			
WIRE STRIP LENGTH		INSULATION DIAMETER RANGE	
4.83-5.59 mm [.190-.220 IN]		Ø2.29-3.81 mm [.090-.150 IN]	
TERMINAL APPLICATION SPECIFICATION	114-1016		
TERMINALS APPLIED			
TE TERMINAL	TE TERMINAL	TE TERMINAL	TE TERMINAL
3-770060-1			



WIRE SIZE	WIRE CRIMP HEIGHT mm [INCH]	WIRE CRIMPER PART NUMBER	STABILIZER CRIMP HEIGHT mm [INCH]	STABILIZER CRIMPER PART NUMBER	CRIMP HEIGHT REFERENCE SETTING
14 AWG	1.40+/-0.05 [.055+/- .002]	2-456408-5	2.75+/-0.10 [.108+/- .004]	815664-6	7.6
18-16 AWG	1.09+/-0.05 [.043+/- .002]	2-456408-6	2.75+/-0.10 [.108+/- .004]	815664-6	7.6



- 1 RECOMMENDED SPARE PARTS
- 2 REFER TO SUPPLIED INSTRUCTION SHEET FOR CLEANING, LUBRICATION AND STORAGE OF APPLICATOR.
- 3 APPLY PART NUMBER 2-23419-6 LOCTITE TO THREADS OF ITEMS 242.
- 4 CRIMP HEIGHT REFERENCE SETTING WAS THE SETTING USED WHEN THE APPLICATOR WAS QUALIFIED AT THE FACTORY. ADJUSTMENT MAY BE NECESSARY WHEN RUNNING APPLICATOR IN THE FIELD.
- 5 ITEMS 1 & 178 TO BE USED WITH 12 AWG ONLY. ITEMS TO BE SHIPPED WITH APPLICATOR.
- 6 ITEMS 253 & 254 TO BE USED WITH 14 AWG ONLY. ITEMS TO BE SHIPPED WITH APPLICATOR.

**\*WARNING**  
ON INSTALLATION, SET WIRE DISC TO CRIMP HEIGHT REFERENCE SETTING FOR LARGEST WIRE SIZE. CRIMP HEIGHT REFERENCE SETTINGS GREATER THAN THE VALUE SHOWN MAY CAUSE DAMAGE TO THE CRIMP TOOLING, REFER TO THE INSTRUCTION SHEET FOR PROPER SETUP AND ADJUSTMENTS.

LOC	DIST	REVISIONS			
A	66	REV	DATE	BY	CHKD
		D1	ECR-19-004559	21MAR2019	TB GB
		E	ECR-21-006983	21JUL2021	TB RK
		F	ECR-22-154493	03OCT2022	ROY JAH
		G	ECR-23-192369	15NOV2023	AO TB

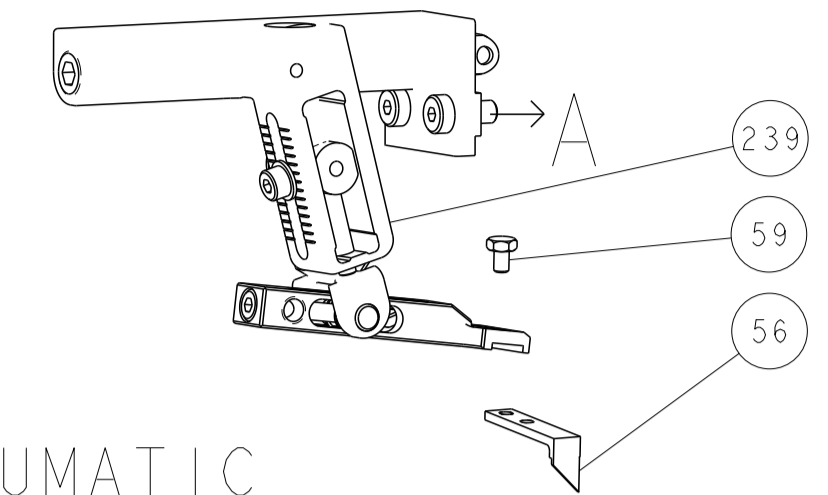
1	-	-	1	1	1	1	2-456408-6	CRIMPER, WIRE PREMIUM	256
1	-	-	1	1	1	1	2-456408-5	CRIMPER, WIRE PREMIUM	254
1	1	-	1	1	1	1	815664-6	CRIMPER, WIRE-O	253
-	-	-	1	-	1	-	2119641-1	FEED CAM, AIR FEED	248
-	-	-	1	1	1	1	2119082-6	CAM, SNAIL, INSULATION ADJUSTMENT	244
-	-	-	1	1	1	1	2079764-1	WASHER, WAVE SPRING, CREST-TO-CREST	243
3	-	-	1	1	1	1	2119083-1	RETAINER, INSULATION DIAL	242
-	-	-	1	1	1	1	7-18023-7	SCR, SKT HD CAP M3 X 4.0	241
-	-	-	-	1	-	1	2119580-1	MECHANICAL FEED ASSEMBLY	239
-	-	-	1	-	1	-	2844940-1	AIR FEED MODULE	238
5	1	-	1	2	2	1	7-456408-6	CRIMPER, WIRE PREMIUM	178
-	-	-	REF	REF	REF	REF	994970-2	COUNTER, MAGNETIC	164
-	-	-	1	1	1	1	1-18028-2	WASHER, FLAT, REG M4	119
-	-	-	1	1	1	1	2844908-1	SCREW, LOCKING	99
-	-	-	1	1	1	1	2844907-1	POST, LOCKING	98
-	-	-	1	1	1	1	455888-5	SPACER, CRIMPER -	82
-	-	-	1	1	1	1	1803607-3	DOCUMENTATION PACKAGE	71
-	-	-	1	1	1	1	2119740-1	TAG, IDENTIFICATION	67
-	-	-	2	2	2	2	2168078-1	SCREW, DRIVE, RH, RoHS, 2 x .188	66
-	-	-	1	1	1	1	2168083-2	SCR, SKT HD CAP, RoHS, M4 X 8.0	60
-	-	-	1	1	1	1	5-18022-5	SCR, HEX HD CAP, M4 X 6.0	59
-	-	-	1	1	1	1	1338685-1	PAWL, FEED	56
-	-	-	4	4	4	4	2168083-3	SCR, SKT HD CAP, RoHS, M4 X 12.0	54
-	-	-	1	2	1	2	18023-9	SCR, SKT HD CAP M4 X 6.0	49
-	-	-	-	1	-	1	2119652-1	FEED CAM, PRE FEED	48
-	-	-	-	1	-	1	2119653-1	FEED CAM, POST FEED	47
-	-	-	1	1	1	1	1803583-9	APPLICATOR BASIC ASSEMBLY, SF	46
-	-	-	1	1	1	1	1803515-1	RAM ASSEMBLY, SF ATLANTIC	44
-	-	-	1	1	1	1	1803602-1	SCR, BHSC, RoHS (M8 X 25)	41
-	-	-	1	1	1	1	469465-4	STOP, WIRE	34
-	-	-	2	2	2	2	2079383-5	SCR, BHSC, RoHS (M4 X 20)	33
-	-	-	2	2	2	2	2-2844962-8	SPACER, CYLINDRICAL, STRIP GUIDE	30
-	-	-	1	1	1	1	2844992-1	ASSEMBLY, STRIP GUIDE -	29
-	-	-	1	1	1	1	455888-3	SPACER, CRIMPER -	28
-	-	-	1	1	1	1	1320928-2	STRIP GUIDE	24
-	-	-	1	1	1	1	2168083-2	SCR, SKT HD CAP, RoHS, M4 X 8.0	21
-	-	-	1	1	1	1	1-18028-2	WASHER, FLAT, REG M4	20
-	-	-	1	1	1	1	2119533-3	STRIPPER, SIDE FEED	19
1	-	-	1	1	1	1	2119806-1	INSERT, SHEAR	13
-	-	-	1	1	1	1	3-22280-3	SPRING, COMPRESSION	12
-	-	-	1	1	1	1	1-356885-4	STOP, SHEAR	11
1	-	-	1	1	1	1	2119805-1	SHEAR HOLDER, FRONT -	10
1	-	-	1	1	1	1	1803095-1	FLOATING SHEAR, FRONT -	9
1	1	1	2	2	1	1	1633923-5	ANVIL, COMBINATION	8
-	-	-	-	-	-	-	-	-	7
-	-	-	-	-	-	-	-	-	6
-	-	-	1	1	1	1	1-2119757-2	DEPRESSOR, SHEAR	5
-	-	-	1	1	1	1	238011-8	BLOCK, CRIMPER SPACER	4
1	1	1	2	2	1	1	6-2119582-7	CRIMPER, INSULATION F PREMIUM	3
-	-	-	1	1	1	1	455888-7	SPACER, CRIMPER -	2
5	1	-	1	2	2	1	815664-2	CRIMPER, WIRE-O	1

ITEM NO	PART NO	DESCRIPTION	ITEM NO
-79	-78	-77	-72
-71	-2	-1	

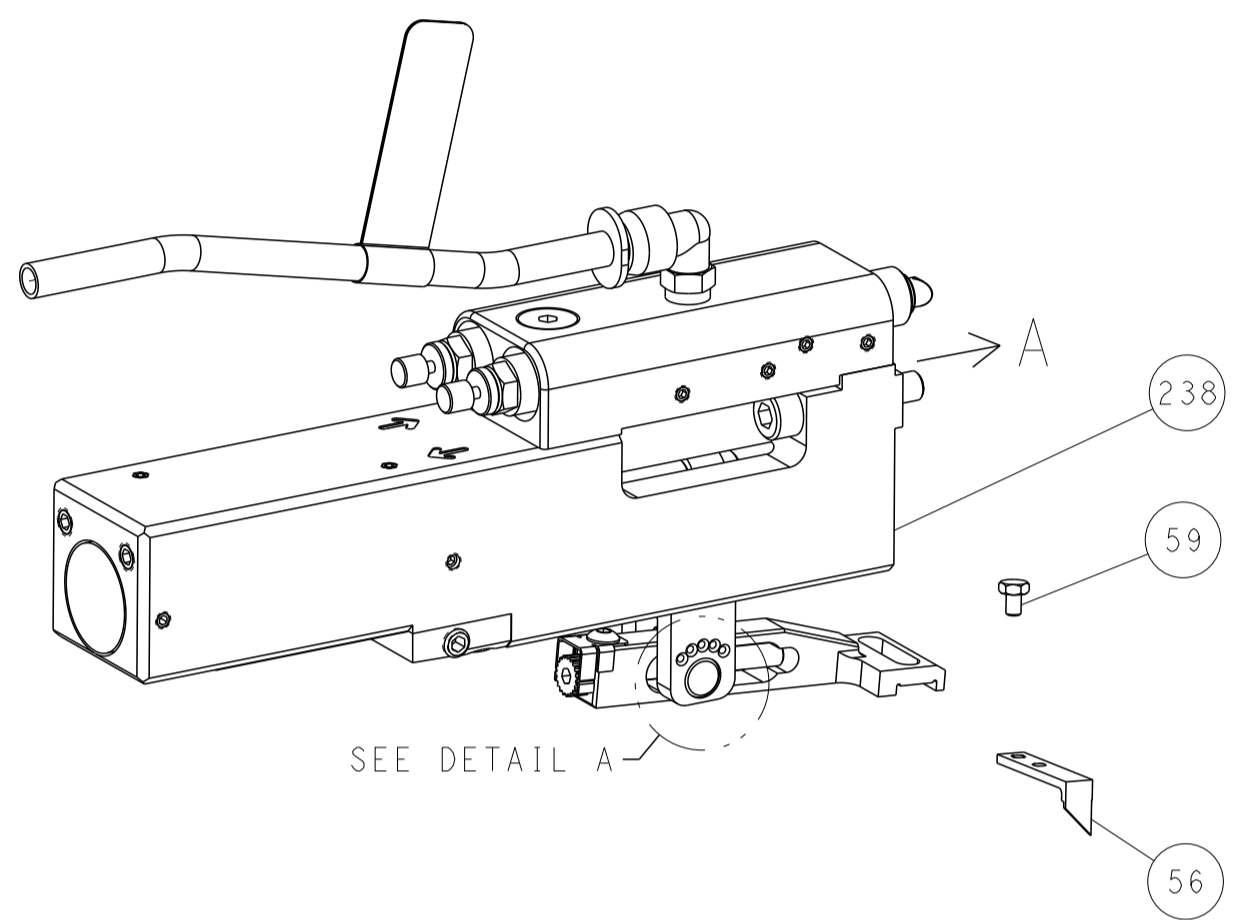
DATE	31 JAN 2013	DATE	31 JAN 2013
CHKD	T. ELBIN	CHKD	T. ELBIN
APVD	M. CLIFFORD	APVD	M. CLIFFORD
NAME	Ocean Side Feed Applicator		
SIZE	A1	CAGE CODE	00779
DRAWING NO	2151314		
RESTRICTED TO	Customer Accessible Production Drawing		
SCALE	1:2	SHEET	1 OF 4
REV	G		

LOC	DIST	REVISIONS					
		P	LTN	DESCRIPTION	DATE	DWN	APVD
A	66	-	-	SEE SHEET 1	-	-	-

# FEED TYPE MECHANICAL



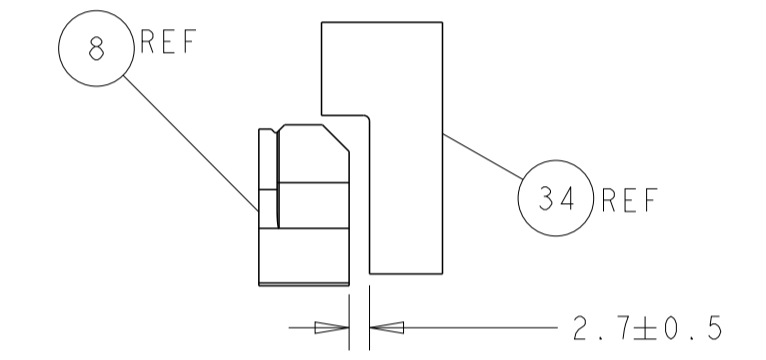
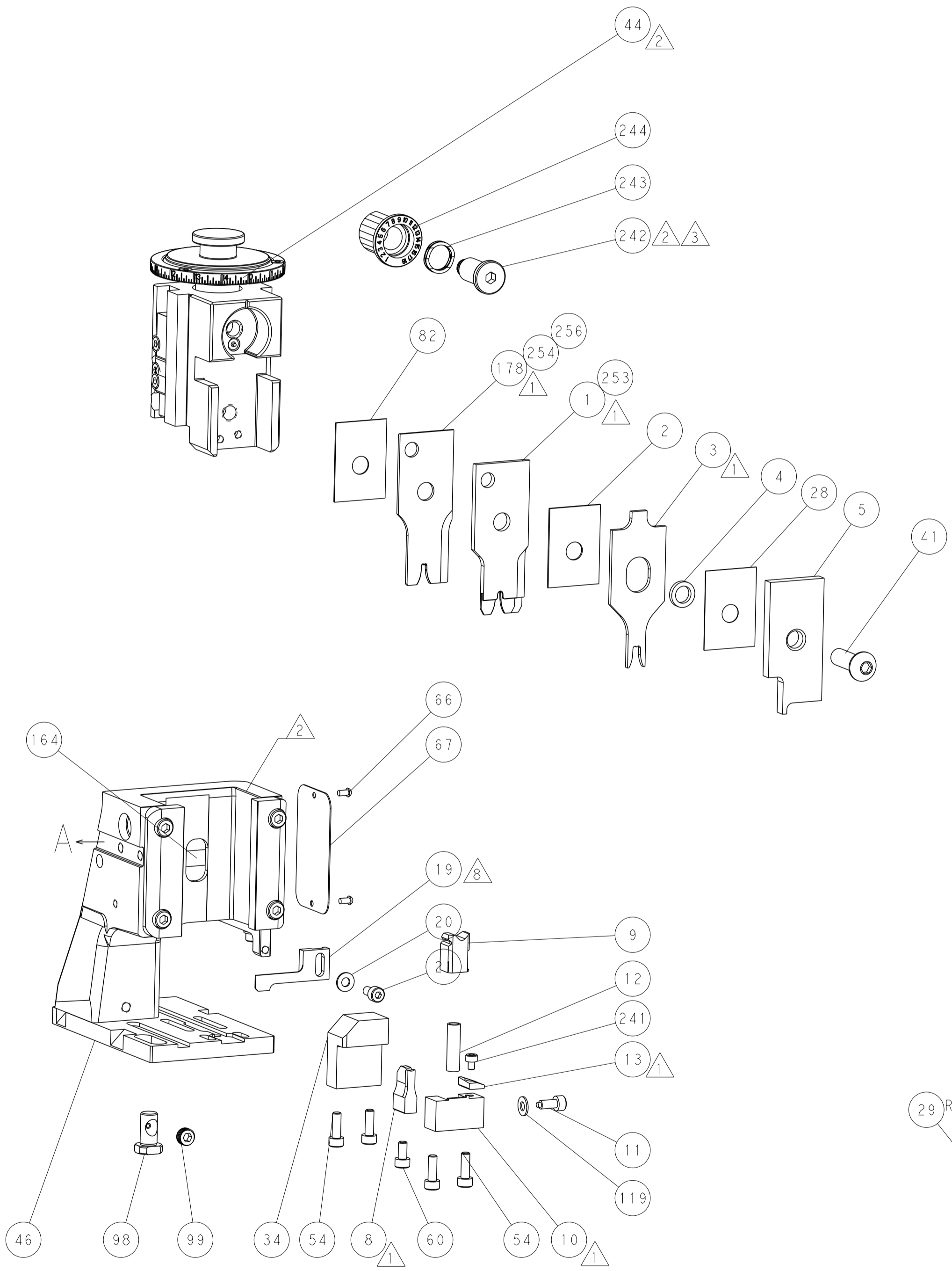
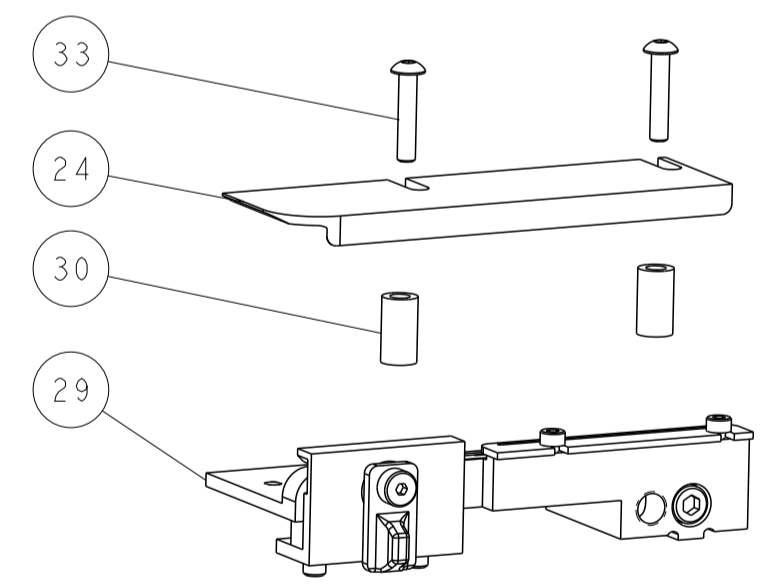
## PNEUMATIC



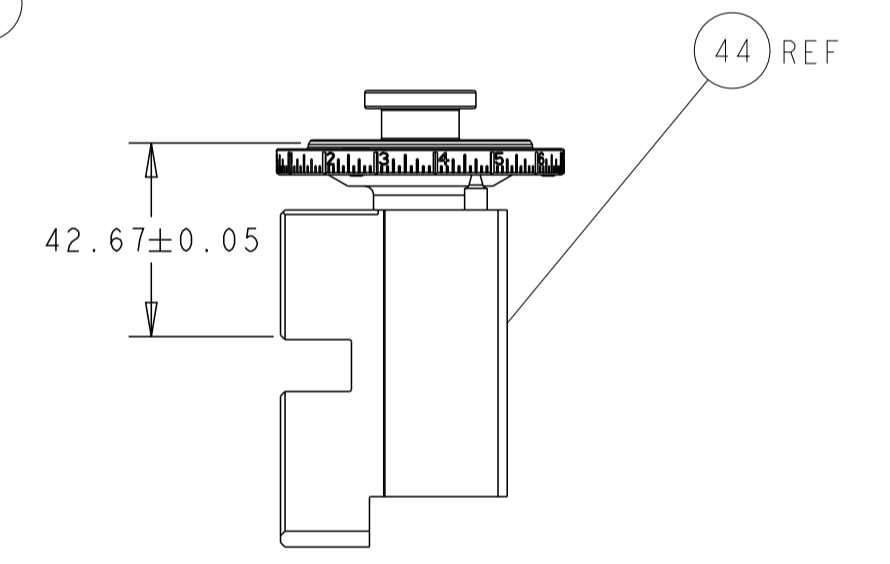
## FEED SPRING SETTING POSITION (SHOWN FROM REAR SIDE)



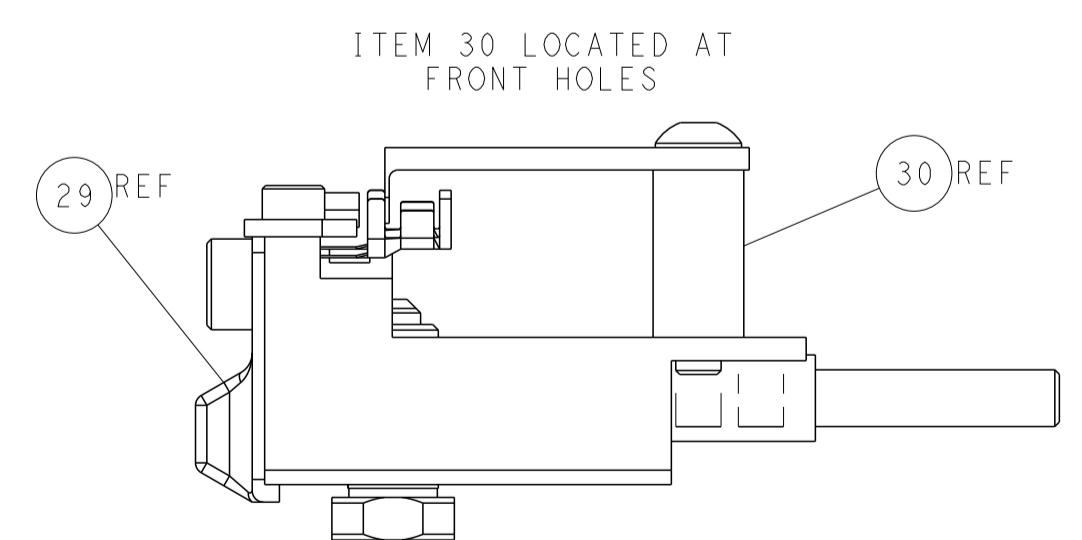
DETAIL A



WIRE STOP LOCATION

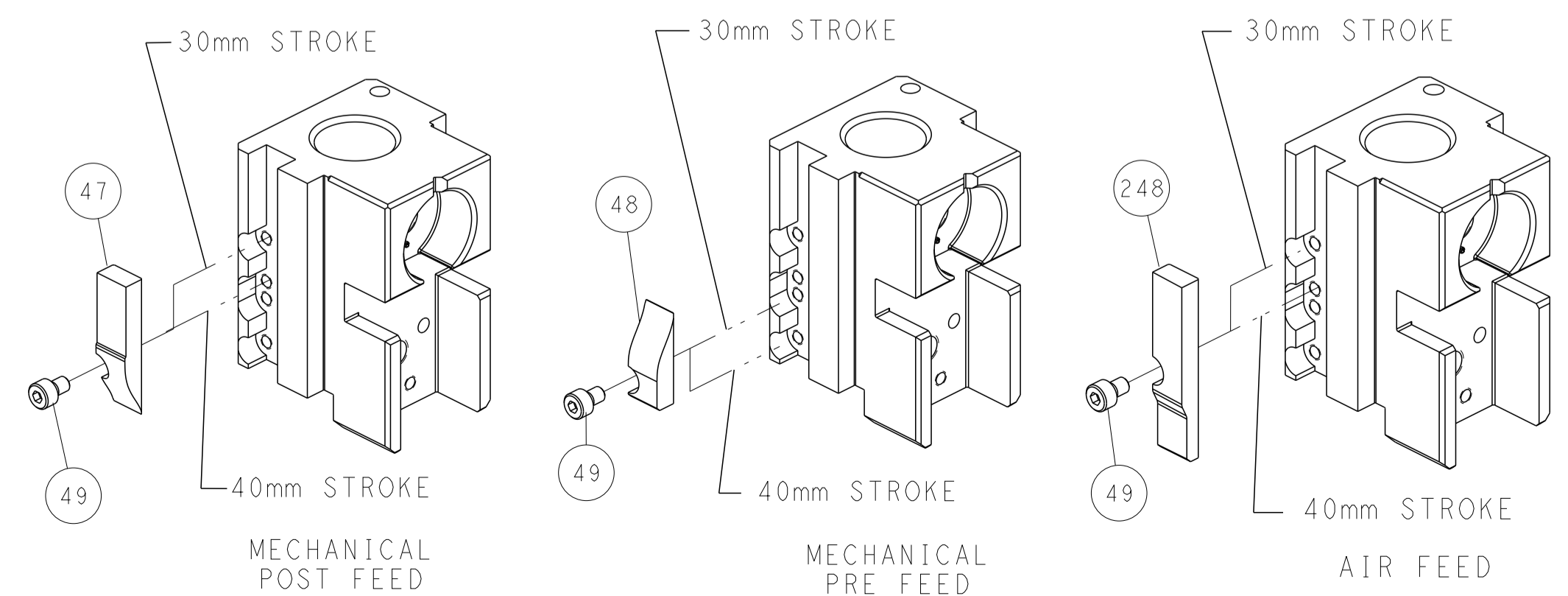


RAM SET-UP



FEED TRACK POSITION GUIDE BY INSULATION BARREL

# CAM POSITIONS



DIMENSIONS: mm 		TOLERANCES UNLESS OTHERWISE SPECIFIED: 0 PLC ± 1 PLC ± 2 PLC ± 3 PLC ± 4 PLC ± ANGLES ± FINISH		DWN L. GROSS 31JAN2013 CHK T. ELBIN 31JAN2013 APVD M. CLIFFORD 31JAN2013 PRODUCT SPEC APPLICATION SPEC WEIGHT Customer Accessible Production Drawing		NAME Ocean Side Feed Applicator SIZE CAGE CODE DRAWING NO. RESTRICTED TO A1 00779 C=2151314 SCALE 1:2 SHEET 2 OF 4 REV G	
-----------------------	--	---	--	--	--	---	--