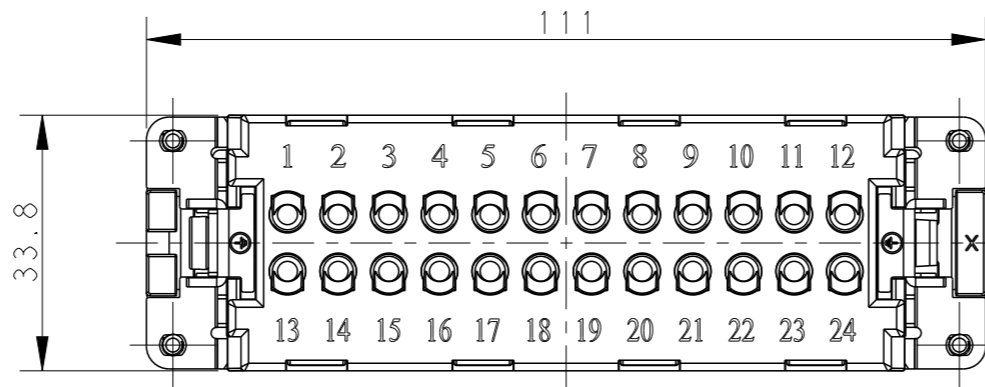
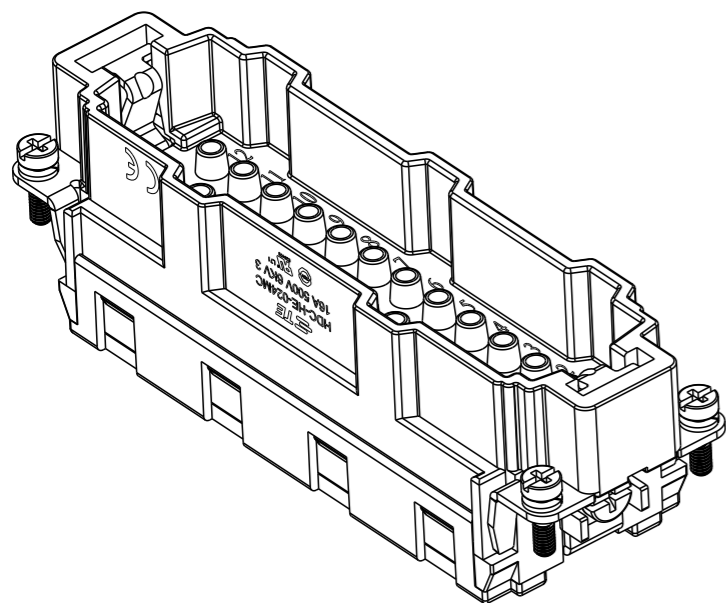


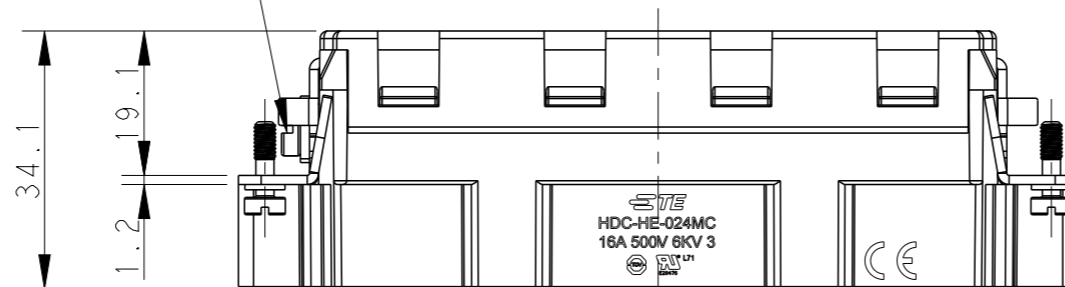
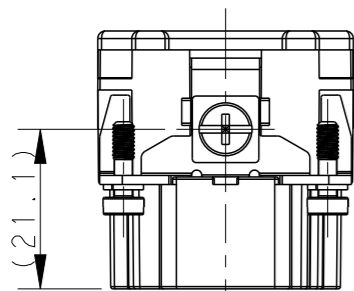
THIS DRAWING IS UNPUBLISHED. RELEASED FOR PUBLICATION 20
 © COPYRIGHT 20 BY - ALL RIGHTS RESERVED.

REVISIONS

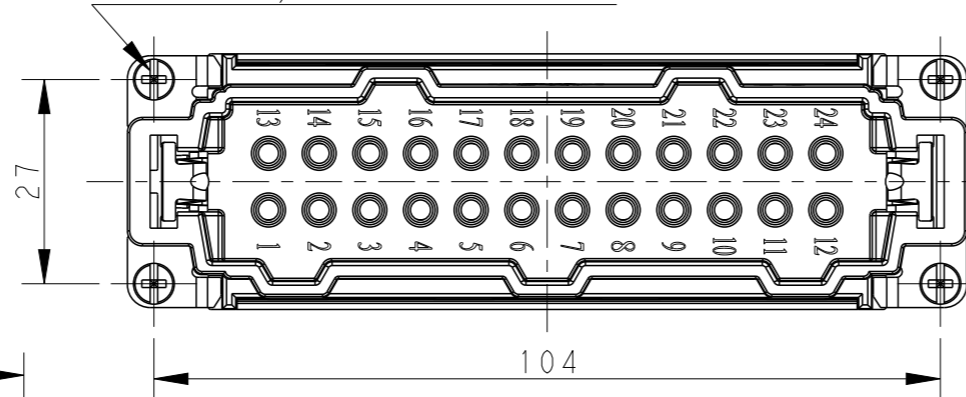
| P | LTR | DESCRIPTION | DATE | DWN | APVD |
|----|---------------|-------------|-----------|-----|------|
| B | ECR-15-013759 | | 100c+2015 | DW | CW |
| B1 | ECR-16-015492 | | 17NOV2016 | OY | CW |
| C | ECR-21-106515 | | 21JUL2021 | SQ | CW |
| C1 | ECR-22-158213 | | 29MAY2023 | RW | CW |



M4 SCREW, RECOMMENDED
 TIGHTENING TORQUE 1.2Nm
 M4螺丝, 推荐锁紧力矩1.2Nm



4X M3 SCREW, RECOMMENDED
 TIGHTENING TORQUE 0.5Nm
 4X M3螺丝, 推荐锁紧力矩0.5Nm



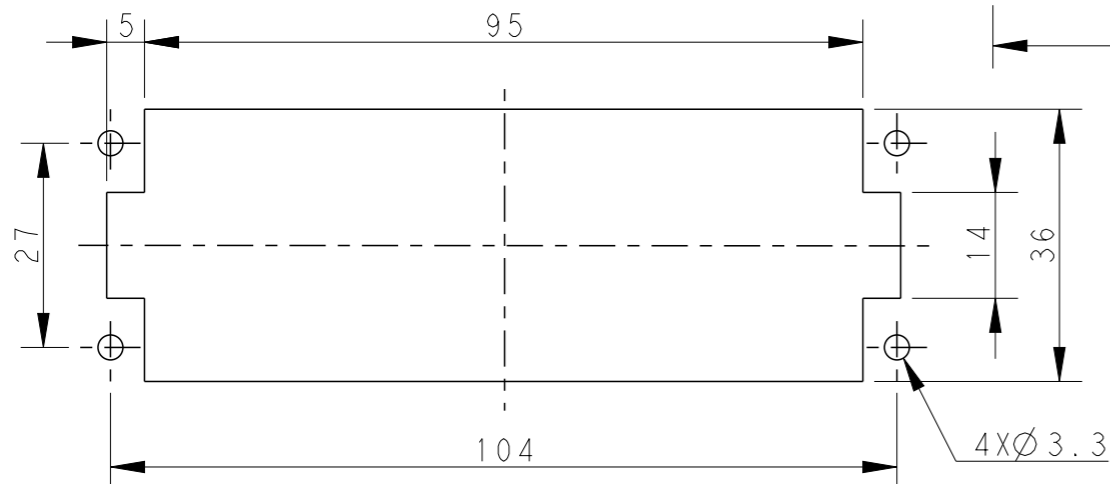
NOTES:

- TECHNICAL CHARACTERISTICS:
 INSULATION MATERIAL: PC
 RATED VOLTAGE: 500V
 RATED CURRENT: 16A
 INSULATION RESISTANCE: $\geq 400M\Omega$
 RATED IMPULSE VOLTAGE: 6KV
 POLLUTION DEGREE: 3
 FLAMMABILITY: UL94V-0
 MATING CYCLES: 500 CYCLES
 WIRE RANGE: $0.14mm^2 \sim 4mm^2$ (AWG26-AWG12)
 CONTACT TYPE: CRIMP CONTACT
- CONTACTS NEED TO BE ORDERED SEPARATELY.
 (ORDER No. REFER TO DRAWING: T20300X10XX000)

注释:

- 技术参数:
 绝缘材料: PC
 额定电压: 500V
 额定电流: 16A
 绝缘电阻: $\geq 400M\Omega$
 脉冲电压: 6KV
 污染等级: 3
 阻燃等级: UL94V-0
 插拔次数: 500次
 接线范围: $0.14mm^2 \sim 4mm^2$ (AWG26-AWG12)
 接线类型: 冷压接
- 端子需要单独订购。
 (订货号参考图面: T20300X10XX000)

TYPE-1, T2040244101-000, TE LOGO
 类型-1, T2040244101-000, TE LOGO
 TYPE-1, T2040244101-007, TE LOGO
 类型-1, T2040244101-007, TE LOGO



PANEL CUT FOR INSERTS FOR USING
 WITHOUT HOODS/ HOUSINGS
 不使用防护外壳时芯件的安装开孔图

THIS DRAWING IS A CONTROLLED DOCUMENT.

| DIMENSIONS: | TOLERANCES UNLESS OTHERWISE SPECIFIED: |
|-------------|--|
| mm | |
| 0 PLC | ±- |
| 1 PLC | ±- |
| 2 PLC | ±- |
| 3 PLC | ±- |
| 4 PLC | ±- |
| ANGLES | ±- |
| MATERIAL | FINISH |
| - | - |

| | | |
|------------------|------------|-----------|
| DWN | Gino.Yao | 19Aug2014 |
| CHK | Chris.Wang | 19Aug2014 |
| APVD | Xiang.Xu | 19Aug2014 |
| PRODUCT SPEC | 108-137044 | |
| APPLICATION SPEC | 114-137044 | |
| WEIGHT | - | |
| CUSTOMER DRAWING | | |

| | | | |
|-----------|-----------|------------------|---------------|
| | | TE Connectivity | |
| | | NAME HE-024-MC | |
| SIZE | CAGE CODE | DRAWING NO | RESTRICTED TO |
| A3 | 00779 | ©-T2040244101000 | - |
| SCALE 1:1 | | SHEET 1 OF 2 | REV C1 |

4

3

2

1

THIS DRAWING IS UNPUBLISHED.

RELEASED FOR PUBLICATION

20

© COPYRIGHT 20 BY -

ALL RIGHTS RESERVED.

REVISIONS

| P | LTR | DESCRIPTION | DATE | DWN | APVD |
|---|-----|-------------|------|-----|------|
| - | | SEE SHEET 1 | - | - | - |
| | | | | | |
| | | | | | |


NOTE:
SEE SHEET 1

注释:
见页 1

TYPE-2, T2040244101-001, STAINLESS STEEL SCREW, NO LOGO
类型-2, T2040244101-001, 不锈钢螺丝, 无LOGO

| | | | |
|-------------------|------------------------|---|----------------|
| T2040244101-001 | HE-024-MC | HE-024 MALE INSERT, CRIMPING, STAINLESS STEEL SCREW, NO LOGO HE-024公插, 冷压针, 不锈钢螺丝, 无LOGO | TYPE-2 类型-2 |
| T2040244101-007 | HE-024-MC | HE-024 MALE INSERT, CRIMPING HE-024公插, 冷压针 | TYPE-1 类型-1 |
| T2040244101-000 | HE-024-MC | HE-024 MALE INSERT, CRIMPING HE-024公插, 冷压针 | TYPE-1 类型-1 |
| PART NUMBER 料号 | PART DESCRIPTION 描述 | | TYPE 类型 |

ALL SPEC DIMENSION REFER TO TYPE 1
所有产品规格尺寸参照 TYPE 1

| | | | | | |
|---|-------------|--------------------------------|---|------------------------------|----------------------------|
| THIS DRAWING IS A CONTROLLED DOCUMENT. | | DWN Gino.Yao 19Aug2014 |  TE Connectivity | | |
| DIMENSIONS: mm | | CHK Chris.Wang 19Aug2014 | | | NAME HE-024-MC |
| TOLERANCES UNLESS OTHERWISE SPECIFIED: | | APVD Xiang.Xu 19Aug2014 | | | PRODUCT SPEC 108-137044 |
| 0 PLC ±- 1 PLC ±- 2 PLC ±- 3 PLC ±- 4 PLC ±- ANGLES ±- | | APPLICATION SPEC 114-137044 | | | SIZE A3 |
| MATERIAL - | FINISH - | WEIGHT - | CAGE CODE 00779 | DRAWING NO T2040244101000 | RESTRICTED TO - |
| CUSTOMER DRAWING | | | SCALE 1:1 | SHEET 2 OF 2 | REV C1 |

1470-19 (3/13)