

THIS DRAWING IS UNPUBLISHED.

RELEASED FOR PUBLICATION

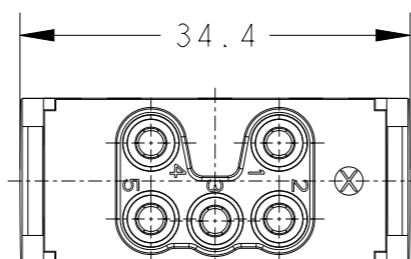
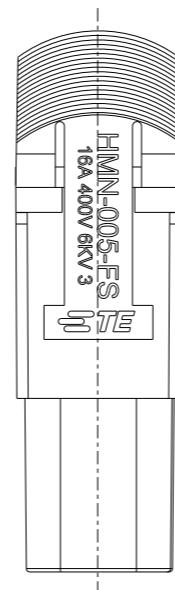
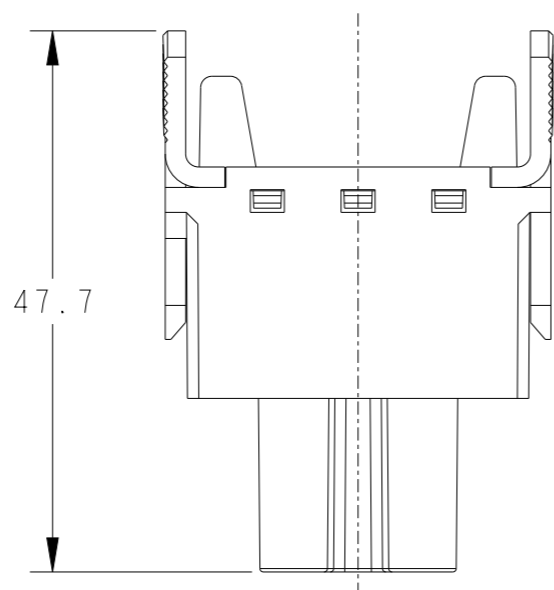
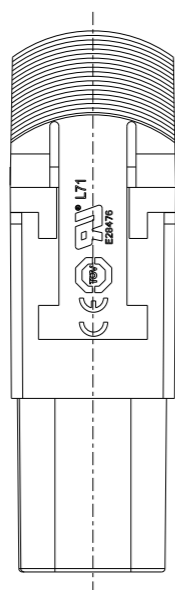
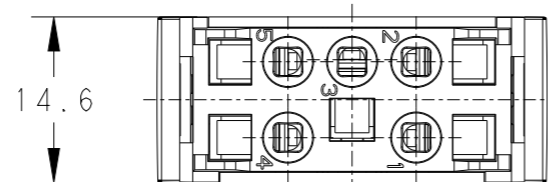
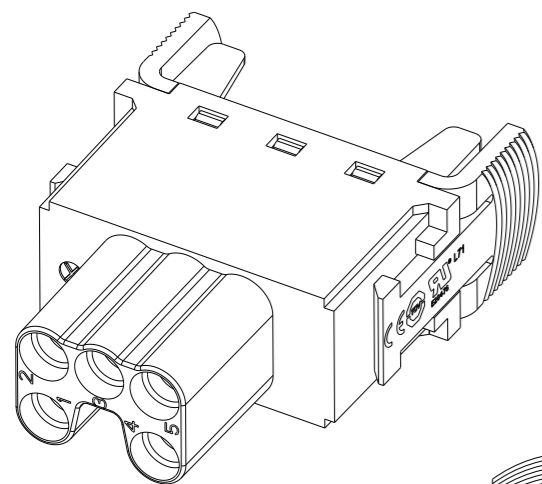
20

© COPYRIGHT 20 BY -

ALL RIGHTS RESERVED.

REVISIONS

P	LTR	DESCRIPTION	DATE	DWN	APVD
	A	INITIAL	29APR2015	DW	CW
	B	ECR-15-018270	09DEC2015	DW	CW
	C	ECR-21-111798	27SEP2021	WQR	CW



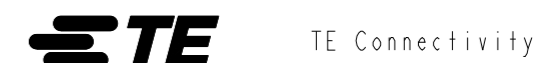
NOTES:

- TECHNICAL CHARACTERISTICS:
 INSULATION MATERIAL: PC
 RATED VOLTAGE: 400V
 RATED CURRENT: 16A
 INSULATION RESISTANCE: $\geq 400M\Omega$
 RATED IMPULSE VOLTAGE: 6KV
 POLLUTION DEGREE: 3
 CONTACT RESISTANCE: $\leq 5m\Omega$
 FLAMMABILITY: UL94V-0
 MATING CYCLES: 500 CYCLES
 OPERATION TEMPERATURE: $-40^{\circ}C \sim +125^{\circ}C$
 WIRE RANGE: 0.5~2.5mm²
 CONTACT TYPE: SPRING TYPE.

注释:

- 技术参数:
 绝缘材料: PC
 额定电压: 400V
 额定电流: 16A
 绝缘电阻: $\geq 400M\Omega$
 脉冲电压: 6KV
 污染等级: 3
 接触电阻: $\leq 5m\Omega$
 阻燃等级: UL94V-0
 插拔次数: 500次
 工作温度: $-40^{\circ}C \sim +125^{\circ}C$
 接线范围: 0.5~2.5mm²
 接线类型: 弹片连接

HMN-005-FS	T2110052201-000
DESCRIPTION	PART NUMBER



THIS DRAWING IS A CONTROLLED DOCUMENT.		DWN	29APR2015	NAME	HMN-005-FS
		CHK	29APR2015		
		APVD	29APR2015		
		PRODUCT SPEC	108-137119		
DIMENSIONS: mm		TOLERANCES UNLESS OTHERWISE SPECIFIED:		APPLICATION SPEC	114-137119
		0 PLC	±-	SIZE	A3
		1 PLC	±-	CAGE CODE	00779
		2 PLC	±-	DRAWING NO	T2110052201000
		3 PLC	±-	RESTRICTED TO	-
		4 PLC	±-	SCALE	3:2
MATERIAL		ANGLES	±-	SHEET	1 OF 1
		FINISH	-	REV	C
			-	Customer Drawing	