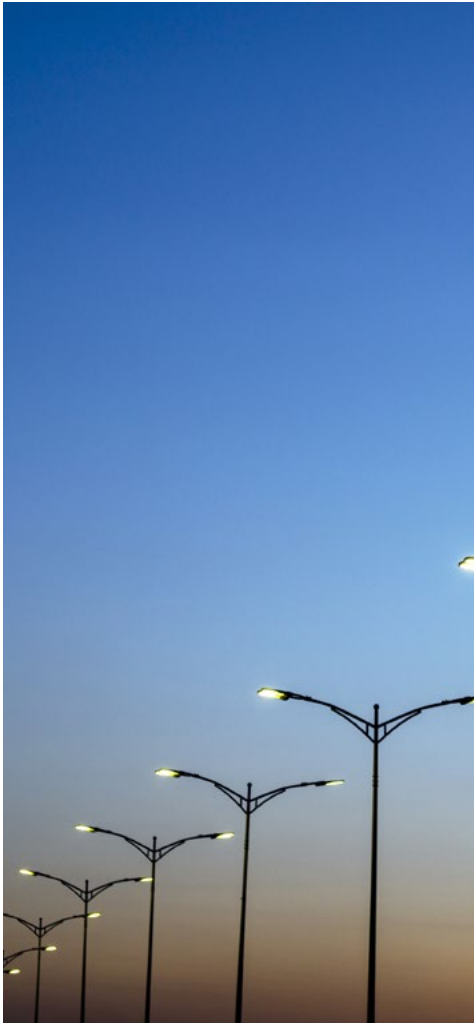


# ACCESSORIES FOR CIRCULAR PLASTIC CONNECTORS

---



## Accessories for Circular Plastic Connectors

Accessories come in all shapes and sizes, and it is important to have those additional components that ease installation, provide extra stability, and enable a cleaner connection for your designs. TE Connectivity (TE) offers a wide range of accessories for Circular Plastic Connectors (CPC) Series 1-5 such as cable clamps, flexible cable boots, dust caps and more.

Explore our CPC accessories below for the right accompaniment to your design. Additional information and diagrams can be found in the CPC Catalog available on [te.com](http://te.com).

**\*Note: accessories are categorized by shell size: For example, size 23 cable clamps all fit to the size requirements of size 23 connectors\***

### Cable Clamps

TE's receptacles and plugs



#### Standard Size

#### Material

Black thermoplastic heat-stabilized, fire-resistant, self-extinguishing, UL 94V-0

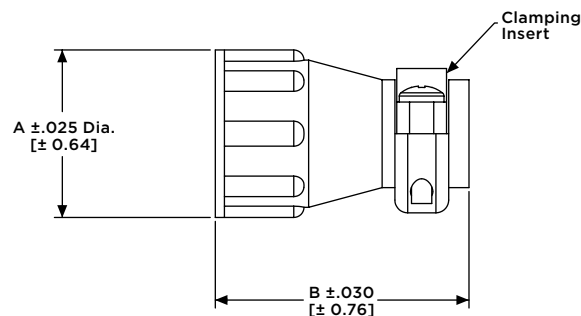
Shell Size	Dimensions		Cable O.D. (Max.)	Thread Size	Part No.	
	A	B			Individually Packaged	Bulk Packaged*
11	.825 [20.96]	1.250 [31.75]	.329 [8.36]	5/8-24 UNEF-2B	1-206062-4	1-206062-7** (400)
13	.950 [24.13]	1.400 [35.56]	.453 [11.51]	3/4-20 UNEF-2B	206966-7	206966-9** (200)
17	1.125 [28.58]	1.400 [35.56]	.453 [11.51]	15/16-20 UNEF-2B	206070-8	1-206070-0** (200)
23	1.600 [40.64]	1.555 [39.5]	.703 [17.86]	1-3/8-18 UNEF-2B	206138-8	1-206138-0** (100)

\* Numbers in parentheses specify, in multiples, the minimum quantity of parts that can be ordered.

\*\* Packaging includes two screws: shell sizes 11-17, screw length .500 [12.7]; shell size 23, screw length .625 [15.88].

#### Notes:

- Clamping areas adjustable by inverting or changing clamping inserts. The quantity of inserts supplied with each assembly is as follows: for size 11 cable clamps, one insert; for all other cable clamps, two inserts.
- Components for all cable clamps are packaged unassembled. This includes the cable clamp, two screws and the clamping inserts.
- Cable clamps can be threaded directly onto plugs or receptacles, or onto back-shell extenders.
- Replacement screws are available in the following sizes: 3/8 in. [9.52] - **5019024-1**, 1/2 in. [12.7] - **5019024-2**, 5/8 in. [15.88] - **5019024-3**, 1 in. [25.4] - **5019024-4**, 3/4 in. [19.05] - **5019024-5**.
- Cable clamp inserts not sold separately.



Note: All part numbers are RoHS Compliant.

Dimensions are in inches and millimeters unless otherwise specified. Values in brackets are metric equivalents. Dimensions are shown for reference purposes only. Specifications subject to change.

## Accessories for Circular Plastic Connectors



Large Size

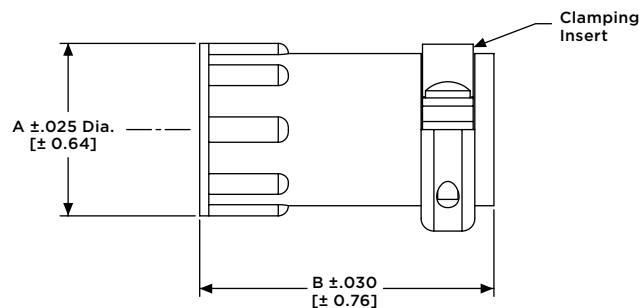
Shell Size	Dimensions		Cable O.D. (Max.)	Thread Size	Part No.	
	A	B			Individually Packaged	Bulk Packaged*
11	.850 [21.59]	1.450 [36.83]	.453 [11.51]	5/8-24 UNEF-2B	206358-5	206358-6** (200)
13	1.131 [28.73]	1.655 [42.04]	.703 [17.86]	3/4-20 UNEF-2B	207008-5	207008-6** (100)
17	1.131 [28.73]	1.655 [42.04]	.703 [17.86]	15/16-20 UNEF-2B	206322-9	1-206322-0** (100)
23	1.600 [40.64]	1.655 [42.04]	1.125 [28.58]	1-3/8-18 UNEF-2B	206512-5	206512-6** (75)

\* Numbers in parentheses specify, in multiples, the minimum quantity of parts that can be ordered.

\*\*Packaging includes two screws: shell size 11, screw length .500 [12.7]; shell sizes 13-23, screw length .625 [15.88].

### Notes:

- Clamping areas adjustable by inverting or changing clamping inserts. The quantity of inserts supplied with each assembly is as follows: for size 23 cable clamps, four inserts; for all other cable clamps, two inserts.
- Components for all cable clamps are packaged unassembled. This includes the cable clamp, two screws and the clamping inserts.
- Cable clamps can be threaded directly onto plugs or receptacles, or onto back-shell extenders (page 40).
- Replacement screws are available in the following sizes: 3/8 in. [9.52] – **5019024-1**, 1/2 in. [12.7] – **5019024-2**, 5/8 in. [15.88] – **5019024-3**, 1 in. [25.4] – **5019024-4**, 3/4 in. [19.05] – **5019024-5**.
- Cable clamp inserts not sold separately.



## Flexible Cable Boots and Internal Cable Grips



Type	Shell Size	Material	Cable Range	Part No.
Cable boot	11	Black thermoplastic	.150-.250 [3.81-6.35] Dia.	207489-1
Cable grip				207490-1
Cable boot	17	Black thermoplastic	Dia. = .325 [8.26] for cable range of .200-.250 [5.08-6.35]	207241-1
Cable grip				207387-1
Cable grip				207387-2

Flexible cable boots, with internal grip installed, provide strain relief capabilities for jacketed cable in applications where aesthetic appearance is essential. They can be threaded onto plugs or receptacles.

Note: All part numbers are RoHS Compliant.

Dimensions are in inches and millimeters unless otherwise specified. Values in brackets are metric equivalents. Dimensions are shown for reference purposes only. Specifications subject to change.

## Accessories for Circular Plastic Connectors

### Keying Plugs

Keying plugs are used to provide keying capabilities for CPC series 1, 2, 3, and 4. Keying plugs are used in socket cavities of standard sex plugs and reverse sex receptacles, except when used with sealing caps. Seal protectors are recommended to aid contact insertion through the wire entry seal and are reusable.



TYPE	MATERIAL	COMPATIBLE WITH	PART NO.
Series 1 and Series 4 keying plug	Nylon, natural, UL94V-2 rated	Types III+ contacts	200821-1
Series 2 keying plug	Polyphenylene oxide, white, UL94V-1 rated	Size 20 DM and 20 DF contacts	206509-1
Series 3 and Series 4 keying plugs - socket	Nylon, natural, UL94V-2 rated	Type XII contacts	206508-1
Series 3 and Series 4 keying plugs - pin	Thermoplastic, black, UL94V-0 rated	Type XII contacts	207597-1
Series 1 sealed key plugs - sockets			208338-1
Series 1 sealed key plugs - pin			208337-1
Wire entry seal plug	Polypropylene, natural		796075-1

### Panel Mount Flanges

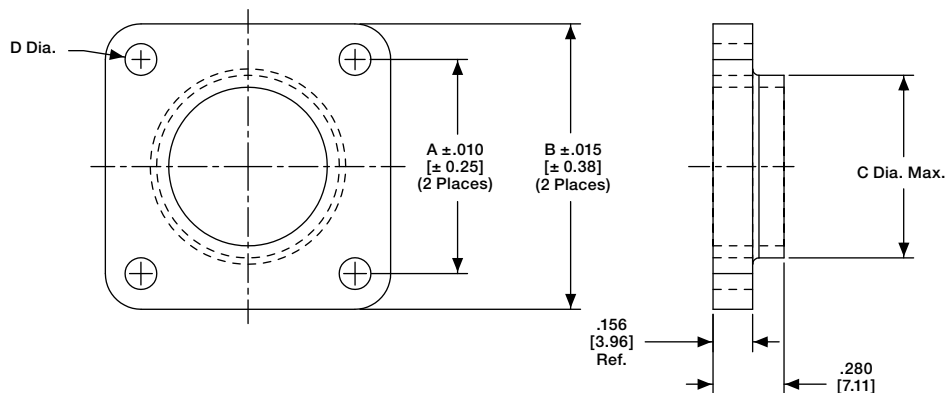
A panel mount flange is used in applications that require the plug half of a connector to be panel mounted



Shell Size	Dimensions				Part No.
	A	B	C	D	
11	.844 [21.44]	1.125 [28.58]	.750 [19.05]	.125 [3.18]	207299-1
13	.969 [24.61]	1.280 [32.51]	.875 [22.22]	.125 [3.18]	207299-2
17	1.125 [28.58]	1.435 [36.45]	1.110 [28.19]	.150 [3.81]	207299-3
23	1.438 [36.53]	1.750 [44.45]	1.510 [38.35]	.150 [3.81]	207299-4

#### Material

Black thermoplastic



Note: All part numbers are RoHS Compliant.

Dimensions are in inches and millimeters unless otherwise specified. Values in brackets are metric equivalents. Dimensions are shown for reference purposes only. Specifications subject to change.

### One-Piece or Two-Piece Sealed CPC Sealing Accessories

#### Flange Seals



Shell Size	Part No.
11	81665-3
13	81665-4
17	81665-2
23	81665-5

#### Material

Neoprene, black

#### Sealing Caps

Sealing caps are used to protect exposed contacts of unmated receptacles.



Shell Size	Series	Plastic Strap Part No.	Metal Bead Chain Part No.
11	1, 2	206903-2	208800-1
13	1	211870-2	213485-1
17	1, 2, 3	207445-3	208652-1
	5, 6	2423641-1	2423641-2
23	1, 3, 4	207446-3	208680-1
	2	207446-4	208680-2

#### Material and Finish

**Cap** – Thermoplastic, heat stabilized, fire resistant, self-extinguishing, 94V-1 rated, black

**Sealing Gasket** – Neoprene, black

**Bead Chain** – Steel, nickel plated

**Bead Chain Coupling** – Brass, plated nickel

#### Dust Caps



Shell Size	Part Number
8	1604089-1
11	1604089-2

Note: All part numbers are RoHS Compliant.

Dimensions are in inches and millimeters unless otherwise specified. Values in brackets are metric equivalents. Dimensions are shown for reference purposes only. Specifications subject to change.

## Accessories for Circular Plastic Connectors

### Heat shrink tubing seals

A jacketed cable seal kit provides an environmentally sealed connection for jacketed cable.



Sealing Range (Dia.)	Kit Number
.300-.450 [7.62-11.43]	207052-1
.450-.600 [11.43-15.24]	207052-2
.600-.875 [15.24-22.22]	207052-3

#### Material

**Peripheral Seal** – Grey elastomer

**Collar** – Aluminum

**Jacketed Cable Seal** – Black rubber

**Back-Shell Extender** – Black glass-filled thermoplastic

**Special Clamp Saddle** – Black thermoplastic

### Rubber Boot

Rubber boots are used with jacketed cable to provide splashproof connections for Series 1 and Series 3 connectors. (Not for metal shell connectors.)



Shell Size	Cable Dia. Sealing Range	Part No.
11	.219-.438 [5.56-11.13]	206304-1

#### Notes:

1. Rubber boots are recommended for use with jacketed cable and can be used on plugs or receptacles, except Series 2 connectors.
2. For detailed performance data on rubber boots, refer to Product Specification No. 108-10024.

#### Material

Black neoprene

### Heat Shrink Boots



Shell Size	Part Number
8	1546997-1
11	1546921-1

Note: All part numbers are RoHS Compliant.

Dimensions are in inches and millimeters unless otherwise specified. Values in brackets are metric equivalents. Dimensions are shown for reference purposes only. Specifications subject to change.

## Accessories for Circular Plastic Connectors

### Cable Entry Seals

#### Heat Shrinkable Sealing Boots

Cable entry seals are used with jacketed cable to provide an environmentally sealed wire-to-connector system. They can be used with either plugs or receptacles.



#### Thick Wall Boots

##### Material

**Internal Sleeve** – Nylon

**Outer Tubing** – Polyolefin, black

Shell Size	Expanded Wall Thickness	Sealing Range (Dia.)	Max. Recovered Inside Diameter	Part No.
11	.050 [1.27] Ref.	.250-.600 [6.35-15.24]	.160 [4.06]	54010-4
	.050 [1.27] Ref.	.250-.600 [6.35-15.24]	.250 [6.35]	54010-1
13	.060 [1.52] Ref.	.375-.725 [9.53-18.42]	.300 [7.62]	54123-1
17	.060 [1.52] Ref.	.400-.875 [10.16-22.22]	.375 [9.52]	54011-1
	.060 [1.52] Ref.	.400-.875 [10.16-22.22]	.375 [9.52]	54011-3
23	.070 [1.78] Ref.	.550-1.250 [13.97-31.75]	.500 [12.70]	54012-1

#### Thin Wall Boot

##### Material

**Inter Sleeve** – Nylon

**Outer Tubing** – Polyolefin

**Expanded Wall Thickness** – .020 [0.51]

**Max. Recovered Wall Thickness** – .040 [10.16]

**Sealing Range** – .250 [6.35]-.500 [12.70] Dia.



Shell Size 17  
Part No. 213933-1

Note: All part numbers are RoHS Compliant.

Dimensions are in inches and millimeters unless otherwise specified. Values in brackets are metric equivalents. Dimensions are shown for reference purposes only. Specifications subject to change.

### te.com

© 2020 TE Connectivity Ltd. family of companies All Rights Reserved.

TE Connectivity, TE connectivity (logo) and Every Connection Counts are trademarks. All other logos, products and/or company names referred to herein might be trademarks of their respective owners.

While TE has made every reasonable effort to ensure the accuracy of the information in this brochure, TE does not guarantee that it is error-free, nor does TE make any other representation, warranty or guarantee that the information is accurate, correct, reliable or current. TE reserves the right to make any adjustments to the information contained herein at any time without notice. TE expressly disclaims all implied warranties regarding the information contained herein, including, but not limited to, any implied warranties of merchantability or fitness for a particular purpose. The dimensions in this catalog are for reference purposes only and are subject to change without notice. Specifications are subject to change without notice. Consult TE for the latest dimensions and design specifications.

9-1773984-4 01/21 AK