

COOLSPICE CONNECTORS

TE Connectivity's (TE) CoolSplice connectors elegantly combine reliability with ease of termination. The CoolSplice connector from TE is suitable for splicing 22 AWG to 18 AWG (0.34 mm² - 0.75 mm²) solid and stranded wire. A common pair of pliers is used to push-button terminate insulated wires into an insulation displacement crimp contact. An industry proven reliable connection is provided and visually confirmed through the clear sidewall of the CoolSplice connector.



Applications

- **Outdoor lighting**
 - Area lighting
 - Signs and building façade lighting
- **Commercial refrigeration lighting**
- **Display and cabinet lighting**
- **Lighting in furniture**
- **Security and alarm systems**
- **Audio speaker connections**

Electrical

- **Current / Voltage Rating:**

Wire size	UL 2459	IEC 60998-2-3
18 AWG (0.75 mm ²)	6.2 A	5 A
20 AWG (0.52 mm ²)	5 A	5 A
22 AWG (0.34mm ²)	3.5 A	5 A
	600V	450V

- **Dielectric Withstanding Voltage:** 3400 VAC

Mechanical

- **Ambient temperature between -40 C and 75 C**
- **Operating temperature between -40 C and 105 C**
- **Suitable for 22 AWG to 18 AWG (0.34mm² - 0.75mm²) solid and stranded (see product specifications)**
- **IP20, IPX5, IPX7 and IPX8 rating (2 hours, 1m under water)**

Specifications

- **Product Specification:** [108-133061](#)
- **Application Specification:** [114-133061](#)

Benefits

- **Save installation time and eliminate the need to pre-strip wires with insulation displacement technology (IDC)**
- **Enable a waterproof solution with an IP rated splice**
- **Easy factory or field installation using independent left and right side push button termination**

Product Compliance / Approvals





- IEC 60998-2-3
- UL 2459
- UL 1977



Materials

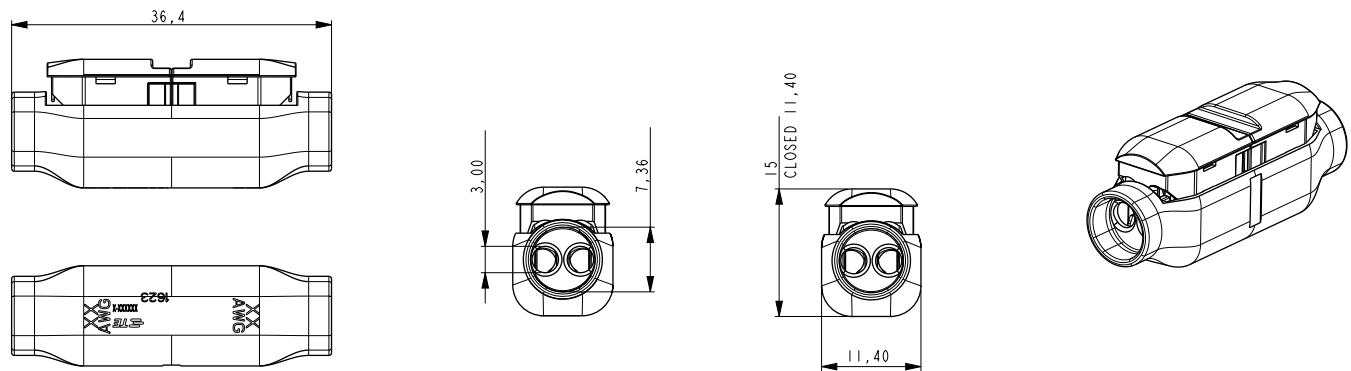
- **Housing:** Polycarbonate
 - UL 94V-2
 - UL 746C - f1 rated
- **Contact:** Tin plated, copper alloy

Product Selection Information

	Description	Wire Size*	Sealed (Y/N)	Part Number
	CoolSplice Connector	18 AWG 0.75 mm ²	N	2213800-1
	CoolSplice Connector	18 AWG 0.75 mm ²	Y	2213800-2
	CoolSplice Connector	20-22 AWG 0.52 - 0.34 mm ²	N	2213800-3
	CoolSplice Connector	20-22 AWG 0.52 - 0.34 mm ²	Y	2213800-4

*Wire sizes corresponding to IEC60998-1

Dimensions



te.com

© 2017 TE Connectivity. All Rights Reserved. CoolSplice, TE, TE Connectivity, and the TE connectivity (logo) are trademarks of the TE Connectivity Ltd. family of companies. Other logos, product and Company names mentioned herein may be trademarks of their respective owners.

While TE has made every reasonable effort to ensure the accuracy of the information in this brochure, TE does not guarantee that it is error-free, nor does TE make any other representation, warranty or guarantee that the information is accurate, correct, reliable or current. TE reserves the right to make any adjustments to the information contained herein at any time without notice. TE expressly disclaims all implied warranties regarding the information contained herein, including, but not limited to, any implied warranties of merchantability or fitness for a particular purpose. The dimensions in this catalog are for reference purposes only and are subject to change without notice. Specifications are subject to change without notice. Consult TE for the latest dimensions and design specifications.

1-1773891-8 JN 6/2017

USA: +1 (800) 522-6752
 Canada: +1 (905) 475-6222
 Mexico: +52 (0) 55-1106-0800
 Latin/S. America: +54 (0) 11-4733-2200
 Germany: +49 (0) 6251-133-1999
 UK: +44 (0) 800-267666
 France: +33 (0) 1-3420-8686
 The Netherlands: +31 (0) 73-6246-999
 China: +86 (0) 400-820-6015