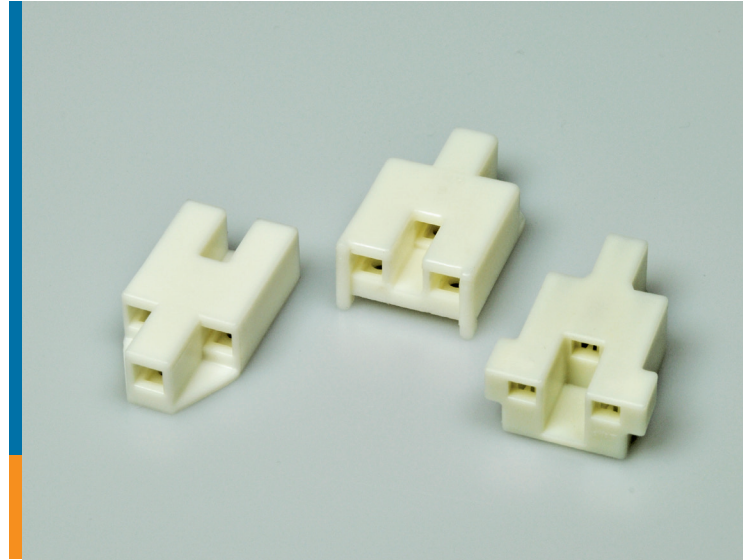


CLUSTER BLOCKS

Glow Wire Test Compliant
Designed for compressors



CLUSTER BLOCKS

Glow Wire Test Compliant

Designed for compressors

The requirement

The International Electrotechnical Commission (IEC) initiated the Glow Wire Test (GWT) method in 2001 to simulate the overheating of appliance components, helping to verify the safety of the appliance. The most recent edition is 2010.05. A growing number of appliance manufacturers are focused on producing products in compliance with GWT.

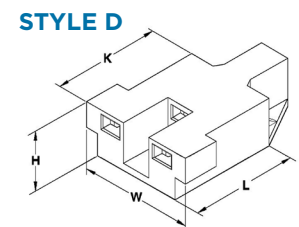
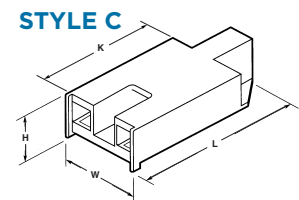
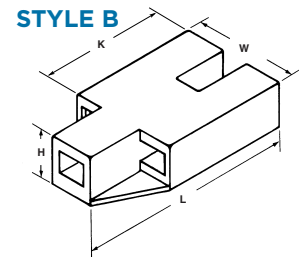
TE Connectivity's solution

TE Connectivity (TE) has consistently devoted itself to the development of products fully in compliance with GWT to help customers reach the IEC60335-1 standard. Toward that end, TE continuously evaluates new materials to determine their qualification for GWT.

New GWT versions of cluster block housings are a direct result of these activities. Using PA6(6) material, these new cluster block housings are fully compliant with both GWT and the original requirement of the cluster block. No changes in termination are required, as the new models accept the existing terminals.

GWT Cluster Block Housings

Image	Type	Header Pin Circle Dia.	Dim. L	Dim. W	Dim. H	Dim. K	Material / Use	Accepts Receptacle Style	Part Number
		mm [inch]	mm [inch]	mm [inch]	mm [inch]	mm [inch]			
B	3 Position Center Forward	13.46 [.530]	30.48 [1.200]	17.65 [.695]	9.70 [.382]	20.40 [.803]	PA6+GF / Exterior	A, B & C	2232327-2
C	3 Position Center Back	13.46 [.530]	30.48 [1.200]	17.65 [.695]	9.70 [.382]	20.40 [.803]	PA6+GF / Exterior	A, B & C	2232326-2
C	3 Position Center Back	13.46 [.530]	30.50 [1.200]	17.70 [.697]	7.80 [.307]	20.40 [.803]	PA6+GF / Exterior	A, B & C	1955415-1
D	3 Position Center Back Extra Wide	13.46 [.530]	31.60 [1.244]	22.70 [.893]	9.30 [.366]	21.50 [.846]	PA6+GF / Exterior	D & E	171370-6

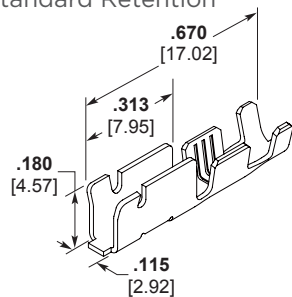


Pin Receptacles

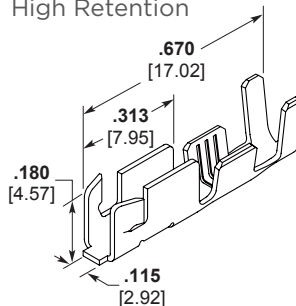
Type	Lead Wire Size	Magnet Wire Size	Crimp Width	Insulation Diameter	Crimp Width	Material	Part Number	Notes
	mm ₂ [AWG]	mm ₂ [CMA]	mm [inch]	mm [inch]	mm [inch]			
A Lead Wire Standard Retention	.30 - .75 [22 - 18]		2.03 [.080]	1.30 - 2.40 [.051 - .095]	3.05 [.120]	Tin Plated Phos Bronze ₁	1599105-1	
	.80 - 1.3 [18-16]		2.79 [.110]	1.50 - 2.50 [.060 - .100]	3.05 [.120]	Tin Plated Phos Bronze ₁	62131-3	
			2.79 [.110]	2.30 - 4.30 [.090 - .170]	4.57 [.180]	Tin Plated Phos Bronze ₁	63448-1	
B Lead Wire High Retention	.30 - 2.08 [22 - 14]		2.54 [.100]	2.00 - 3.80 [.080 - .150]	3.30 [.130]	Tin Plated Phos Bronze ₁	1217264-1	
			2.27 [.090]	1.50 - 2.55 [.060 - .100]	3.56 [.140]	Tin Plated Phos Bronze ₁	1742981-1	
C AMPLIVAR Terminal Direct Connect High Retention		.26 - .77 [400 - 1600]	2.27 [.090]	1.50 - 2.55 [.060 - .100]	3.56 [.140]	Tin Plated Phos Bronze ₁	1742981-1	
		.77 - 2.43 [1600 - 4800]	2.79 [.110]	1.90 - 3.20 [.075 - .125]	3.94 [.155]	Tin Plated Phos Bronze ₁	1742964-1	3
D Lead Wire Oval Contact	.50 - 1.25 [20 - 16]		2.29 [.090]	2.00 - 3.40 [.080 - .134]	3.81 [.150]	Tin Plated Phos Bronze ₁	170063-2	2
E AMPLIVAR Terminal Short Barrel Oval Contact		.11 - .73 [225 - 1445]	1.78 [.070]	.90 - 2.00 [.035 - .79]	3.3 [.130]	Tin Plated Phos Bronze ₁	1123655-1	2, 4
		.77 - 2.13 [1600 - 4200]	2.790 [.110]	2.00 - 3.90 [.080 - .114]	3.81 [.150]	Tin Plated Phos Bronze ₁	353937-1	2, 4

Notes: 1. May contain an equivalent copper alloy.
 2. Requires extra wide type D housing.
 3. Connects up to 3 copper or aluminum magnet wires without stripping insulation.
 4. Connects up to 2 copper magnet wires without stripping insulation.

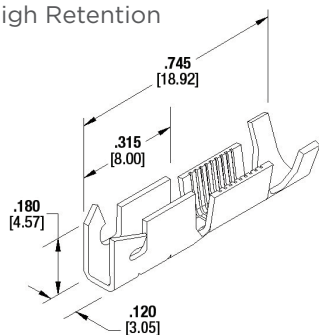
TYPE A
Lead Wire
Standard Retention



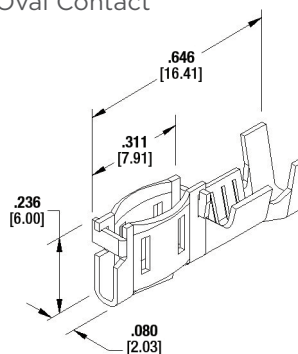
TYPE B
Lead Wire
High Retention



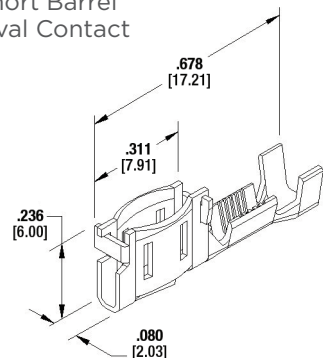
TYPE C
AMPLIVAR Terminal
Direct Connect
High Retention



TYPE D
Lead Wire
Oval Contact



TYPE E
AMPLIVAR Terminal
Short Barrel
Oval Contact



TE Connectivity Technical Support Center

USA:	+1 (800) 522-6752
Canada:	+1 (905) 475-6222
Mexico:	+52 (0) 55-1106-0800
Latin/S. America	+54 (0) 11-4733-2200
Germany:	+49 (0) 6251-133-1999
UK:	+44 (0) 800-267666
France:	+33 (0) 1-3420-8686
Netherlands:	+31 (0) 73-6246-999
China:	+86 (0) 400-820-6015

te.com

© 2014 TE Connectivity Ltd. family of companies. All Rights Reserved.

1-1773837-3 APP PDF 06/2014

TE Connectivity, TE Connectivity (logo) and Every Connection Counts are trademarks.

While TE has made every reasonable effort to ensure the accuracy of the information in this brochure, TE does not guarantee that it is error-free, nor does TE make any other representation, warranty or guarantee that the information is accurate, correct, reliable or current. TE reserves the right to make any adjustments to the information contained herein at any time without notice. TE expressly disclaims all implied warranties regarding the information contained herein, including, but not limited to, any implied warranties of merchantability or fitness for a particular purpose. The dimensions in this catalog are for reference purposes only and are subject to change without notice. Specifications are subject to change without notice. Consult TE for the latest dimensions and design specifications.