

## Inverted SMT Thru Board Connector

# Inverted SMT Thru Board Connector



## KEY FEATURES

- Available in 2,3,4,5 and 6 positions
- Accepts 2 thru 6 Position AMP Mini CT Connector
- Eliminates wire dress management issues with discreet wire leads around the surface of the LED pc board
- Custom length AMP Mini CT cable assemblies are available upon request
- Low profile design
- Rounded corners to minimize shadowing
- Connector is positioned through cutout or notch in pc board
- Surface mount hold downs provide stability during mating and unmating
- High temperature material for reflow processing
- Flat top surface allows for vacuum pick up
- Tape and reel packaging for high speed SMT processing
- RoHS compliant

## DESCRIPTION

The Inverted SMT Thru Board Connector provides a means to bring power to LED aluminum clad and FR4 boards from the underside of the pc board.

## APPLICATIONS

LED lighting controls

Indoor and outdoor lighting fixtures

General LED illumination fixtures

Various non-lighting applications that require wire dress connections below the pc board

## ELECTRICAL

Operating Voltage: 70VAC / 70VDC

Operating Current:

#24 AWG - 3A

#26 AWG - 2.5A

#28 AWG - 1.5A

## MATERIALS

Housing : 94 V0 rated high temperature resistant thermoplastic

Contacts : Tin over nickel plated copper alloy

## STANDARDS AND SPECS

**108-2376** : Inverted SMT Thru Board Product Specification

**114-13245** : Inverted SMT Thru Board Product Specification

**108-60025** : Mini CT Connector Product Specification

**114-5245** : Mini CT Connector Application Specification

**UL** : UL 1977 File No. E28476

## MECHANICAL

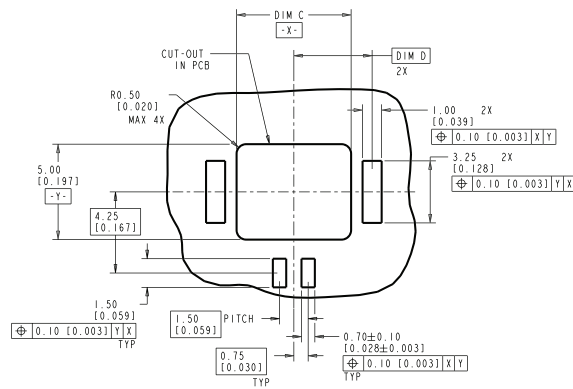
Operating Temperature : -40°C to +105°C

# Inverted SMT Thru Board Connector

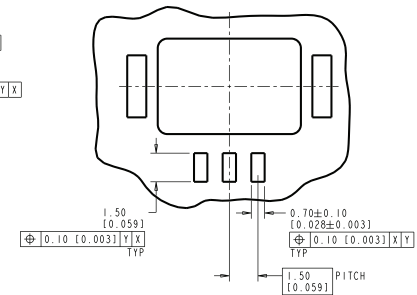
## PRODUCT OFFERING

Connector P/N	POSN	"A" DIM	"B" DIM	"C" DIM	"D" DIM	Mini CT Cable Assy P/N
2106091-1	2	5.5 [.216]	9.11 [.359]	6.00 [.236]	4.10 [.161]	2058943-1
2106091-2	3	7.00 [.275]	10.61 [.418]	7.50 [.295]	4.85 [.191]	2058943-2
2106091-3	4	8.50 [.335]	12.11 [.477]	9.00 [.354]	5.60 [.220]	2058943-3
2106091-4	5	10.00 [.394]	13.61 [.536]	10.50 [.413]	6.35 [.250]	2058943-4
2106091-5	6	11.50 [.453]	15.11 [.595]	12.00 [.472]	7.10 [.280]	2058943-5

### Even Position PCB Layout

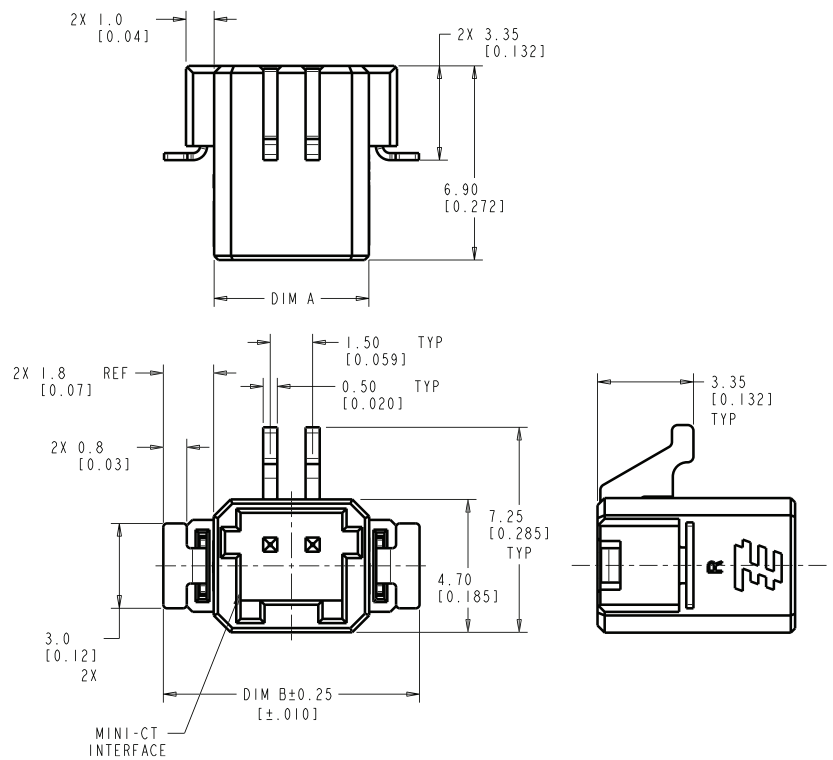
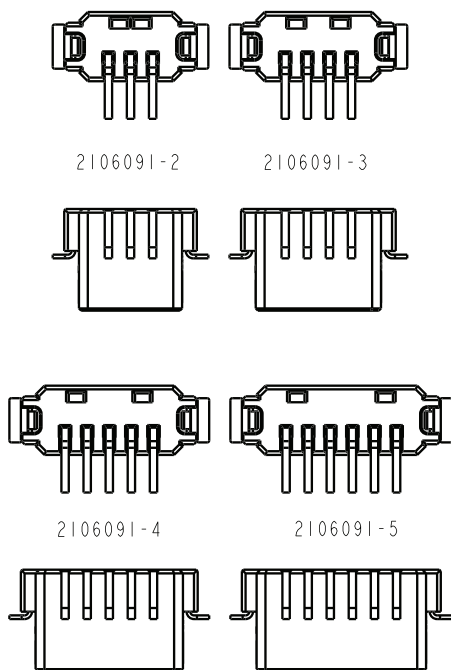


### Odd Position PCB Layout



For more information on mating AMP Mini CT products, please go to [www.te.com](http://www.te.com)  
keyword: AMP Mini CT

SCALE 4:1



## FOR MORE INFORMATION

[te.com/lighting](http://te.com/lighting)

### TE Technical Support Center

Internet: [te.com/help](http://te.com/help)  
USA: +1 (800) 522-6752  
Canada: +1 (905) 475-6222  
Mexico: +52 (0) 55-1106-0800  
Latin/S. America: +54 (0) 11-4733-2200  
Germany: +49 (0) 6251-133-1999  
UK: +44 (0) 800-267666  
France: +33 (0) 1-3420-8686  
Netherlands: +31 (0) 73-6246-999  
China: +86 (0) 400-820-6015

Part numbers in this brochure are RoHS Compliant\*, unless marked otherwise.

\*as defined [www.te.com/leadfree](http://www.te.com/leadfree)

### te.com

© 2011 Tyco Electronics Corporation, a TE Connectivity Ltd. Company. All Rights Reserved.  
7-1773453-0 CIS 10/2011

TE Connectivity and TE connectivity (logo) are trademarks. Other logos, product and/or company names might be trademarks of their respective owners.

---

While TE has made every reasonable effort to ensure the accuracy of the information in this brochure, TE does not guarantee that it is error-free, nor does TE make any other representation, warranty or guarantee that the information is accurate, correct, reliable or current. TE reserves the right to make any adjustments to the information contained herein at any time without notice. TE expressly disclaims all implied warranties regarding the information contained herein, including, but not limited to, any implied warranties of merchantability or fitness for a particular purpose. The dimensions in this catalog are for reference purposes only and are subject to change without notice. Specifications are subject to change without notice. Consult TE for the latest dimensions and design specifications.

