

LUMAWISE ENDURANCE N ENHANCED BASE



LUMAWISE Endurance N Photo Control Cover
 TE Part Number:
1-2306130-1 (Shown)

OEM Designed Solution

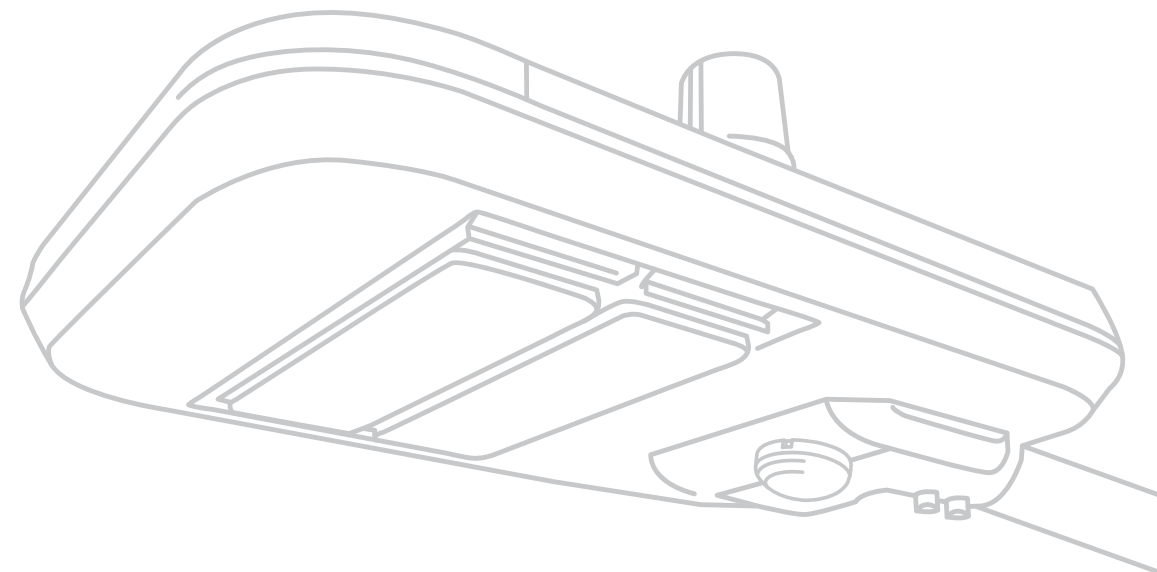
Cable Assemblies
 TE Part Number:
2318044-1 **292207-7**
2318043-1 **292207-3**
2318043-2

LUMAWISE Endurance N Base & Enhanced Base
 TE Part Number:
2314786-1 **1-2314786-1**
2314786-2 **1-2314786-2**

LUMAWISE Endurance N Dimming Receptacle
 TE Part Number:
2213362-4
 (Standard Dimming Receptacle)
2213469-1
 (Gasket)
2213627-4
 (Rotatable Dimming Receptacle)
2213626-1
 (Gasket)

ADDITIONAL TE CONNECTIVITY PRODUCTS TO ENABLE OUTDOOR LIGHTING CONTROL SOLUTIONS:

- SCHRACK and Potter & Brumfield Relays
- Antennas
- CT, Mini-CT & Micro-MaTch Wire-to-Board
- AMPMODU Stacking Headers Board-to-Board
- Passives
- Identification Labels



Visit te.com/EnhancedBase for more information