



LUMAWISE MOTION SENSOR LOGIC OUTPUT

Streetlighting Motion Sensor

The LUMAWISE Motion Sensor Logic Output is an analog version of TE Connectivity (TE)'s popular LUMAWISE Motion sensor designed for streetlighting. When paired with a Networked Lighting Controller, NLC (not included), enables energy savings from dimming the luminaire, while still being able to react to motion and bring a luminaire to a higher brightness for safety and security reasons.

LUMAWISE Motion Sensor Logic Output is powered from a NLC and will provide it with a high signal upon detecting motion. In turn the NLC can then send the appropriate 0-10V signal to a driver, controlling the light output. The device also has the capability to provide the NLC with analog ambient light measurements.

BENEFITS

- Add motion sensing to your analog architecture, via a NLC and downwards facing interface
- Detected motion will cause a dimmed luminaire to brighten allowing for energy savings while still having the safety and security of a well-lit area
- Market leading detection zone. From either a rectangular or circular detection zone
- Pluggable device via the 'Z10' interface

LUMAWISE MOTION SENSOR LOGIC OUTPUT

FEATURES

- Logic output voltage is the same as input voltage for 1 second minimum (voltage drop 1.5Vdc maximum)
- 30mx6m rectangular detection zone (@5m height)
- Ø13m circular detection zone (@5m height)
- Ambient light measurement range: 0-2000lux (wider or narrower range possible upon request)
- Ambient light signal output: logarithmic analog, 0.17-3.14V
- Tested on poles from 5 to 12m high
- PIR motion detection technology
- Detects pedestrians, wheelchair users, runners and cyclists
- Masks available for self-defined detection zone
- Lighting control of the driver from additional NLC
- IP66, IP68 and IK07
- -40°C to 65°C operating temperature range
- -40°C to 32°C and 40°C to 65°C functional detection temperature range. Between 32°C to 40°C a permanent high signal is given
- Pin out:
 - 1: DC+
 - 2: DC-
 - 3: Ambient light measurement analog
 - 4: Motion logic output

APPLICATIONS

- Street and area lighting
- Cycle and walkway lighting
- Parking lots and garages
- Car dealerships
- High bay lighting

PRODUCT INFORMATION

Part number	Part description
2445583-1	LUMAWISE Motion Sensor Logic Output: Rectangular detection zone
1-2445583-1	LUMAWISE Motion Sensor Logic Output: Circular detection zone
2396399-1	LUMAWISE Motion Sensor Mask

MECHANICAL

- Height: 42.0mm
- Diameter: 79.7mm

ELECTRICAL

- 50mW average power consumption, <30mA average during startup
- Input voltage range: 10Vdc to 24Vdc ±10%

MATERIALS

- Dome: HDPE and polycarbonate
- Base: PBT

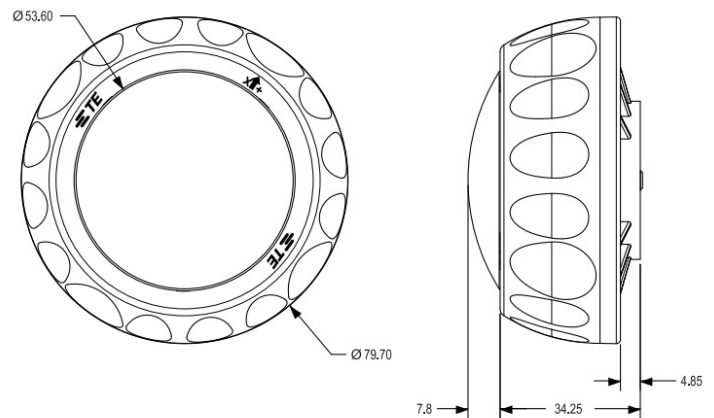
STANDARDS

- UL773

SPECIFICATIONS

- Application spec: 114-160647
- Product spec: 108-160647

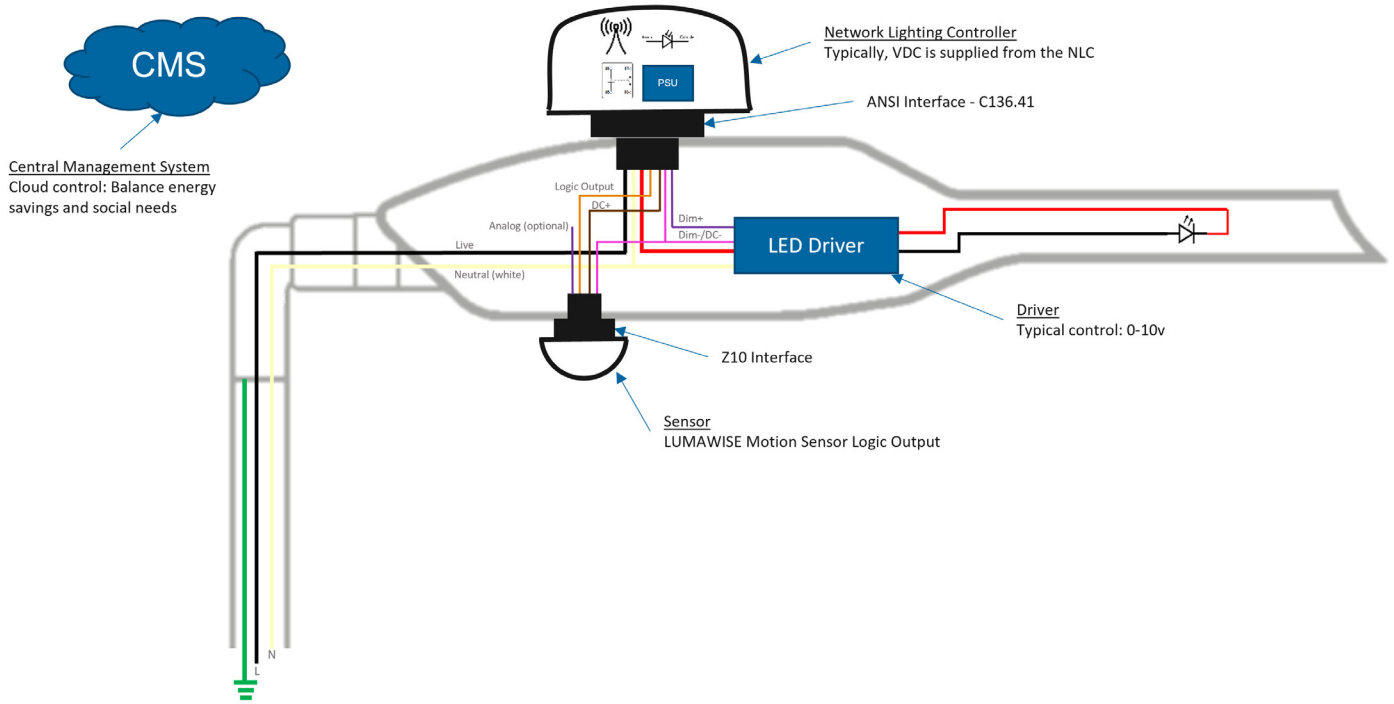
PRODUCT DIMENSIONS



All dimensions are in mm

LUMAWISE MOTION SENSOR LOGIC OUTPUT

WIRING ARCHITECTURE

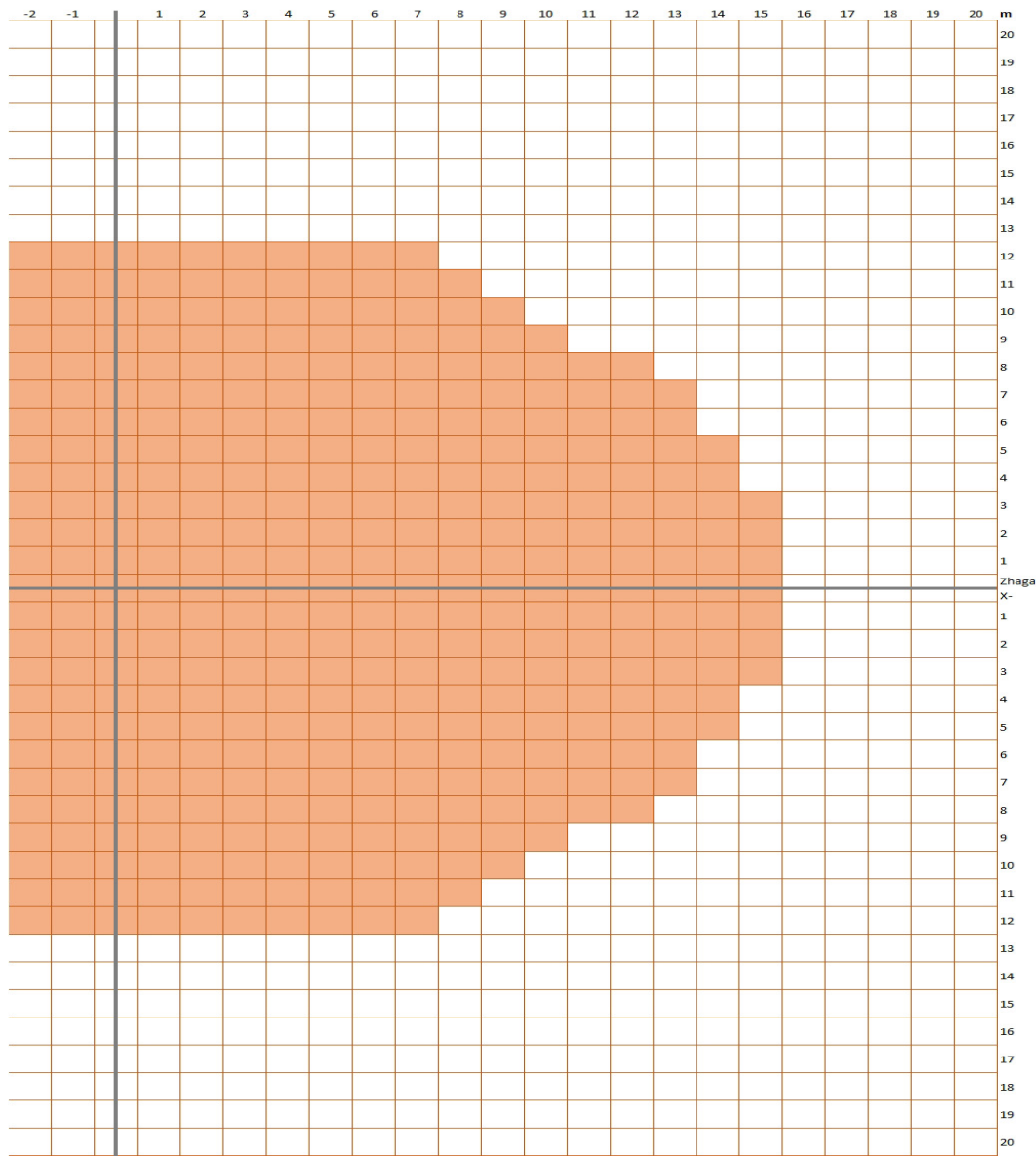


LUMAWISE MOTION SENSOR LOGIC OUTPUT

DETECTION DIAGRAMS

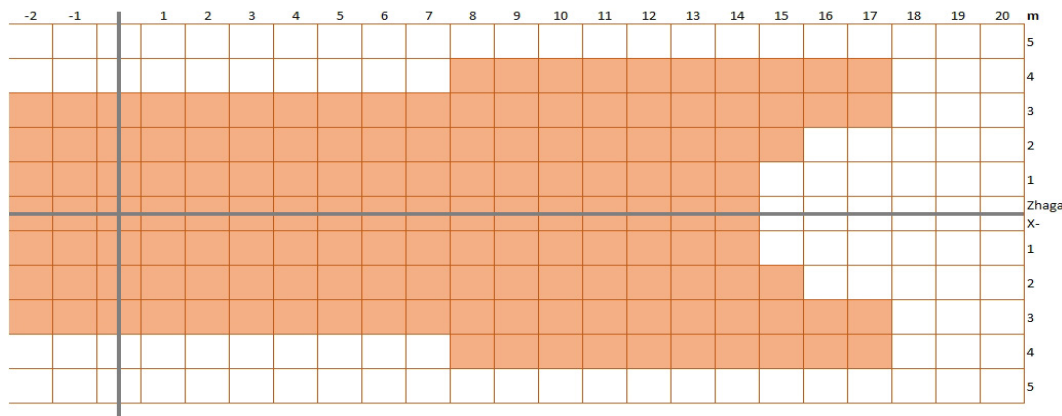
Market Leading Detection Zone

TYPICAL DETECTION DIAGRAM AT 5M MOUNTING HEIGHT



Circular Detection Zone

Only one half of detection zone shown



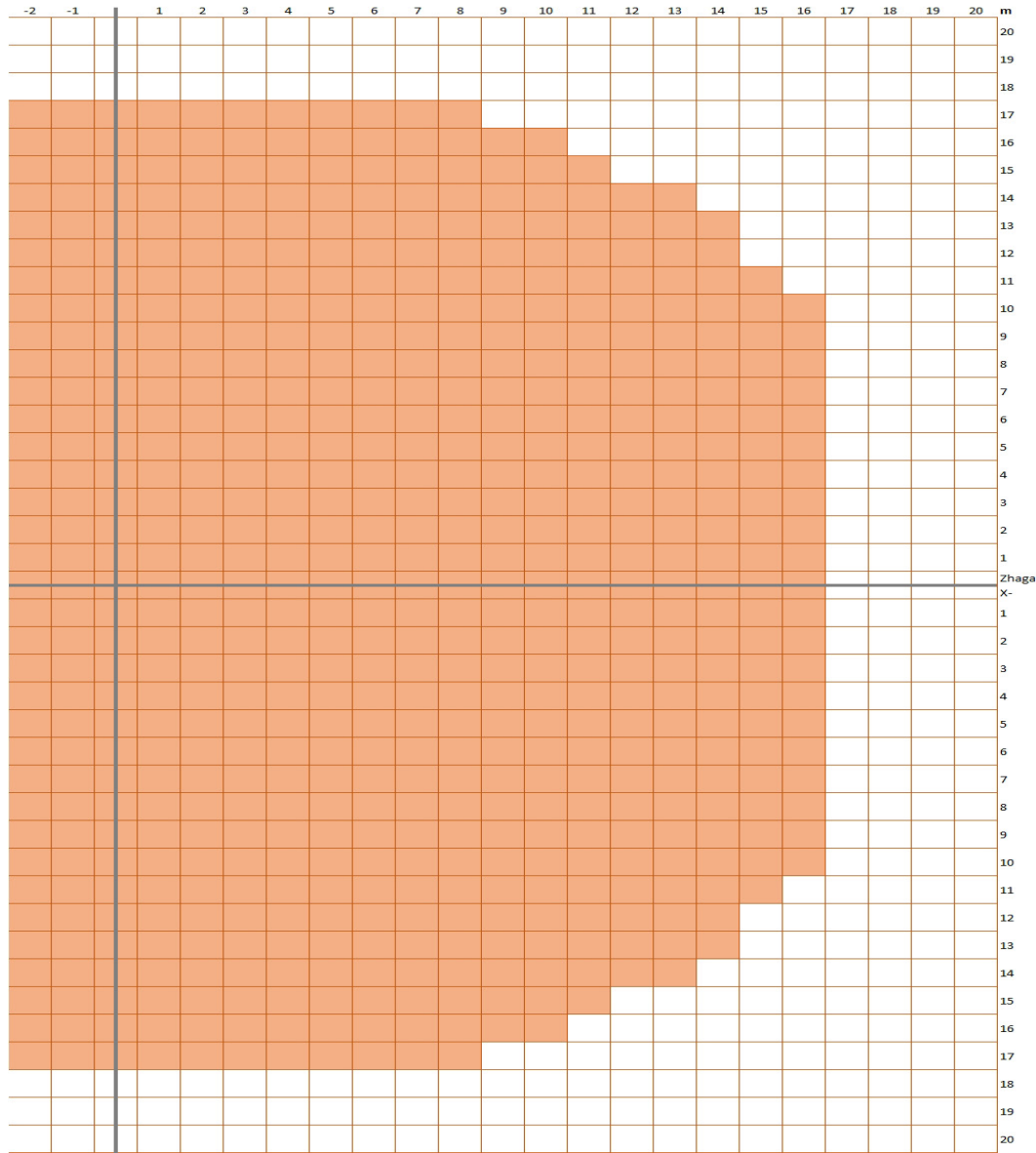
Rectangular detection Zone

Only one half of detection zone shown

LUMAWISE MOTION SENSOR LOGIC OUTPUT

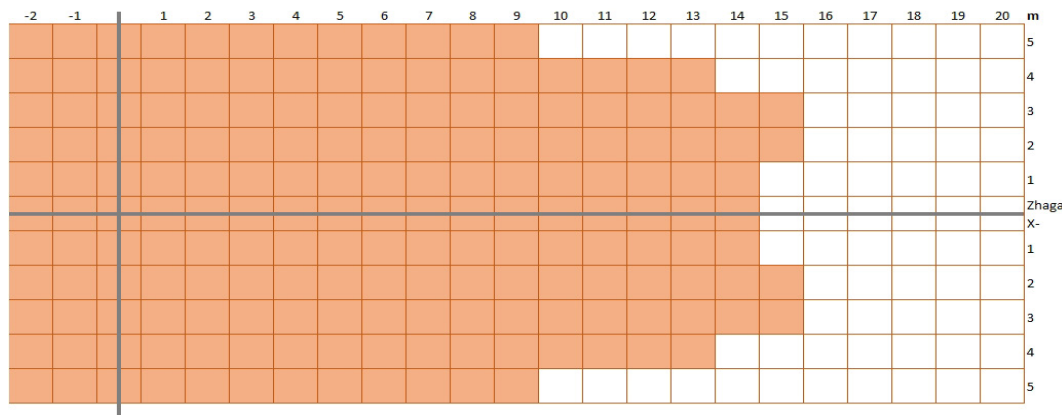
Market Leading Detection Zone

TYPICAL DETECTION DIAGRAM AT 8M MOUNTING HEIGHT



Circular Detection Zone

Only one half of detection zone shown



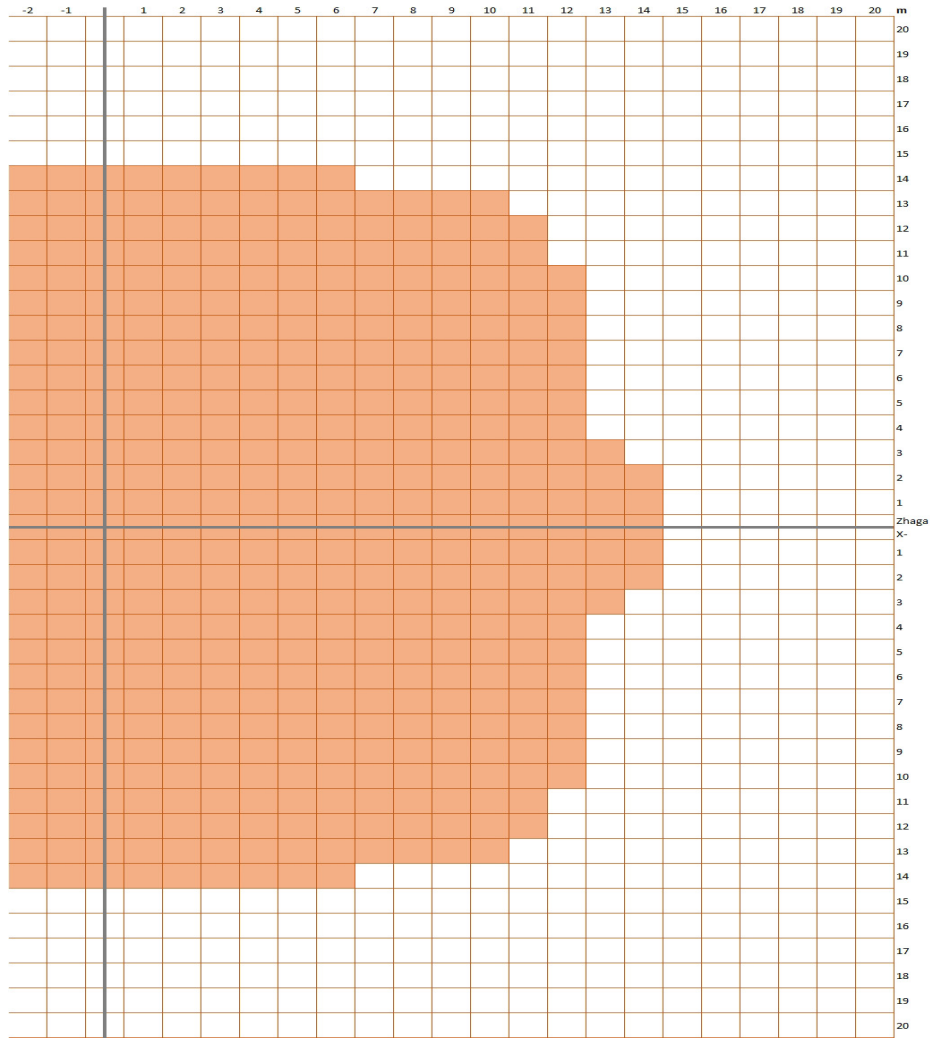
Rectangular detection Zone

Only one half of detection zone shown

LUMAWISE MOTION SENSOR LOGIC OUTPUT

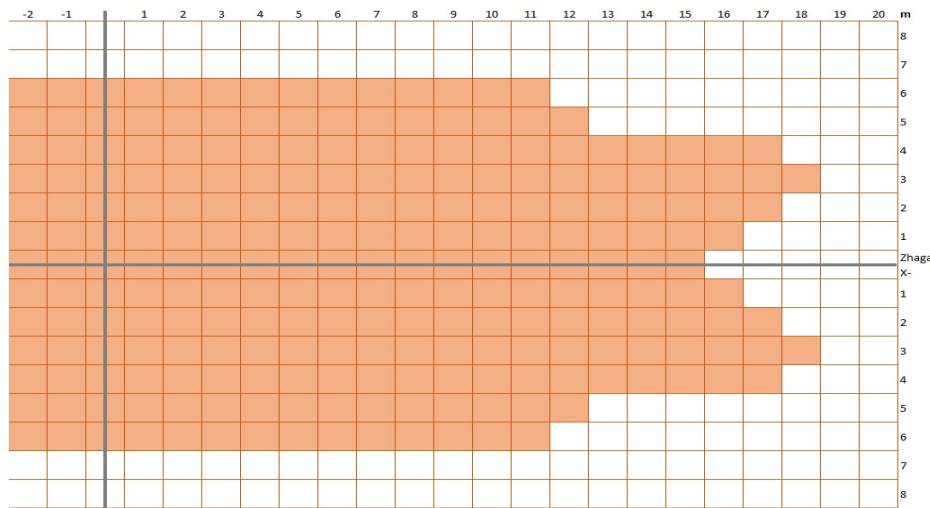
Market Leading Detection Zone

TYPICAL DETECTION DIAGRAM AT 12M MOUNTING HEIGHT



Circular Detection Zone

Only one half of detection zone shown



Rectangular detection Zone

Only one half of detection zone shown

LUMAWISE MOTION SENSOR LOGIC OUTPUT

te.com

© 2023 TE Connectivity. All Rights Reserved.

LUMAWISE, TE Connectivity, TE connectivity (logo) and Every Connection Counts are trademarks owned or licensed by TE Connectivity. All other logos, products and/or company names referred to herein might be trademarks of their respective owners.

While TE has made every reasonable effort to ensure the accuracy of the information in this brochure, TE does not guarantee that it is error-free, nor does TE make any other representation, warranty or guarantee that the information is accurate, correct, reliable or current. TE reserves the right to make any adjustments to the information contained herein at any time without notice. TE expressly disclaims all implied warranties regarding the information contained herein, including, but not limited to, any implied warranties of merchantability or fitness for a particular purpose. The dimensions in this catalog are for reference purposes only and are subject to change without notice. Specifications are subject to change without notice. Consult TE for the latest dimensions and design specifications.

12/23 AK