

# LUMAWISE Z45 LED HOLDERS

TE Connectivity (TE) introduces the new LUMAWISE Z45 LED Holder to our broad offering of LUMAWISE LED holders for chip-on-board (COB) LEDs. The Z45 LED holder is TE's next generation LED holder using a high strength, highly reflective and halogen free housing material. It carries over from previous TE holders adhesive tape and poke-in wire connections for fast and easy assembly of the COB LEDs into the luminaire without the need for a clamping system. A standard 35mm screw pitch enables the use of standard heatsink drilling and mounting procedures, and a 120 degree optic angle incorporated to the housing of the Z45 holder keeps light loss to a minimum. TE's LUMAWISE Z45 LED Holders enable compliance to the Zhaga book 3 standard and are compatible with other Zhaga LED lighting components.



## APPLICATIONS

- Spot Lights
- Track Lights
- General Lighting
- Downlights
- Street Lights
- Horticultural Lighting

## ELECTRICAL

- **Current:** 3A (Maximum)
- **Voltage:** 60V DC (Maximum)

## MECHANICAL

- Operating temperature range from -40°C to 105°C
- Utilize a screw size of #4 or M3 for attachment
- Poke-in style electrical contacts supporting 18-22 AWG (0.35 - 0.75mm<sup>2</sup>) solid, fused and stranded wire
- Enable compliancy to Zhaga book 3 standard

## MATERIAL

- Halogen free highly reflective PBT
- Copper alloy contact with gold plating

## APPLICATIONS AND SPECIFICATIONS

- **Standards:** UL8574  
IEC 60838-2-2
- **Application Specification:** 114-133107

## Key Benefits

- Quick and easy assembly of the COB LEDs in the luminaire
- Optics close to light emitting area
- Minimal light loss with 120° optic angle
- Simplified interchangeability between LEDs (comform to Zhaga standards)

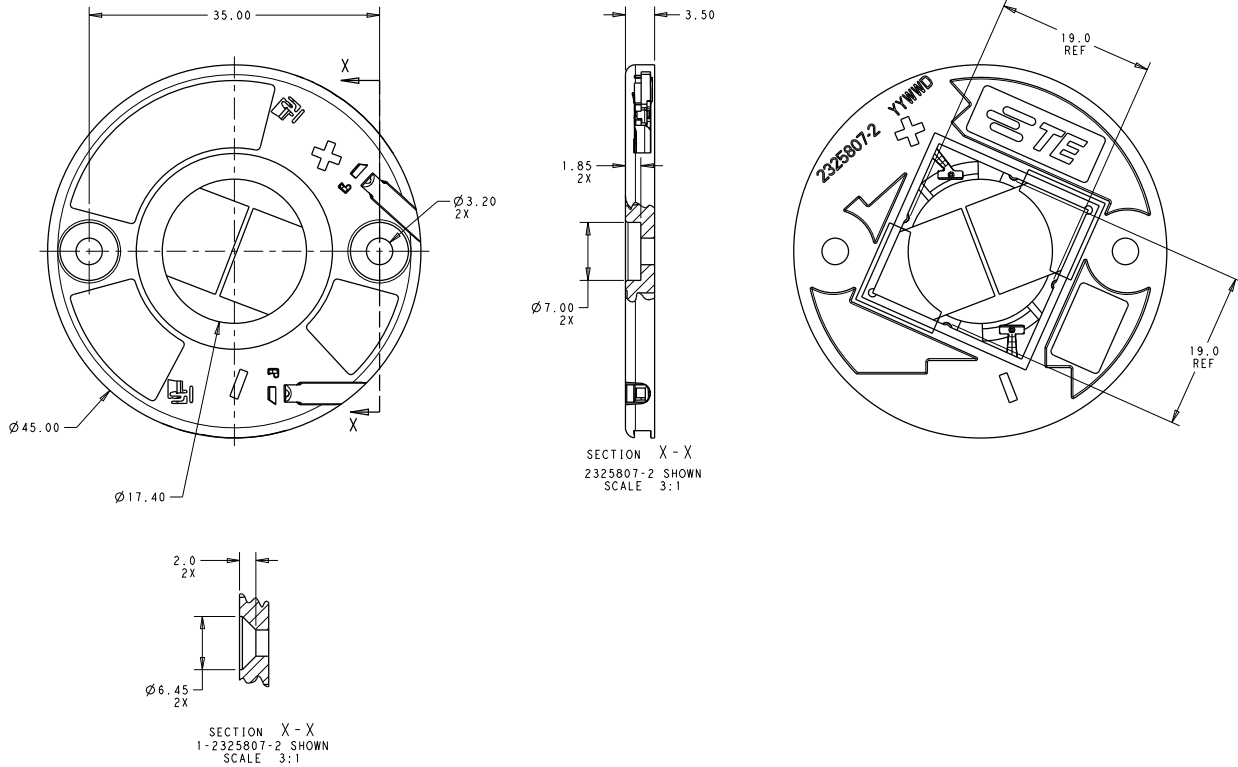
## KEY FEATURES

- Low profile
- Poke-in contact
- Halogen free
- Highly reflective
- LED-clamping
- High COB-board size tolerance
- Even distribution of pressure from LED across the heatsink

PRODUCT OFFERING

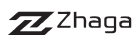
Part Number	COB size (mm)	Description	LED Layout
<a href="#">2325807-2</a>	19X19	Pan head screw	A
<a href="#">1-2325807-2</a>	19X19	Countersink head screw	A
<a href="#">2325807-3</a>	19X19	Pan head screw	B
<a href="#">1-2325807-3</a>	19X19	Countersink head screw	B
<a href="#">2325811-2</a>	20X24	Pan head screw	A
<a href="#">1-2325811-2</a>	20X24	Countersink head screw	A
<a href="#">2325811-3</a>	20X24	Pan head screw	B
<a href="#">1-2325811-3</a>	20X24	Countersink head screw	B

PRODUCT DIMENSIONS



PRODUCT SELECTION INFORMATION

LED MFG	LED NAME	LED MODEL	PAN HEAD SCREW P/N	COUNTERSINK SCREW P/N
BRIDGELUX	V13	GEN 7	<a href="#">2325807-2</a>	<a href="#">1-2325807-2</a>
CITIZEN	CLU, CLL	CLL032 CLU034 CLU036 CLU038 CLU720 CLU721	<a href="#">2325807-3</a>	<a href="#">1-2325807-3</a>
		CLU710 CLU711	<a href="#">2325807-2</a>	<a href="#">1-2325807-2</a>
EDISON OPTO	EDIPOWER	HE CR180 SERIES HE CR190 SERIES HW CR180 SERIES HW CR190 SERIES	<a href="#">2325807-3</a>	<a href="#">1-2325807-3</a>
	EDIPOWER	SL SERIES	<a href="#">2325807-3</a>	<a href="#">1-2325807-3</a>
EVERLIGHT		EAHP1919	<a href="#">2325807-2</a>	<a href="#">1-2325807-2</a>
LEXTAR	COB SERIES	PB16H PB16U PB19H PB19U PB26H PB26U	<a href="#">2325807-3</a>	<a href="#">1-2325807-3</a>
LUMINUS	SENSUS	CHM-14(AC10) CXM-14 CXM-11-AC00 CHM-14(AC00) CLM-14 GEN 3 CXM-11-XH00	<a href="#">2325807-3</a>	<a href="#">1-2325807-3</a>
		CXM-11	<a href="#">2325807-2</a>	<a href="#">1-2325807-2</a>
OSRAM	SOLERIO	S13	<a href="#">2325807-2</a>	<a href="#">1-2325807-2</a>
SAMSUNG	D-SERIES	LC016D LC019D	<a href="#">2325807-2</a>	<a href="#">1-2325807-2</a>
SEOUL SEMI	ZC	SDWX3FIC SDWX2FIA	<a href="#">2325807-2</a>	<a href="#">1-2325807-2</a>
TRIDONIC	MODULE SLE ESSENCE	SLE G6 SNC	<a href="#">2325807-2</a>	<a href="#">1-2325807-2</a>
EVERLIGHT		EAHP2024	<a href="#">2325811-2</a>	<a href="#">1-2325811-2</a>
LUMILEDS	LUMILEDS	1204	<a href="#">2325811-2</a>	<a href="#">1-2325811-2</a>
		1205	<a href="#">2325811-2</a>	<a href="#">1-2325811-2</a>
		1208	<a href="#">2325811-2</a>	<a href="#">1-2325811-2</a>
		1204CRSP	<a href="#">2325811-2</a>	<a href="#">1-2325811-2</a>
		1205CRSP	<a href="#">2325811-2</a>	<a href="#">1-2325811-2</a>
		1208CRSP	<a href="#">2325811-2</a>	<a href="#">1-2325811-2</a>
		1204 GEN 3	<a href="#">2325811-2</a>	<a href="#">1-2325811-2</a>
		1205 GEN 3	<a href="#">2325811-2</a>	<a href="#">1-2325811-2</a>
SHARP	MEGA ZENIGATA	GW5DGC**M04	<a href="#">2325811-2</a>	<a href="#">1-2325811-2</a>
	"MEGA TUNEABLE WHITE "	GW6TGBJC50C 2	<a href="#">2325811-2</a>	<a href="#">1-2325811-2</a>



TE Connectivity is a participating member of the Zhaga Consortium, an industry-wide cooperation enabling the interchangeability of LED light sources and simplifying LED applications for general lighting.

te.com

© 2018 TE Connectivity. All Rights Reserved. TE, TE Connectivity, and the TE connectivity (logo) are trademarks of the TE Connectivity Ltd. family of companies. Other logos, product and Company names mentioned herein may be trademarks of their respective owners.

While TE has made every reasonable effort to ensure the accuracy of the information in this brochure, TE does not guarantee that it is error-free, nor does TE make any other representation, warranty or guarantee that the information is accurate, correct, reliable or current. TE reserves the right to make any adjustments to the information contained herein at any time without notice. TE expressly disclaims all implied warranties regarding the information contained herein, including, but not limited to, any implied warranties of merchantability or fitness for a particular purpose. The dimensions in this catalog are for reference purposes only and are subject to change without notice. Specifications are subject to change without notice. Consult TE for the latest dimensions and design specifications.

1-1773948-5 SL 04/2018

