



## MINI AMP-IN TERMINALS & CONNECTORS QUICK REFERENCE GUIDE

Board-in printed circuit board (PCB) terminals and low profile gang insertion wire-to-board connectors designed for space efficient PCB assembly

---

# MINIATURE AMP-IN TERMINALS

The miniature AMP-IN terminal is designed not as an electrical terminal but as a mechanical holding device to enhance soldering of hookup wires to printed circuit boards. The combination of terminal and application tooling eliminates costly manual preparation of wires prior to soldering, and positions the wire to achieve reliable solder joints. Movement of the wire during soldering is restricted, assuring proper solder flow.

## PRODUCT FEATURES

- Terminal locking lance holds wire in PCB for flow soldering
- Insulation support provides strain relief for wire and protection of solder joint
- Available for 26-10 AWG [0.15-5.5mm<sup>2</sup>]
- Type A terminals will provide both a positive board stop and positive insulation stop
- More secure supply-chain ensures reliable product availability

## PRODUCT SPECIFICATIONS

- [108-1081](#) Contact, AMP-IN, Miniature
- [108-106642](#) Mini AMP-IN Contacts, Type F

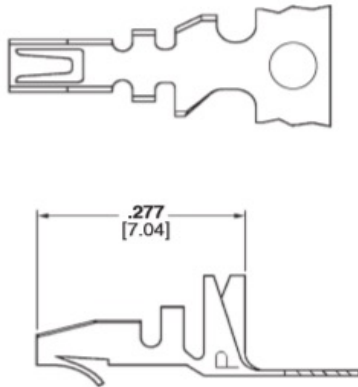
## APPLICATION SPECIFICATIONS

- [114-1016](#) Mini AMP-IN Contacts
- [114-106642](#) Mini AMP-IN Contacts, Type F

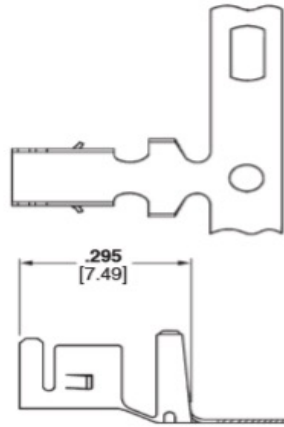
## CERTIFICATIONS & COMPLIANCE

- UL\_E13288\_20220718 (For Mini AMP-IN Contacts, Type F)
- ROHS, REACH compliance

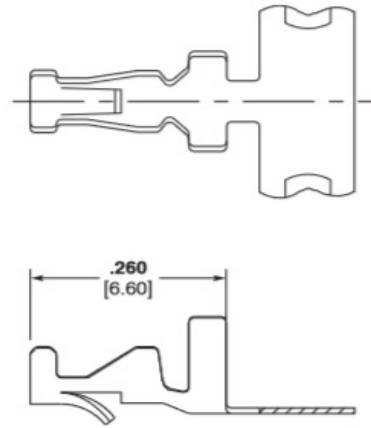




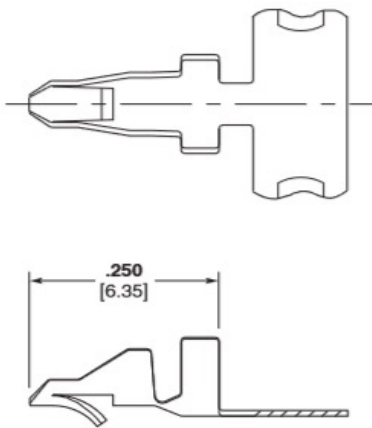
**TYPE A**  
 PROVIDE BOTH A POSITIVE BOARD  
 STOP AND POSITIVE INSULATION STOP



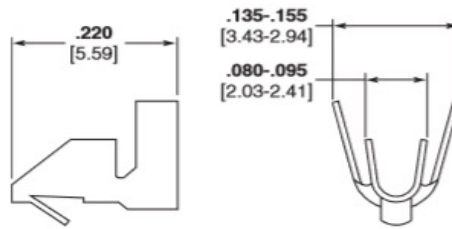
**TYPE B**



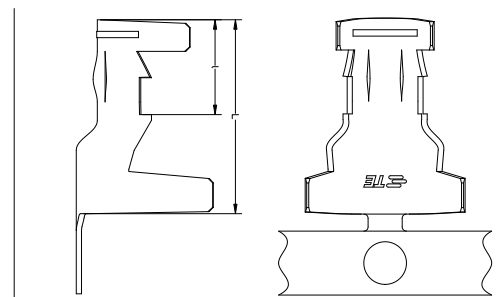
**TYPE C**



**TYPE D**



**TYPE E**



**TYPE F**

PN	L(mm/in.)	l(mm/in.)
2393237	9.2/.362	4.5/.177
2393227	8.3/.327	4.4/.173
2393222	8.3/.327	4.3/.169
2393199	7.6/.299	4.1/.161
2393261	7.6/.299	4.1/.161

## MINIATURE AMP-IN TERMINALS

Type	Wire size Range		Insulation Diameter (mm)	Board Hole Diameter (mm)	Extension Below Board (mm)	Terminal Part Nos. (Strip Form)
	AWG	mm <sup>2</sup>				
A	22-18	0.3-0.9	1.52-2.79	1.83±0.08	2.54	3-794121-1
	26-22	0.12-0.4	1.02-2.79	1.40±0.10	2.54	3-794122-1
B	18-14	0.80-2.0	2.29-3.81	3.18±0.08	3.18	3-770060-1
	12	3	2.29-3.81	3.18±0.08	3.18	3-794013-1
	12	3	5.08	3.18±0.08	3.18	3-794037-1
	10	5.5	5.08	3.76 ±0.08	3.18	3-794037-1

Type	Wire size Range		Insulation Diameter (mm)	Board Hole Diameter (mm)	Extension Below Board (mm)	Terminal Part Nos. (Strip Form)
	AWG	mm <sup>2</sup>				
C	22-18	0.4-0.8	1.52-2.79	1.85±0.10	2.54	3-640311-1
	26-22	0.15-0.4	1.02-2.54	1.40±0.10	2.54	3-640401-1
D	22-18	0.4-0.8	1.52-2.79	1.85±0.10	3.18	3-350566-1
	26-22	0.15-0.4	1.52-2.54	1.40±0.10	3.43	3-640108-1
	26-22	0.15-0.4	1.02-1.78	3.18±0.08	3.18	3-640663-1
D	22-18	0.4-0.8	1.52-2.79	1.85±0.10	3.18	350566-7
D	26-22	0.15-0.4	1.02-1.52	1.28 ± 0.08	2.5	925819-3
D	22-18	0.4-0.8	1.52-2.79	1.85±0.10	3.18	350566-3
E	22-18	0.8-0.4	1.52-2.79	1.83±0.08	2.29	3-770565-2
E	22-18	0.8-0.4	1.52-2.79	1.83±0.08	2.29	3-770565-1
F	26-22	0.14-0.34	1.02-2.5	1.85±0.05	2.35	2393261-1
F	22-18	0.34-0.85	1.5-3.0	1.85±0.05	2.35	2393199-1
F	18-16	0.85-1.32	2.8-3.4	2.40±0.05	2.55	2393222-1
F	14	2.08	3.4-3.8	2.55±0.05	2.65	2393227-1
F	12	3.29	4.0-4.2	3.55±0.05	2.75	2393237-1

# LOW PROFILE MINIATURE AMP-IN CONNECTORS

Low profile Miniature AMP-IN connectors provide an easy means of gang inserting leads into printed circuit boards (PCBs). The design of the crimp snap-in contact aids in locating the PCB hole and inserting the contact into that hole. The low profile housing allows compactness of leads while providing insulation between them to prevent short-circuits.

## PRODUCT FEATURES

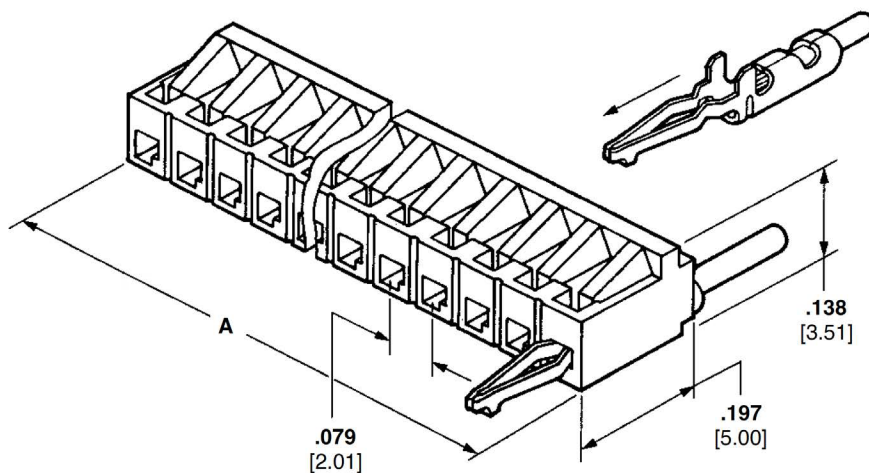
- Connector housing provides gang insertion into PCB
- Housing insulates and provides short-circuit protection between contacts
- Low mating height with .200in. [5.08mm] low profile design
- Housings are available in 2 thru 15 positions for .079in. [2.01mm] and 2 thru 20 for .098in. [2.49mm] centerline spacing
- Contacts available for 30-26 AWG [0.05-0.15mm<sup>2</sup>] and 26-22 AWG [0.15-0.4mm<sup>2</sup>]

## PRODUCT SPECIFICATIONS

- [108-5163](#) Low Profile, Mini AMP-IN Header, Crimp Type

## APPLICATION SPECIFICATIONS

- [114-5062](#) Crimping of Mini AMP-IN Terminals





## LOW PROFILE MINIATURE AMP-IN CONNECTORS

### TERMINALS

Wire Size Range		Insulation Diameter (mm)	Hole Diameter (mm)	Material and Finish	Contact Part No. (Strip Form)	Hand Tool Part Nos.
AWG	mm <sup>2</sup>					
30-26	0.05-0.15	1.10-1.40	1.00	Brass / Tin	172781-4	755405-1
26-22	0.15-0.4	1.40-1.50	0.80	Brass / Tin	172782-5	755405-1
		1.40-1.50	1.00	Brass / Tin	172782-7	

### HOUSINGS

No of Positions	2mm Centerline		2.5mm Centerline	
	A (mm)	Part Nos.	A (mm)	Part Nos.
2	4.80	172890-2	5.99	172520-2
3	6.81	172890-3	8.51	172520-3
4	8.79	172890-4	11.00	172520-4
5	10.80	172890-5	13.51	172520-5
6	12.80	172890-6	16.00	172520-6
7	14.81	172890-7	18.52	172520-7
8	16.79	172890-8	21.01	172520-8
9	18.82	172890-9	23.52	172520-9
10	20.83	1-172890-0	26.01	1-172520-0
11	-	-	28.52	1-172520-1
12	24.82	1-172890-2	31.01	1-172520-2
13	-	-	33.53	1-172520-3
14	-	-	36.02	172520-4
15	30.84	1-172890-5	38.53	1-172520-5
20	-	-	51.05	2-172520-0

### te.com

TE Connectivity, TE, TE connectivity (logo) and AMP-IN are trademarks owned or licensed by the TE Connectivity Ltd. family of companies. All other logos, products and/or company names referred to herein might be trademarks of their respective owners.

While TE has made every reasonable effort to ensure the accuracy of the information in this brochure, TE does not guarantee that it is error-free, nor does TE make any other representation, warranty or guarantee that the information is accurate, correct, reliable or current. TE reserves the right to make any adjustments to the information contained herein at any time without notice. TE expressly disclaims all implied warranties regarding the information contained herein, including, but not limited to, any implied warranties of merchantability or fitness for a particular purpose. The dimensions in this catalog are for reference purposes only and are subject to change without notice. Specifications are subject to change without notice. Consult TE for the latest dimensions and design specifications.

© 2023 TE Connectivity. All Rights Reserved.

07/23