

T5+ BENCHTOP TERMINATOR

Product Brochure

T5+ BENCHTOP TERMINATOR

TE Connectivity's (TE) new T5+ benchtop terminator is an enhanced next-generation version of the T5 benchtop terminator. While the T5+ maintains the same compact design and footprint as the T5, it delivers a generational leap in performance and capabilities, making it a suitable choice for customers seeking advanced features and enhanced versatility.

The T5+ retains the simplicity and cost-effectiveness of the T5, making it a reliable solution for low to high-volume wire processing. However, it introduces advanced enhancements like the **Split cycle** feature, **air feed capabilities**, and a wider wire range, catering to both legacy and new air feed applicators. These improvements provide increased flexibility and superior quality performance for diverse applications. The T5+ also supports optional features like the **CQM Lite** for enhanced quality monitoring, adding even more value to its offerings.

Whether you're looking for the simplicity of the T5 or the superior functionality of the T5+, TE Connectivity has a solution tailored to meet your needs—all while maintaining the same reliable design and ease of use.



Enhanced High-Performance Machine



Cost Effective



Small Manufacturing Footprint

Key Features	Benefits
Enhanced High-Performance Machine	<ul style="list-style-type: none"> • Compact H frame design with enhanced reliability • Split cycle feature to confirm terminal capturing or close barrel applications • Standard air feed kit capable of running air feed applicators • Simplified Motor Ram Controller for streamlined and precise applicator terminal feed adjustments • Enhanced guarding for closer alignment, suited for smaller lead wires in the crimp processing area • Real-time crimp by crimp quality measuring/monitoring
Cost Effective	<ul style="list-style-type: none"> • Competitive lower price point • Easy setup and minimal training for operators, enabling smooth operation from start to finish • Reduced manufacturing cost per sq foot
Small Manufacturing Footprint	<ul style="list-style-type: none"> • Lightweight design - no special mounting tabling required • Increased operational efficiency using less floor space • No need for special electrical connections

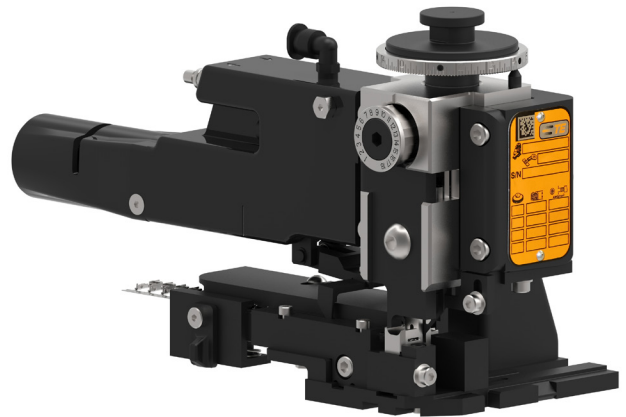
Industries

- Automotive
- Industrial & Commercial Transportation
- Aerospace Defense & Marine
- Appliances
- Industrial

Applications

- Auto Wire and High Voltage Application (max 10 AWG)
- Auto Standard Small to Mid-Size AWG Applications
- Data Connectivity Applications (Infotainment, Systems, Safety & In-vehicle networks)
- Small Home Appliances, Dishwashers and Dryers
- Power Distribution Harnesses
- Heavy Machinery, Autonomous Farm Tractors
- Motor Connections

COMPATIBLE WITH ALL TE OCEAN APPLICATORS AND COMPETITORS' APPLICATORS FOR ENHANCED PERFORMANCE



Technical Details

Specifications	
Force Capacity	22kN [4,500lbs]
Wire Cross Section	0.03 - 6 mm ² (32 - 10 AWG)
Electrical Supply	100 - 240 VAC, ± 10% AC, 50/60 Hz, Single phase
Air	Pneumatic 620-760 kPa [90-100 psi] for air feed applicators and/ closed barrel applications

Optional Accessory: Crimp Quality Monitor



Crimp Quality Monitor (CQM Lite) : Enhancement Features

- 4.3" Capacitive Touch Screen
- Two Force Based Crimp Analysis Methods - Peak Force and Point-to-Point
- Uses Piezo Frame Sensor for Crimp Force Measurement
- Crimp Heights are Repeatable Within 0.12 mm
- One Gain Crimp and Five Learn Crimps to Setup Crimp Process
- Foot Pedal Disabled until Failed Crimp has been Acknowledged
- Sample Screen for Performing Applicator Setup
- Software Updates through Micro USB Port
- 24VDC Power Supply Included

Ordering Information

Part Number	Part Description
2497000-1	TERMINATOR, BENCH, TE T5+ - North America
2497000-2	TERMINATOR, BENCH, TE T5+ - EMEA
2497000-3	TERMINATOR, BENCH, TE T5+ - UK
2497000-4	TERMINATOR, BENCH, TE T5+ - Japan
2497000-5	TERMINATOR, BENCH, TE T5+ - China
2492000-1	TERMINATOR, BENCH, TE T5+ with CQM - North America
2492000-2	TERMINATOR, BENCH, TE T5+ with CQM - EMEA
2492000-3	TERMINATOR, BENCH, TE T5+ with CQM - UK
2492000-4	TERMINATOR, BENCH, TE T5+ with CQM - Japan
2492000-5	TERMINATOR, BENCH, TE T5+ with CQM - China

Connect With Us

Our tooling is supported by an established, experienced, and responsive field service organization. TE Connectivity field engineers are located worldwide and are available to assist with on-site and remote service; selection and installation of new equipment; training; and technical support. Service agreements are available to provide protection and support for all your application tooling equipment.

Contact Us

Phone:

Americas 1-800-722-1111

EMEA 49-6151-607-1518

APAC 86-021-3325-9030

Tooling Portfolio: tooling.te.com

Field Service: te.com/fieldservice

te.com

TE, TE Connectivity, TE connectivity (logo), and EVERY CONNECTION COUNTS are trademarks owned or licensed by the TE Connectivity plc family of companies. Other product names, logos, and company names mentioned herein may be trademarks of their respective owners.

The information given herein, including drawings, illustrations and schematics which are intended for illustration purposes only, is believed to be reliable. However, TE Connectivity makes no warranties as to its accuracy or completeness and disclaims any liability in connection with its use. TE Connectivity's obligations shall only be as set forth in TE Connectivity's Standard Terms and Conditions of Sale for this product and in no case will TE Connectivity be liable for any incidental, indirect or consequential damages arising out of the sale, resale, use or misuse of the product. Users of TE Connectivity products should make their own evaluation to determine the suitability of each such product for the specific application.

©2025 TE Connectivity. All Rights Reserved.

02/25